

ROPEWAYS AND RAPID TRANSPORT
SYSTEM DEVELOPMENT CORPORATION H.P. LIMITED (RTDC)

Notice
INVITATION FOR BIDS (IFB)

The Chief General Manager, RTDC on behalf of Governor of H.P invites the bids offline on item rate tender in **two Cover System** for the under mentioned work from the eligible and approved contractors/Firms registered with HPPWD Department.

Sr. No	Name of Work	Estimated Cost (INR)	EMD (INR)	Cost of Tender (INR)	Eligible class of Contractor	Time for completion
1	Construction of Sheep Shed (240 sheep capacity) with associated structures in ram centre at Sheep Development Farm Nagwai Distt. Mandi (H.P.). (SH:- C/o Approach road, Sheep Shed, Chaff Shed, Shearing Shed, Grass Shed and site development etc.)	112.36 lacs	1.50 lacs	5000/-	A/B	6 Months

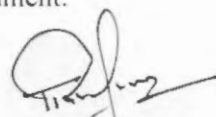
Availability of Bid Document and mode of submission: The Bid document is available on website <https://himachal.nic.in/transport>. The interested bidders may download the bid documents from Transport Department Himachal Pradesh website <https://himachal.nic.in/transport> and submit their bids offline in the O/o Chief General Manager Ropeways and Rapid Transport System Development Corporation H.P. Limited US, Club, Shimla-171001 as per following schedule:-

Key Dates:

1.	Document Download Date	14.10.2019
2.	Bid Submission Date and Time	Up to 04.11.2019, 11.00 AM
3.	Date of Technical Bid opening.	04.11.2019, 3.00 PM
4.	Date of Opening of Financial Bid.	Will be intimated separately

The bidder shall get designs & drawings of Sheep shed, Chaff Shed, Shearing Shed and Grass Shed prepared from the Structural Engineer & got it vetted from NIT Hamirpur/IIT Mandi/ PEC Chandigarh and submit to this office before the start of the work.

Bid document downloaded should not be tempered and if any such tempering is detected before or after the opening of bids by the bidder, he shall be penalized and his tender will be rejected/cancelled. Other terms and conditions shall remain same as per bid document.



Er. Rohit Thakur
General Manager,
Ropeways and Rapid Transport System
Development Corporation H.P. Ltd., Shimla.
Email:- gmrtdchp@gmail.com

**ROPEWAYS AND RAPID TRANSPORT
SYSTEM DEVELOPMENT CORPORATION H.P.LIMITED (RTDC)**

TENDER DOCUMENT

NAME OF WORK:- Construction of Sheep Shed (240 sheep capacity) with associated structures in Ram Centre at Sheep Development Farm Nagwai Distt. Mandi (H.P.). (SH:- C/o Approach road, Sheep Shed, Chaff Shed, Shearing Shed, Grass Shed and site development etc.)

REFERENCE OF SANCTION: - Letter No. AHY-F(1)4/2018-L dated 18-01-2019

SANCTION AMOUNT Rs. 2,00,00,000/- (Rupees Two Crore Only)

AGREEMENT NO

~~INSTRUCTIONS FOR USE OF STANDARD FORM IN e-PROCUREMENT~~

~~1. COST OF TENDER: INDICATED IN SCHEDULE 'F'; THE COST OF TENDER MAY BE DEPOSITED IN SHAPE OF DEMAND DRAFT.~~

~~2. EARNEST MONEY: THE EARNEST MONEY INDICATED IN SCHEDULE 'F' AND MAY BE DEPOSITED IN SHAPE OF DEMAND DRAFT/FDR.~~

~~3. CONTRACTOR'S REGISTRATION: THE CONTRACTOR HAS TO PRODUCE THE ENLISTMENT OF COMPETENT AUTHORITY IN APPROPRIATE CLASS VALID AT THE TIME OF TENDER REFER GENERAL RULES NO 23~~

~~4. SALES TAX REGISTRATION : THE SALES TAX REGISTRATION DOCUMENT MAY BE SUBMITTED REFER GENERAL RULES NO 21~~

~~5. WORK DONE CERTIFICATE & WORK IN HAND CERTIFICATE: (only if required in tender document)~~

~~THE WORK DONE & WORK IN HAND MAY BE FILLED UP IN THE REQUIRED PERFORMA SHOWN IN GENERAL RULES NO. 19 MINIMUM AMOUNT OF WORK DONE SHOWN SCHEDULE 'F' AND THESE ALONG WITH THE WORK DONE CERTIFICATE OF COMPETENT AUTHORITY MAY BE SUBMITTED~~

~~6. LIST OF MACHINERY, TOOL, PLANT (only if required in tender document)~~

~~THE DETAIL OF MACHINERY, T&P MAY BE FILLED UP ON THE FORMAT AS SHOWN IN SCHEDULE 'F' WITH REFERENCE TO CLAUSE 18 AND THIS ALONG WITH PROOF (R.C, AFFIDAVITS, ETC) MAY BE SUBMITTED~~

~~7. BILL OF QUANTITY: THE BILL OF QUANTITY MAY BE FILLED UP IN xls format~~

~~8. THE CONTRACTOR IS REQUIRED TO STUDY GENERAL RULES & DIRECTIONS, CONDITIONS, CONTRACT CLAUSES, SCHEDULES 'A' TO 'F' IN TENDER DOCUMENT AND THERE AFTER FILL FORM NO 8 AND SUBMIT.~~

~~9. ANY ADDITIONAL INFORMATION MENTIONED IN SCHEDULE 'D'~~

**ROPEWAYS AND RAPID TRANSPORT
SYSTEM DEVELOPMENT CORPORATION H.P.LIMITED
(RTDC)**

**Percentage rate /item rate tender & contract
Index**

Sr.No	Details	Page
1.	Instructions for use of Standard form	2
2.	Tender form 8	4-5
	(i) General rules and directions	6-9
	(ii) Conditions of contract	10-12
	(iii) clauses of contract	13-50
	(iv) HPPWD safety code	51-53
	(v) Model rules	54-57
	(vi) Contractors Labour regulations	58-61
	(vii) performa of registers	62-76
	(viii) Performa of Schedules	77-87
	(ix)Form of performance Security	88-90
3.	Invitation for Bid Performa	91-92

**ROPEWAYS AND RAPID TRANSPORT
SYSTEM DEVELOPMENT CORPORATION H.P.LIMITED (RTDC)**

Percentage Rate Tender/Item rate tender & contract for works

Tender for the work of : Construction of Sheep Shed (240 sheep capacity) with associated structures in Ram Centre at Sheep Development Farm Nagwai Distt. Mandi (H.P.). (SH:- C/o Approach road, Sheep Shed, Chaff Shed, Shearing Shed, Grass Shed and site development etc.)

- (i) To be submitted byhours on
- (ii) To be opened in the presence of tenderers who may be present atonin the office of

Issued to.....
 Signature of officer issuing the documents.....
 Designation.....
 Date of issue.....

Tender

I/We have read and examined the notice inviting tender, schedule of quantities specifications applicable ,drawings& designs, general rules & directions, conditions of contract ,clauses of contract ,special conditions, schedule of rates & other documents and rules referred to in the conditions of contract and all contents in the tender documents of the work.

I/We hereby tender for the execution for the Governor of Himachal Pradesh of the works specified in the under written memorandum within the time specified in such memorandum at the rates specified in figures and words in the attached schedule of quantities on pages..... toor/ submitted and in accordance in all respect with the specifications, designs, drawings and instructions in writing referred to in Rule 1 of General Rules and Directions and in clause 11 of the General Conditions of contract and with such materials as are provided for, by, and in all respects in accordance with, such conditions far as applicable.

I/We agree to keep the tender open for **ninety/one hundred twenty days** from the due date of opening and not make any modifications in terms & conditions

I/We hereby declare that I/We shall treat the tender documents, drawings and other records connected with the work as secret confidential documents and shall not communicate information/derived there from to any persons other than a person to whom I/We am/are authorized to communicate the same or use the information in any manner prejudice to the safety of the same.

The **earnest money** in shape of call deposit of post office or Fixed deposits/demand draft of schedule bank mentioned in the memorandum is enclosed herewith . I/We will submit the performance guarantee within the specified period . If I/We fail to commence the works specified in the Memorandum. I/We agree that the said Governor or his successors-in-office shall, without prejudice to any other right or remedy available in law , **be at liberty to forfeit the said Earnest Money & Performance guarantee** absolutely or otherwise the said earnest money shall be retained by him towards Security deposit to execute all the works referred in the tender document up on the term & conditions or referred to therein and carry out deviations as may be ordered up to maximum percentage ofof tendered amount and those in excess of that limit at the rates to be determined in accordance with the provisions contained in clause 12-A of the tender form. Further , I/We agree that in case of forfeiture of earnest money & Performance Guarantee as aforesaid ,I /We shall be debarred from participation in re-tendering process of this work.

;

Exemption from the payment of Earnest Money.(- not applicable in online mode)

~~I/We have already furnished security to the Governor of H.P. in lieu of earnest money and have deposited with the Chief General Manager/Engineer in Chief P.W.D., Shimla, a lump sum security of Rs...../- as earnest money in individual cases and I/We therefore claim exemption in terms of bond executed to me/us and bearing No..... dated the Day of 20..... against necessity of depositing earnest money in respect of the above tender for work, I/We agree that should I/we fail to commence the work specified in the above memorandum as the amount equal to the amount of the earnest money mentioned in the form of invitation of tender shall be absolutely forfeited to the Governor of H.P. and the same may at the option of the Governor of H.P. be recovered out of the deposit in so far as the same may extend in terms of the said Bond and in the event of deficiency out of any other moneys due to me/us or otherwise. **The above information is correct to best of my/our knowledge.**~~

~~Dated.....day of 20..... Signature of contractor
Postal Address~~

~~Witness
Address
Occupation~~

ACCEPTANCE

The above tender for the sum of Rs.....
(Rupees.....)
is hereby accepted by me General Manager on behalf of the Governor of Himachal Pradesh. The letter referred below shall form part of this contract agreement:-

- (a) Form 8
- (b) Standard Tender Document (General rules & directions ,conditions ,clauses, safety code ,contractors labour regulations)
- (c) Award letter (with negotiation letter if negotiation held)
- (d) Performa of Schedules A to F
- (e).....

For on behalf of Governor of H.P
Signature.....
Designation.....
Seal.....

Date

**ROPEWAYS AND RAPID TRANSPORT
SYSTEM DEVELOPMENT CORPORATION H.P.LIMITED (RTDC)**

GENERAL RULES AND DIRECTIONS

1. All works proposed for execution by contractor will be notified in a form of invitation to tender passed on public places/Govt website signed by the General Manager. This form will state the work to be carried out as well as the date for submitting and opening tenders and the time allowed for carrying out the work; also the amount of earnest money to be deposited with the tender and the percentage at which the Security deposit shall be deducted from the bills of the successful tenderer. Copies of the specifications, designs and a drawing and a schedule of quantities and the rates of the various descriptions of work and any other documents required in connection with the work signed for the purpose of identification by the General Manager shall also be open for inspection by the contractor at the Office of the General Manager of during office hours.

2. In the event of the tender being submitted by a firm it must be signed separately by each partner thereof or in the event of the absence of any partner it must be signed on his behalf by a person holding a power of attorney authorising him to do so such power of attorney to be produced with the tender and it must disclose that the firm is duly registered under the Indian Partnership Act.

3. Receipts for payments made on account of work, when executed by a firm, must also be signed by the several partners except where the contractors are described in the tender as a firm in which case the receipts must be signed in the name of the firm by one of the partners or by some other person having authority to give sufficient receipts for the firm.

4.(**applicable in offline mode** to item rate tender only PWD-8) Any person who submits tender shall fill up the usual printed form stating at what rate he is willing to undertake each item of work .Tenders ,which proposes any alteration in the work specified in the said form of invitation to tender or in the time allowed for carrying out the work or which contain any other conditions of any sort, will be liable to rejection. No signal tender shall include more than one work, but contractors who wish to tender for two or more works shall submit a separate tender for each. Tenders shall have the name and number of the work to which they refer written outside the envelopes.

The rate(s) must be quoted in decimal coinage. Amount must be quoted in full rupees by ignoring fifty paise and considering more than fifty paise as one rupee.

4.A (**applicable in offline mode** to percentage rate tender only PWD-7) In case of percentage rate tender ,tenderer shall fill up the usual printed form stating at what percentage below/above (in figures as well as in words) the total estimated cost in schedule of quantity with tender document , he is willing to execute the work .Tenders which propose any alteration in the work specified in the said form of invitation to tender ,or in the time allowed for carrying out the work ,or which contain any other conditions of any sort including conditional rebates ,will be summarily rejected .no single tender shall include more than one work ,but contractors who wish to tender for more works shall submit separate tender for each .tenders shall have name and number of works to which they refer , written on the envelopes

5.(**applicable in offline mode**)The General Manager or his duly authorized assistant, will open tenders in the presence of any intending contractors who may be present at the time and will enter the amount of the several tenders in a Comparative Statement in a suitable form. In the event of a tender being accepted receipt for the earnest money forwarded therewith shall thereupon be given to the contractor who shall thereupon for the purpose of identification sign copies of the specifications and other documents mentioned in rule 1. In the event of a tender being rejected, the earnest money forwarded with such unaccepted tender shall thereupon be returned to the contractor making the same, without any interest .

6. The officer inviting tenders shall have the right of rejecting all or any of the tenders and will not be bound to accept the lowest tender.

7.(**applicable in offline mode**) The receipt of an accountant or clerk for any money paid by the contractor will not be considered as any acknowledgment of payment to the General Manager and the contractor shall be responsible for seeing that he procures a receipt signed by the General Manager or a duly authorized cashier.

8.(**applicable in offline mode**) The memorandum of work tendered for and the schedule of material to be supplied by the Public Works Department and their issue rates shall be filled in and completed in the office of the General Manager before the tender form is issued. If a form is issued to an intending tenderer

without having been so filled in and completed he shall request the office to have this done before he completes and delivers his tender.

9.(**applicable in offline mode**) The tenderer shall sign a declaration under official secret Act 1923 for maintaining the secrecy of the tender document ,drawings or other records connected with the work given to them .The unsuccessful tenderer shall return all the drawings with them.

9A: Use of correcting fluid, anywhere in tender document is not permitted. Such tender is liable for rejection.

10.(**applicable in offline mode**) In case of item rate tenders ,only rates quoted shall be considered .Any tender containing percentage below /above the rates quoted is liable to be rejected .The rates quoted by contractor in item rate tender in figures and words shall be accurately filled in so that no discrepancy in rates written in figures and words .However ,if a discrepancy is found ,the rates which correspond with amount worked out by the contractor shall unless otherwise proved be taken as correct .If the amount of an item is not worked out by the contractor or it does not correspond with the rates written either in figure or in the words ,then rates quoted by contractor in words shall taken as correct .Where the rates quoted by contractor in figures and figure tally but the amount is not worked out correctly ,the rates quoted by the contractor will unless otherwise proved to be taken as correct and not the amount .In event no rate has been quoted for any item (s) word(s) and amount blank ,it will be presumed that contractor has included the cost of this/these item(s) in other items and rate for such item(s) will be considered as zero and work will be required to be executed accordingly.

10 A. (**applicable in offline mode** applicable for percentage rate tender only) In case of percentage rate tender only percentage quoted shall be considered .Any tender containing item rates is liable to be rejected .Percentage quoted by the contractor in percentage rate tender shall be accurately filled in figures and words , so that there is no discrepancy . However if the contractor has worked out the amount of tender and if any discrepancy is found in the percentage quoted in words and figures ,the percentage which corresponds with the amount worked out by the contractor shall ,unless otherwise proved ,be taken as correct .If the amount of the tender is not worked out by the contractor or it or it does not correspond with the percentage written either in figures or in words ,then the percentage quoted by contractor in words shall be taken as correct. Where the percentage quoted by contractor in figures and words tally but amount not worked out correctly ,then percentage quoted by contractor will ,unless otherwise proved ,be taken as correct and not the amount .

11.(**applicable in offline mode**) In the case of any tender where unit rate of any item/items appear unrealistic, such tender will be considered as unbalanced and in case the tenderer is unable to provide satisfactory explanation, such tender is liable to be disqualified and rejected.

12.(**applicable in offline mode**) All rates shall be quoted on the tender form. The amount for each item should be worked out and requisite totals given. Special care should be taken to write the rates in figures as well as in words and the amount in figures only, in such a way that interpolation is not possible. The total amount should be written both in figures and in words. In case of figures, the word 'Rs.' Should be written before the figure of rupees and word 'P' after the decimal figures, i.g.'Rs.2.15 P' and in case of words, the word, ' Rupees' should precede and the word 'Paise' should be written at the end .Unless the rate is in whole rupees and followed by the word 'only' it should invariably be upto two decimal places. While quoting the rate in schedule of quantities, the word 'only' should be written closely following the amount and it should not be written in the next line.

12 A. (**Applicable for online/offline mode**) All rates quoted by contractors shall be inclusive of all modes of leads, lifts & heights and also taxes/levies unless specified to the contrary. All the excavated/surplus earth/dismantle material/waste etc shall be dumped at the site to be arranged by the contractor unless otherwise specified to the contrary and to the satisfaction of Engineer-in-Charge.

13.(**applicable in offline mode**)In Percentage Rate Tender, the tenderer shall quote percentage below/above (in figures as well as in words) at which he will be willing to execute the work. He shall also work out the total amount of his offer and the same should be written in figures as well as in words in such a way that no interpolation is possible. In case of figures, the work 'Rs.' should be written before the figure of rupees and work 'P' after the decimal figures, e.g. 'Rs.2.15P and in case of words, the word 'Rupees' should precede and the work ' Paise' should be written at the end.

~~13 (i) — The Contractor, whose tender is accepted, will be required to furnish performance guarantee of 5% (Five Percent) of the tendered amount within the period specified in Schedule F. This guarantee shall be in the form of cash (in case guarantee amount less than Rs. 10,00,000/-) or Deposit at call receipt of Post office~~

Deleted

~~or any scheduled bank/Banker's cheque of any scheduled bank/Demand Draft of any scheduled bank/Pay order of any scheduled bank (in case guarantee amount is less than Rs. 1,00,000) or Government Securities or Fixed Deposit Receipts or Guarantee Bonds of any Scheduled Bank or the State Bank of India in accordance with the prescribed form.~~

(Clause 13(i) has been deleted vide Govt. Notification No. PBW(B)C(17)2/2012 dated 18th March 2016.

(ii) The contractor, whose tender is accepted, will also be required to furnish by way of Security Deposit for the fulfilment of his contract, an amount equal to 5% of the tendered value of the work. The Security deposit will be collected by deductions from the running bills of the contractor at the rates mentioned above and the earnest money deposited at the time of tenders, will be treated as a part of the Security Deposit. The Security amount will also be accepted in cash or in the shape of Government Securities. Fixed Deposit Receipt of a Scheduled Bank or State Bank of will also be accepted for this purpose provided confirmatory advice is enclosed.

14 On acceptance of the tender, the name of the accredited representative (s) of the contractor who would be responsible for taking instructions from the Engineer-in-Charge shall be communicated in writing to the Engineer-in-Charge.

15 GST, building and other construction worker, welfare cess royalty or any other tax, levy or cess in respect of input for or output by this contract shall be payable by the contractor and Govt., shall not entertain any claim whatsoever in this respect of the same. **(as per approval of Govt. vide letter No. PBW(B)C(17)2/2012 dated 07/08/2018)**

16 The contractor shall give a list of both gazetted and non-gazetted RTDC employees related to him.

17 The tender for the work shall not be witnessed by a contractor or contractors who himself /themselves has/have tendered or who may and has/have tendered for the same work. Failure to observe this condition would render, tenders of the contractors tendering, as well as witnessing the tender, liable to summary rejection.

18 The tender for composite work includes, in addition to building work, all other works such as sanitary and water supply installations drainage installation, electrical work, horticulture work, roads and paths etc. The tenderer apart from being a registered contractor (B&R) of appropriate class, must associate himself with agencies of appropriate class which are eligible to tender for sanitary and water supply drainage, electrical and horticulture works in the composite tender.

19 The contractor shall submit list of works which are completed/ in hand (progress) in the following form:-

Work Done Detail: In last five years with base year indicated in performs of schedule “F”

Sr No	Name of HP Govt. Division or State or Central PSU's	Name of Work	Cost of completion			Remarks(Indicate in % of completion of awarded components)
			Awarded amount	Completion amount	Penalty if any and amount pain thereafter	
1	2	3	4			5

Work in hand Detail

Name of work	Name of HP Govt. Division or State or Central PSU's where work is executed	Amount of work completed			Position of works in progress (indicate in % of completion	Stipulated Date of completion	Remarks
		Awarded amount	Amount of work done up to last	Penalty if any and amount pain			

		running bill	thereafter	of awarded components)		
1	2	3		4	5	6

These statements should be countersigned by the Engineer in charge, not below the rank of an General Manager or equivalent in State/Central Govt. PSU's with his seal.

20. The contractor shall comply with the provisions of the Apprentices Act 1961, and the rules and orders issued there under from time to time. If he fails to do so, his failure will be a breach of the contract and the Chief General Manager/ General Manager may in his discretion, without prejudice to any other right or remedy available in law, cancel the contract. The contractor shall also be liable for any pecuniary liability arising on account of any violation by him of the provisions of the said Act.

21. The GST (SGST+CGST) shall be deducted at source at the rate as notified by the Government of India from time to time.

22. The statutory deductions of I-Tax shall be done from the running bills of contractor.

23. The contractor of **appropriate class registration can tender in the work**. The contractor has to produce the registration certificate at the time of tender.

24. The contractor is required to start the work within fifteen days of award of work failing which, his earnest money shall be forfeited and may be debar to participate in the retendering of work.

25. The contractor will have to submit the proof of machinery, T& P required for work shown in Schedule F at the time of tender.

25 "A" The contractor will have to submit the proof of registration under Employees Provident Funds & Miscellaneous Provision Act, 1952 (EPF Number) with in a month from award of Work/Contract. (as per instruction issued vide ENC office letter No. 20593-692 12-09-2017)

26. ~~online bidding procedure~~

~~Scanned copies of the following documents shall be uploaded on the website <http://hptenders.gov.in> from the appropriate place.~~

~~26.1. **COST OF TENDER:** INDICATED IN SCHEDULE 'F' ; THE COST OF TENDER MAY BE DEPOSITED IN SHAPE OF DEMAND DRAFT AND UPLOADED ~~as pdf~~ DOCUMENT~~

~~26.2. **EARNEST MONEY:** THE EARNEST MONEY INDICATED IN SCHEDULE 'F' AND MAY BE DEPOSITED IN SHAPE OF DEMAND DRAFT/FDR AND UPLOADED ~~AS pdf~~ DOCUMENT~~

~~26.3. **CONTRACTOR'S REGISTRATION:** THE ~~CONTRACTOR HAS TO PRODUCE THE ENLISTMENT OF COMPETENT AUTHORITY IN APPROPRIATE CLASS VALID AT THE TIME OF TENDER AND UPLOAD AS pdf~~ REFER GENERAL RULES NO 23~~

~~26.4. **GST REGISTRATION :** THE GST REGISTRATION DOCUMENT MAY BE UPLOADED ~~AS pdf~~ DOCUMENT REFER GENERAL RULES NO 21~~

~~26.5. **WORK DONE CERTIFICATE & WORK IN HAND CERTIFICATE:** (only if required in tender document) THE WORK DONE & WORK IN HAND ~~MAY BE FILLED UP IN THE REQUIRED PERFORMA SHOWN IN GENERAL RULES NO. 19~~ **MINIMUM AMOUNT OF WORK DONE SHOWN SCHEDULE 'F'** AND THESE ALONG WITH THE WORK DONE CERTIFICATE OF COMPETENT AUTHORITY MAY BE UPLOADED ~~AS pdf~~ DOCUMENT~~

~~26.6. **LIST OF MACHINERY ,TOOL,PLANT** (only if required in tender document) THE DETAIL OF MACHINERY, T&P MAY BE FILLED UP ON THE FORMAT AS SHOWN IN SCHEDULE 'F' WITH REFERENCE TO CLAUSE 18 ~~AND THIS ALONG WITH PROOF (R.C ,AFFDAVITS, ETC) MAY BE UPLOADED AS pdf~~ DOCUMENT~~

~~26.7 **BILL OF QUANTITY:** THE BILL OF QUANTITY MAY BE UPLOADED IN XLS FORMAT~~
~~**26.7. THE CONTRACTOR IS REQUIRED TO STUDY GENERAL RULES & DIRECTIONS, CONDITIONS, CONTRACT CLAUSES, SCHEDULES 'A' TO 'F' IN TENDER DOCUMENT AND THERE AFTER FILL HPPWD FORM NO 8. and upload pdf document**~~

26.8. Any other documents as specified by the State in performa of schedule.

27. Submission of Bids in original :-

The bidders are required to submit bids offline in two packet cover either by registered post or by hand in the office of authority inviting tender

1. Technical cover
 - I. Original demand draft towards the cost of bid document
 - II. Original earnest money in approved form.
 - III. Contractor’s registration certificate in appropriate class valid at the time of tender
 - IV. GST registration document.
 - V. Work done certificate & work in hand certificate: (only if required in tender document) the work done & work in hand may be filled up in the required performa shown in general rules no. 19 minimum amount of work done shown schedule ‘f’ and these alongwith the work done certificate of competent authority
 - VI. List of machinery ,tool, plant (only if required in tender document)
 - VII. The detail of machinery,t&p may be filled up on the format as shown in schedule ‘f’ with reference to clause 18 and this alongwith proof (r.c ,affdavits, etc)
 - VIII. The Contractor is required to study general rules &directions, conditions, contract clauses, schedules ‘a’ to ‘f’ in tender document and there after fill PWD form no 8
2. Financial Cover
 - I. Bill of quantity

28 Eligibility criteria:

28.1(This eligibility condition shall be applicable for those works of amount put to tender is up to Rs 50.00 lacs) As per Govt notification the contractor should not have more than two contracts at a time each of Rs. 100.00 lacs or more in any HPPWD circles. The contractor has to submit the list of incomplete works in hand on the proforma mentioned at S.No. 19 of General Rules and Directions .

28.2 (This eligibility condition shall be applicable for those works of amount put to tender is more than Rs 50.00 lacs)

~~28.2.a :Bidding Capacity :- Bidders who meet the minimum qualification criteria will be qualified only if their assessed available bid capacity for construction works is equal to or more than the total bid value. The available bid capacity will be calculated as under:~~

~~Assessed Available Bid capacity = (A x N x M – B)
where~~

~~A =Maximum value of civil engineering works executed in any one year during the last five years (updated to the price level of the financial year in which bids are revised at the rate of 8 percent a year) taking into account the completed as well as works in progress.~~

	Last Five years (excluding current year)	Amount of work done in each financial Year
Total annual volume of civil engineering work executed and payments received in the last five years preceding the year in which bids are invited. (Attach /upload certificate from Chartered Accountant)	(Rs. In lakhs) Year 14-15 Year 15-16 Year 16-17 Year 17-18 Year 18-19	

~~———— N = Number of years prescribed for completion of the works for which bids are invited (period up to 6 months to be taken as half year and more than 6 months as one year).~~

~~———— M = 2~~

~~———— B = Value, at the current price level, of existing commitments and on-going works to be completed during the period of completion of the works for which bids are invited. The details should be on the formats indicated in condition no 19.~~

28.2.b :Minimum Work done condition :- Minimum one similar work done of amount not less than 40% (forty percent) of the estimated cost (without Liquidated Damage or compensation) in last five years

~~*———— 28.2.C(i) Power to relax “In exigency of work the power to relax any provision of the rules/ clauses shall vest with a committee, comprising of ENC, HPPWD, Chief Engineer concerned SE(D-III) and Joint Controller(F & A)”.~~ * Inserted vide govt. letter No. PBW(B)C(17)2/2012 dated 10 April 2017.

29. The contractor is supposed to have seen the site of work before submission of tender. If complete site is not available, part-site may be handed over in the beginning and remaining during the currency of work. The contractor will schedule his work accordingly.

CONDITIONS OF CONTRACT

Definitions

1. The **Contract** means the documents forming the tender and acceptance thereof and the formal agreement executed between the competent authority on behalf of the Governor of Himachal Pradesh and the contractor, together with the documents referred to therein including these conditions, the specifications, designs ,drawings and instructions issued from time to time by the Engineer-in-Charge and all these documents taken together ,shall be deemed to form one contract and shall be complementary to one another.
2. In the contract, the following expressions shall, unless the context otherwise requires, have the meanings hereby respectively assigned to them:-
 - (i) The expression **works** or **work** shall, unless there be something either in the subject or context repugnant to such construction, be construed and taken to mean the works by or by virtue of the contract contracted to be executed whether temporary or permanent, and whether original, altered, substituted or additional.
 - (ii) The **Site** shall mean the land/or other places on, into or through which work is to be executed under the contract or any adjacent land, path or street through which work is to be executed under the contract or any adjacent land, path or street which may be allotted or used for the purpose carrying out the contract.
 - (iii) The **Contractor** shall mean the individual, firm or company, whether incorporated or not, undertaking the works and shall include the legal personal representative of such individual or the persons composing such firm or company, or successors of such firm or company and the permitted assignees of such individual, firm or company
 - (iv) The Governor means the Governor of Himachal Pradesh and his successors.
 - (v) The Engineer-in-Charge means the Engineer Officer who shall supervise and be incharge of the work and who shall sign the contract on behalf of the President of India as mentioned in Schedule "F" hereunder.
 - (vi) Government of Himachal Pradesh shall mean the Governor of Himachal Pradesh.
 - ~~(vii) The terms Engineer-in-Chief includes Chief Engineer of the Zone.~~
 - (viii) Accepting Authority shall mean the authority mentioned in Schedule 'F'.
 - (ix) Excepted Risk are risks due to riots (other than those on account of contractors employees), war (whether declared or not) invasion, act of foreign enemies, hostilities, civil war, rebellion revolution, insurrection, military or usurped power, any acts of Government, damages from aircraft, acts of god, such as earth quake, lightning and unprecedented floods, and other causes over which the contractor has no control and accepted as such by the Accepted Authority or causes solely due to use or occupation by Government of the part of the work in respect of which a certificate of completion has been issued or a cause solely due to Government's faulty design of works.
 - (x) Market Rate shall be the rate as decided by the Engineer –in- Charge on the basis of the cost of materials and labour at the site where the work is to be executed plus the percentage mentioned in schedule 'F' to cover, all over heads and profits.
 - (xi) Schedule (S) referred to in these conditions shall mean the relevant schedule (s) annexed to the tender papers or the standard schedule of rates of the Government mentioned in schedule 'F' hereunder, with the amendments thereto issued upto the date of receipt of the tender.
 - (xii) Department means HPPWD or any Department of Government of Himachal Pradesh which invites tenders on behalf of President of India as specified in schedule 'F'.
 - (xiii) District Specifications means the specifications followed by the State Government in the Area where the work is to be executed.
 - (xiv) Tendered value means the value of the entire work as stipulated in the letter of award.

Scope and Performance

- 3 Where the context so requires, word imparting the singular only also include the plural and vice versa. Any reference to masculine gender shall when ever required include feminine gender and vice versa.
- 4 Headings and marginal notes to these General Conditions of Contract shall not be deemed to from part there of or be taken in to consideration in the interpretation or construction thereof or of the contract.
- 5 The contractor shall be furnished, free of cost one certified copy of contract documents except standard specification, Schedule Rates and such other printed and published documents, together with all drawings as may be forming part of the tender papers. None of these documents shall be used for any purpose other then that of this contract.

Works to be carried out.

6. The work to be carried out under the contract shall , except as otherwise provided in these conditions, include all labour , materials, tools, plants, equipment and transport which may be required in preparation of and for and in the full and entire execution and completion of the work. The descriptions given in the schedule of quantities (Schedule – A-) shall unless otherwise sated, be held to include wastage on materials, carriage and cartage, carrying and return of empties, hoisting, setting, fitting and fixing in position and all other labours necessary in and for the full and entire execution and completion of the work as aforesaid in accordance with good practice and recognized principles.

Sufficiency of tender.

7. The contractor shall deemed to have satisfied himself before tendering as to be correctness and sufficiency of his tender for the work and of the rates and prices quoted in the schedule of quantities, which rates and prices shall, accept as otherwise provided, cover all his obligations under the contract and all matters and things necessary for the proper completion and maintenance of the works.

Discrepancies and Adjustment of Errors

- 8 The several documents forming the contract are to be taken as mutually explanatory of one another, detailed drawings being followed in performance to small scale drawing and figured dimensions in preference to scale and special conditions in preference to General Conditions.
- 8.1 In the case of discrepancy between the schedule of Quantities, the specifications and /or the Drawings, the following order of preference shall be observed :-
- (i) Description of Schedule of Quantities.
 - (ii) Particular Specifications and special condition, if any.
 - (iii) Drawings.
 - (iv) HPPWD specifications.
 - (v) Indian Standard specifications of B.I.S.
- 8.2 If there are varying or conflicting provisions made in any one document forming part of the contract, the Accepting Authority shall be the deciding authority with regard to the intention of the document and his decision shall be final and binding on the contractor.
- 8.3 Any error in description, quantity or rate in Schedule of Quantities or any omission there from shall not vitiate the Contract or release the contractor from the execution of the whole of any part of the works comprised therein according to drawings and specifications or from any of his obligations under the contract.

Signing of Contract

- 9 the successful tender / contractor, on acceptance of this tender by the Accepting Authority, shall within 15 days from the stipulated date of start of the work, sign the contract consisting of :-
- (i) The notice inviting tender, all the documents including drawings, if any, forming the tender as issued at the time of invitation of tender and acceptance thereof together with any correspondence leading thereto.
 - (ii) Standard HPPWD. form as mentioned in schedule `F` consisting of :-
 - (a) Various standard clauses with corrections upto the date stipulated in schedule `F` along with annexure thereto.
 - (b) .P.W.D. safety Code.
 - (c) Modal Rules for the protection of health, sanitary arrangements for workers employed by HPPWD or its contractor.
 - (d) PWD contractor's Labour Regulations.
 - (e) List of acts and omissions for which fines can be imposed.
 - (iii) No payment for the work done will be made unless contract is signed by the contractor.

CLAUSES OF CONTRACT

CLAUSE 1. Recovery of Security Deposits

The person/persons whose tender(s) may be accepted (hereinafter called contractor), shall permit Government at the time of making any payment to him for work done under the contract to deduct such sum @ 5% of the gross amount of each running bill till the sum along with sum already deposited as earnest money, will amount to security deposit of 5% of the tendered value of the work by way of security deposit unless he /they has/have deposited the amount of security at the rate mentioned above in cash or in the form of fixed deposit receipt or NSC from any post office in Himachal Pradesh.

The security shall be deducted @5% (without any limit) from the running bills of the contractor. However the security amount in excess of Rs.2.00 Lacs can be given in the shape of National Saving Certificate from any Post Office in Himachal Pradesh or fixed deposit receipt duly pledged in favour of Engineer-in-Charge. Recovery of the compensation for delay (clause-2) can be done from the security provided under this clause and from and work being executed/executed by the contractor in the state. Such deduction to be held by Government by way of Security Deposit. Provided always that the Government for this purpose shall be entitled to recover 10 (Ten) percent of the amount of each running bill till the balance of the amount of Security Deposit is released. All compensation or other sums of money payable by the contractor under the terms of this contract may be deducted from or paid by the sale of or a sufficient part of his security deposit or

from the interest arising there from or from any sums which may be due to or may become due to the contractor by Government on any account whatsoever and in the event of his Security Deposit being reduced by reason of any such deductions or sale of aforesaid, the contractor shall within 10 days make good in the shape of National Saving certificate/Time Deposit Account/Post Office Saving Account in any of the Post Office in Himachal Pradesh. The security deposit shall be collected from the running bills of the contractor at the rates mentioned above and the Earnest Money if deposited in the shape of National Saving Certificate/Time Deposit Account/ Post Office Saving Account in any of the Post Office in Himachal Pradesh, at the time of tender will be treated part of the security deposit.

Note: Govt. Securities will include all form and securities mentioned in HPFR Rules except fidelity bond. This will be subject to the observance of the conditions mentioned under this rule against each form of security.

Note : In case a fixed deposit receipt of any bank, is furnished by the contractor to the Government as part of the security deposit and the bank goes into liquidation or for any reason is unable to make payment against the said fixed deposit receipt, the loss caused thereby shall fall on the contractor and the contractor shall forthwith on demand during additional security to the Govt. to make good the deficit.

CLAUSE 2: Compensation for delay

If the contractor fails to maintain the required progress as per Annexure-A or to complete the work and clear the site on or before the contract or extended date of completion, he shall, without prejudice to any other right or remedy available under the law to the government on account of such breach pay as agreed compensation the amount calculated as the rates stipulated below as the Chief General Manager (whose decision in writing shall be final and binding) may decide on the amount of tendered value of the work for every completed day/month (as applicable) that the progress remains below that specified in Annexure-A or that the work remains incomplete. This will also apply to items or group of items for which a separate period of completion has been specified.

Compensation for delay of work

(i) @ 1.5% of tendered amount per month of delay to be computed on per day basis when time period of agreement more than six months.

(ii) @ 3% per month of delay to be computed on per day basis when time period of agreement less than six months.

The compensation under clause 2 of the agreement at the 1st instance has to be calculated and assessed by the Engineer-in-Charge for delay in execution of work as per time schedule agreed to between the parties, after giving detailed facts of the case. The compensation can be levied by the Engineer-in-Charge

and shall be confirmed by the CGM. The Chief General Manager on further reference, appeal or revision may confirm such compensation or reduce it. The decision of the Chief General Manager arrived at after considering the various mitigating circumstance shall be final. The Chief General Manager is entitled to levy provisional compensation on the recommendation of the Engineer-in-Charge and same can be modified by him if found necessary after the careful consideration of various circumstances and revised progress made by the contractor while making final confirmation of compensation in writing. Provided always that the total amount of compensation for delay to be paid under this condition shall not exceed 10% of the Tendered Value of work or to the Tendered Value of the items or group of items of work for which a separate period of completion is originally given, the amount of compensation may be adjusted or set-off against any sum payable to the contractor under this or any other contract with the Government. In case, the contractor does not achieve a particular milestone mentioned in Schedule-AA of Annexure-A or the reschedules milestone (s) in terms of clause 4 of annexure-A, the amount shown against the milestone(s) shall be with held to be adjusted against the final grant of Extension of time to be decided on completion of work. With-holding of this amount on failure to achieve a milestone, shall be automatic without any notice to the contractor. However, if the contractor catches up with the progress of work on the subsequent milestone(s), amount mentioned against each milestone missed subsequently also shall be withheld. However, no interest whatsoever, shall be payable on such withheld amount. The compensation once confirmed by the Chief General Manager is non deferrable and non arbitral.

ANNEXURE-A

The time allowed for execution of the works as specified in the Schedule "AA" or the extended time in accordance with these conditions shall be an essence of the Contract. The execution of works shall commence from such time period as mentioned in letter of acceptance or from the date of handing over of the whichever is later .If the Contractor commits default in commencing the execution of the work as aforesaid Government shall without prejudice to any other right or remedy available in law, be at liberty to forfeit the earnest money and performance guarantee absolutely.

1. As soon as possible after the contract is concluded the contractor shall submit a time and progress chart for each milestone and get it approved by the department, the chart shall be prepared in direct relation to the time stated in the

contract documents for completion of items of the works. It shall indicate the forecast of the dates of commencement and completion of various trades of sections of the work and may be amended as necessary by agreement between the Engineer-in-Charge and the Contractor within the limitations of time imposed in the contract documents and further to ensure good progress during the execution of the work. The contractor shall in all cases in which the time allowed for any work exceeds one month (save for several jobs for which a separate program has been agreed upon) complete the work as per milestones given in Schedule "AA".

2. If the work(s) be delayed by:-

- i) Force majeure or
- ii) abnormally bad weather or
- iii) serious loss or damage by fire or
- iv) Civil commotion, local commotion of workmen, strike or lockout, affecting any of the trades employed on the work, or

v) Delay on the part of other contractors or tradesmen engaged by Engineer-in-Charge in execution work not forming part of the contract, or

vi) Non availability of stores, which are the responsibility of Government to apply, or

vii) Non availability or breakdown of tools and Plant to be supplied or supported by Government, or

viii) Any other cause which in the absolute discretion of the authority mentioned in Schedule "AA" is beyond the contractors control then upon the happening of any such event causing delay, the contractor shall immediately give notice thereof in writing to the Engineer-in-Charge but shall nevertheless us constantly his best endeavors to prevent or make good the delay and shall do all that may be reasonably required to the satisfaction of the Engineer-in-Charge to proceed with the works.

3. Request for rescheduling of milestones & extension of time to be eligible for consideration, shall be made by the Contractor in writing within 14 days of the happening of the event causing delay on the prescribed form. The Contractor

may also, if practicable, indicate in such a request the period for which extension is desired.

4. In any such case the authority mentioned in Schedule “AA” may give a fair and reasonable extension of time and reschedule the milestones for completion of work. Such extension shall be communicated to the Contractor by the Engineer-in-Charge in writing within 3 months of the date of receipt of such request. Non application by the Contractor for extension of time shall not be a bar for giving a fair & reasonable extension by the Engineer-in-Charge and this shall be binding on the Contractor.

SCHEDULE-AA

Number of days from the date of issue of letter of acceptance for reckoning date of start_____ days

Mile stone(s) as per table given below:

Table of Mile Stone (s)

Sr.No.	Description of Milestone(Physical)	Time Allowed in days (from date of start)	Amount to be with held in case of non achievement of milestone.

OR

Sr.No.	Financial Progress	Time Allowed in days (from date of start)	Amount to be with held in case of non achievement of milestone.
1.	1/8 th (of whole work)	1/4 th (of whole work)	In the event of not achievement the necessary progress as assessed from the running payments, 1% of the tender value of work will be with held for failure of each mile stone.
2.	3/8 th (of whole work)	1/2 th (of whole work)	-do-
3.	3/4 th (of whole work)	3/4 th (of whole work)	-do-
4.	Full	Full	-do-

Time allowed for execution _____

Clause 2 A :- Incentive for early completion.

(Applicable for works of tendered value more than 50 lacs (Fifty Lacs). In case , the contractor completes the work ahead of scheduled completion time, a bonus @ 1% (one present) of the tendered value per month computed on per day basis , shall be payable to the contractor ,subject to a

maximum limit of 5% (five percent) of the tendered value. The amount of bonus, if payable, shall be paid along with final bill after completion of work. Provided always that provision of the clause 2-A shall be applicable only when so provided in schedule "F". (as per approval of Govt. vide letter No. PBW(B)C(17)2/2012 dated 07/08/2018)

CLAUSE 3 :-

The Engineer-in-Charge may without prejudice to this right against the contractor in any respect of any delay or inferior workmanship or otherwise or to any claims for damage in respect of any breaches of the contract and without prejudice to any rights or remedies under any of the provisions of this contract or otherwise and whether the date for completion has or has not elapsed by notice in writing absolutely delay determine the contract in any of the following case :

- (i) If the contractor having been given by the Engineer-in-Charge a notice in writing to rectify, reconstruct or replace any defective work or that the work is being performed in any inefficient or otherwise improper or unknown like manner shall omit to comply with the requirements of such notice for a period of seven days thereafter
- (ii) if the contractor has ,without reasonable cause ,suspended the progress of the work or has failed to proceed with the work with due diligence so that in the opinion of the Engineer-in-Charge (which shall be final and binding) he will be unable .to secure completion of the work by the date for completion and continue to do so after a notice in writing of seven days from the Engineer-in-Charge.
- (iii) If contractor fails to complete the work within the stipulated date or items of work with individual date of completion ,if any stipulated , on or before such date(s) of completion and does not complete them within the period specified in the notice given in writing in that behalf by the Engineer-in-Charge.
- (iv) If contractor persistently neglects to carry out his obligations under the contract and or commit default in complying with any of terms and conditions of the contract and does not remedy it or take effective steps to remedy it within 7 days after a notice in writing is given to him in that behalf by the Engineer-in-Charge.
- (v) The contractor shall offer or give or agree to give to any person in Govt service or to any other person on his behalf any gift or consideration of any kind as an inducement or reward or reward for doing or forbearing to do or for having done or forborne to do any act in relation to the obtaining or execution of this or any other contract for Government.
- (vi) If the contractor shall enter in to contract with the Govt in connection with which commission has been paid or agreed to be paid by him or to his knowledge ,unless the particulars of such commission and the terms of payment thereof have been previously disclosed in writing to the Engineer-in-Charge.
- (vii) If contractor shall obtain a contract with Government as a result of wrong tendering or other non-bona-fide methods of competitive tendering.
- (viii) If the contractor being an individual or if firm, any partner thereof shall at any time be adjudged insolvent or have a receiving order or order for administration of his estate made against him or shall take any proceedings for liquidation or composition (other than a voluntary liquidation for purpose of amalgamation or reconstruction) under any solvency act for the time being in force for the sequestration of his estate or if a trust deed be executed by him for benefit of his creditors.
- (ix) If the contractor being a company shall pass a resolution or the court shall make an order that the company shall be wound up or if a receiver or a manager on behalf of a creditor shall be appointed or if circumstances shall arise which entitle the Court or creditor to appoint a receiver or manager or which entitle the court to make a winding up order.
- (x) If contractor shall suffer an execution being levied on his goods and allow to be continued for period of 21 days .
- (xi) If contractor assigns ,transfer ,sublets (engagement of labour on piece work basis or labour with material not to be incorporated in the work ,shall not be deemed to be subletting) or otherwise parts with or attempts to assign ,transfer, sublet or otherwise parts with the entire works or any portion thereof without prior written approval of the Engineer-in-Charge.

(xii) If the work is not started by the contractor within 1/8 of the stipulated time .
When the contractor has made himself liable for action under any of the cases aforesaid, the Engineer-in-Charge on behalf of the Governor of Himachal Pradesh shall have powers.

(a) To determine or rescind the contract as aforesaid (of which termination or rescission notice in writing to the contractor under the hand of the Engineer-in-Charge shall be conclusive evidence). Upon such determination or rescission the security deposit of the contractor shall be liable to be forfeited and shall be absolutely at the disposal of Government.

(b) To employ labour paid the P.W.D. Department and to supply material to carry out the works or any part of the work debiting the contractor, with the cost of the labour and the price of the materials (of the amount of which cost and price certified by the Engineer-in Chief shall be final and conclusive against the contractors) and crediting him with the value of the work done in all respects in the same manner and at the same rates as if it had been carried out by the contractor, under the terms of his contract. The certificate of the Divisional Officer as to the value of the work done shall be final and conclusive against the contract or provided always the action under the sub-clause shall only be taken after giving notice in writing to the contractor. Provided also that if the expenses incurred by the department are less than the amount payable to the contractor at his agreement rates, the difference should not be paid to the contractor.

(c) After giving notice to the contractor to measure up the work of the contractor and to take such part thereof as shall be unexpected out of his hands and to give it to another contractor to complete in which case any expenses which may be incurred in excess of the sum which would have been paid to the original contractor if the whole work had been executed by him of the amount of which excess (the certificate in writing of the Engineer-in-Charge shall be final and conclusive) shall be borne and paid by the original contractor and may be deducted from any money due to him by Government under this contract or on any other account whatsoever or from his security deposit or the proceeds of sales thereof or a sufficient part thereof as the case may be.

In the event of any one or more of the above courses being adopted by the Engineer-in-Charge the contractor shall have no claim to compensation for any loss sustained by him by reason of his having purchased or produced any materials or entered into any engagements or made any advances on account or with a view to the execution of the work of the performance of contract. And in case action is taken under any of the provisions aforesaid, this contractor shall not be entitled to recover to be paid any sum of any work thereto for actually perform under the contract unless and until the Engineer-in-Charge has certified in writing the performance of such work and the value payable in respect thereof and he shall only be entitled to be paid the value so certified.

**CLAUSE 4 : Contractor to remain liable to pay compensation if action not taken under Clause 3.
Powers to or take possession of or removal of contractors plant.**

In any case in which any o the powers conferred upon the Engineer-in-Charge by clause 3 hereof, shall have become exercisable and the same shall not be exercised the non-exercised thereof shall not constitute a waiver of any of the conditions hereto and such powers shall notwithstanding be exercisable in the event of any future case of default by the contractor and the liability of the contractor for compensation shall remain unaffected. In the event of the Engineer-in-Charge putting in force all or any of the powers vested in him

under the preceding clause he may, if he so desires after giving a notice in writing to the contractor to take possession of (or at the sole discretion of the Engineer-in-Charge which shall be final) use as on hire (the amount of hire money being also in the final determination of the Engineer-in-Charge which shall be final) use as on hire (the amount of hire money being also in the final determination of the Engineer-in Charge) all or any tools, plant, materials and stores, in or upon the works of the site thereof, belonging to the contractor, or

procured by the contractor and intended to be used for the execution of the work or any part thereof, paying or allowing for the same in account at the contract rates, or in the case of these not being applicable at current market rates to certified by the Engineer-in-Charge, whose certificate thereof shall be final, otherwise the Engineer-in-Charge by notice in writing may order the contractor or his clerk or the works foreman or other authorized agent to remove such tools, plant, material or stores from the Premises (within a time to be specified in such notice), and in the event of the contractor failing to comply with any such

requisition, the Engineer-in-Charge may remove them at the contractor's expense or sell them by auction or private sale on account of the contractor and at his risk in all respects and the certificate of the Engineer-in-Charge to the expense of any such removal and the amount of the proceeds and expense of any such sale shall be final and conclusive against the contractor.

CLAUSE 5 : Extension of Time

The time allowed for execution of work as specified in the Schedule "AA" or the extended time in accordance with these conditions shall be the essence of the contract. The execution of the works shall commence from such time period as mentioned in schedule. If the contractor shall desire an extension of time for completion of the work on the grounds of his having been unavoidably hindered in its execution or on any other ground, he shall apply in writing to the General Manager within 30 days of the date of hindrance on account of which he desires such extension as aforesaid and the General Manager shall, if in his opinion (which shall be final) reasonable grounds be shown therefore, authorize such extension of time, if any, as may, in his opinion be necessary or proper.

SCHEDULE-AA

Number of days from the date of issue of letter of acceptance for reckoning date of start days
Mile stone(s) as per table given below:

Table of Mile Stone (s)

Sr.No.	Description of Milestone(Physical)	Time Allowed in days (from date of start)	Amount to be with held in case of non achievement of milestone.

OR

Sr.No.	Financial Progress	Time Allowed in days (from date of start)	Amount to be with held in case of non achievement of milestone.
1.	1/8 th (of whole work)	1/4 th (of whole work)	In the event of not achievement the necessary progress as assessed from the running payments, 1% of the tender value of work will be with held for failure of each mile stone.
2.	3/8 th (of whole work)	1/2 th (of whole work)	-do-
3.	3/4 th (of whole work)	3/4 th (of whole work)	-do-
4.	Full	Full	-do-

Clause 6

Engineer-in Charge shall except as other wise provided ascertain and determine by measurement ,the value in accordance with contract of work done

All measurement of all items having financial value shall be entered in measurement book and /or level field book so that complete record is obtained of all works performed under the contract .

All measurement and the level shall be taken jointly by the Engineer-in-Charge or his authorized representative and by the contractor or his authorized representative from time to time during the progress of the work and such measurements shall be signed and dated by the Engineer-in-charge and the contractor

or their representative as token of acceptance .If the contractor objects to any measurement recorded , a note shall be made to effect with reason and signed by both the parties .

If for any reason the contractor or his authorized representative is not available and the of recorded measurement is suspended by engineer-in-Charge or his representative ,the Engineer-in-Charge ,and the department shall not entertain any claim from the contractor for any loss or damages on this account .If the contractor or his authorized representative does not remain present at the time of such measurement after the contractor or his authorized representative has given a notice in writing three days in advance of fails to countersign or record objection within a week from the date of measurement ,then such measurement recorded in his absence by the Engineer-in-Charge or his representative shall deemed to be accepted by the contractor.

The contractor shall without extra charge provided all assistance with every application, labour and other things necessary for the measurement and recording levels. Except where any general or detailed description of the work expressly shows to the contrary measurement shall be taken in accordance with the procedure set forth in the specifications notwithstanding any provision in the relevant standard method of measurement or any general or local custom. In the case of the items which are not covered by specifications ,measurement shall taken in accordance with relevant standard method of issued by Bureau of Indian standard and if for any item no such standard is available ,then a mutually agreed method shall be followed .

The contractor shall give ,not less seven days ,notice to the Engineer-in-Charge or his authorized representative in charge of work ,before covering otherwise placing beyond the reach of measurement any work in order that same may be measured and corrected dimensions thereof be taken before same is covered up or placed beyond reach of measurement and shall not cover up and lace beyond reach measurement any work without consent in writing of Engineer-in Charge or his authorized representative in-charge of work who shall within the aforesaid period of seven days inspect the work ,and if any work shall covered up or the Engineer-in-Charge 's consent being obtained in writing ,and same shall be uncovered at the expense of contractor or in default thereof no payment or allowance shall be made for such work or the materials with which the same was executed .

Engineer-in-Charge or his authorized representative may cause either themselves or through another officer of the department to check the measurement recorded jointly or otherwise as aforesaid and all provisions stipulated herein above shall be applicable to checking of measurement or levels .It is also term of this contract that recording of measurement of any item of work in the measurement book and /or its payment in the interim ,on account or final bill shall not be considered as conclusive evidence as to the sufficiency of any work or the material to which it relates nor it shall relieve the contractor from liabilities from any over measurement or defects noticed till the completion of defect liability period.

Clause 7 : Payment of intermediate certificate to be regarded as advance

No Payment shall be made for the work having estimated cost of Rs. Two lakhs or less till whole of the work have been completed and certificate of completion given. For works having estimated cost over Rs. Two lakhs, the interim or running account bills shall be submitted by the contractor for the work executed on the basis of such recorded measurements on the format of the Department in triplicate on or before the date of every month fixed for the same by the Engineer-in-Charge. The contractor shall not be entitled to be paid any such interim payment if the gross work done together with net payment/adjustment of advances for material collected, if any, since the last such payment is less than the amount specified in Schedule 'F', in which case the interim bill shall be prepared on the appointed date of the month after the requisite progress is achieved. Engineer-in-charge shall arrange to have the bill verified by taking or causing to be taken, where necessary, the requisite measurements of the work. In the event of the failure of the contractor to submit the bills, Engineer-in-Charge shall prepare or cause to be prepared such bills in which event no claims whatsoever due to delays on payment including that of interest shall be payable to the contractor. Payment on account of amount admissible shall be made by the Engineer-in-Charge certifying the sum to which the contractor is considered entitled by way of interim payment at such rates as decided by the Engineer-in-Charge. The amount admissible shall be paid by 10th working day after the day of presentation of the bill by the Contractor to the Engineer-in-Charge or his Assistant Engineer together with the account of the material issued by the department, or dismantled materials, if any. In the case of works outside the headquarters of the Engineer-in-Charge, the period of ten working days will be extended to fifteen working days.

All such interim payments shall be regarded as payment by way of advances against final payment only and shall not preclude the requiring of bad, unsound and imperfect or unskilled work to be rejected, removed, taken away and reconstructed or re-erected. Any certificate given by the Engineer-in-Charge relating to the work done or materials delivered forming part of such payment, may be modified or corrected by any subsequent such certificate(s) or by the final certificate and shall not by itself be conclusive evidence that any work or materials to which it relates is /are in accordance with the contract and specifications . Any such interim payment or any part thereof shall not in any respect conclude, determine or affect in any way of powers of the Engineer-in-Charge under the contract or any of such payments be treated as final settlement and adjustment of accounts or in any way vary or affect the contract.

Pending consideration of extension of date of completion, interim payments shall continue to be made as herein provided without prejudice to the right of the department to take action under the terms of this contract for delay in the completion of work, if the extension of date of completion is not granted by the competent authority.

The Engineer-in-Charge in his sole discretion on the basis of certificate from the Assistant Engineer to the effect that the work has been completed upto the level in question make interim advance payments without detailed measurements for work done (other than foundations, items to be covered under finishing items) upto lintel level (including sunshade etc.) and slab level, for each floor working out at 75% of the assessed value. The advance payments so allowed shall be adjusted in the subsequent interim bill by taking detailed measurements thereof.

CLAUSE 8 : Completion Certificate and completion plans

Within ten days of the completion of the work the contractor shall give notice of such completion to the Engineer-in-Charge and within **fifteen** days of the receipt of such notice, the Engineer-in-Charge shall inspect the work and if there is no defect in the work shall furnish the contractor with a certificate of completion otherwise a provisional certificate of completion, indicating defects (a) to be rectified by the contractor and/or (b) for which payment will be made at reduced rates, shall be issued but no certificate of completion, provisional or otherwise, shall be issued, not shall work be considered t be completed until the contractor shall have removed from the premises on which the work shall be executed all scaffolding surplus materials, rubbish and all huts and sanitary arrangements required for his/their work people on the site on connection with the execution of the work as shall have been erected or constructed by the contractors (s) and

cleaned off the dirt from all wood work, doors, windows, wall, floors or other parts of any building in, upon or about which work is to be executed or of which he may have had possession for the purpose of the execution thereof a not until the work shall have been measured by the Engineer-in-Charge if the contractor shall fail to

comply with the requirements of this clause as to removal of scaffolding surplus materials and rubbish and all huts and sanitary arrangements as aforesaid and cleaning of dirt on or before the date of fixed for the completion of the works, the Engineer-in-Charge may at the expense of the contractor remove such scaffolding, surplus material and rubbish etc. and dispose of the same as he thinks fit and clean off such dirt as aforesaid and the contractor shall have no claim in respect of any such scaffolding or surplus material as aforesaid except for any sum actually realized by the sale the thereof.

***N.B. :-** Ten days will apply in the case of work at the headquarters of the Engineer-in-Charge and thirty days will apply in the case of works at a station other than the headquarters of Engineers-in-Charge. In case the contract value is more than Rs.30 lakhs, the completion shall be to the satisfaction of the Chief General Manager concerned.*

Clause 8-A : contractor to keep site clean

When the annual repairs and maintenance work is carried out, the splashes and dropping from white washing, colour washing, painting etc. on walls, floors, doors, windows etc. shall be removed and the surface cleaned simultaneously with the completion of those items of work in the individual rooms, quarters of premises etc. whether the work is done without waiting for the actual completion of all other items of work in the contract. In case the contractor fails to comply with requirements of this clause, the Engineer-in-Charge shall have the right to get his work done at the cost of contractor, either departmentally or through another agency. Before taking such action, the Engineer-in-charge shall give ten days notice in writing to the contractor.

CLAUSE 8 B :Completion plans to be submitted by contractor

The contractor shall submit completion plan as required vide General Specifications for Electrical works as applicable within the thirty days of completion of work .In case contractor fails to submit the completion plans as aforesaid ,he shall be liable to pay a sum of 2.5% of the value of work subject to ceiling of Rs 15000(Rupees fifteen thousands) as may be fixed by the Chief General Manager concerned and in this respect the decision of Chief General Manager shall be final and binding on the contractor.

CLAUSE 9 : Payment of final Bill

The final bill shall be submitted by the contractor in the same manner as specified in interim bills within three months of physical completion of the work or within one month of date of final certificate of completion furnished by Engineer-in-Charge which ever is earlier. No further claims shall be made by the contractor after the submission of final bill and these shall be deemed to have been waived and extinguished .Payments of those items of the bill in respect of which there is no dispute ,for the quantity and rates as approved by Engineer-in-Charge ,will as far as possible be made within period specified here in under, the period being reckoned from the receipt of the bill by the Engineer-in-Charge or his authorized Assistant Engineer ,complete with account of materials issued by the department and the dismantle material

- (i) If the Tendered value of work is up to Rs. 15.00 lakhs : 3 months
- (ii) If the Tendered value of work exceeds Rs. 15.00 lakhs : 6 months

CLAUSE 9A : Payment of Contractors Bills to Bank

Payment due to the contractor may, if so desired by him be made to his bank , instead of direct to him, provided that the contractor furnishes to the Engineer-in-charge (1) an authorization in the form of a legally valid document such as a power of attorney conferring authority on the bank to receive payment and (2) his own acceptance of the correctness of the account made out as being due to him by Government or his signature on the bill or other claim preferred against Government, before settlement by the Engineer-in-Charge of the account or claim by payment to the bank. While the receipt given by such bank shall constitute a full and sufficient discharge for the payment the contractor should, wherever possible, present his bills duly receipted and discharged through his bankers. Nothing herein contained shall operate to create in favour of the bank any right or equities vis-à-vis the Governor.

CLAUSE 10: STORES SUPPLIED BY GOVERNMENT

~~Material which Government will supply are shown in schedule 'B' which also stipulates quantum ,place of issue and rates(s) to be charged in respect thereof .The contractor shall be bound to procure them from the Engineer in Charge.~~

~~If the specifications or schedule of items provided for the use of any special materials to be supplied from Engineer-in-charge's stores, or if it is required that the contractor shall use certain stores to be provided by the Engineer in Charge as shown in the schedule of materials hereto annexed, the contractor shall be bound to procure and shall be supplied such materials and stores as are from time to time required to be used by him for the purposes of contract only, and the value of the full quantity of materials and stores so supplied at the rate specified in the said schedule of materials may be set off or deducted from any sums then due, or thereafter to become due to the contractor under the contract, or otherwise, against or from the security deposit, or the proceeds of sale thereof if the same is held in so supplied the contractor shall remain the absolute property of the Government and shall not be removed on any account from the site work and shall be at all times open to inspection by the Engineer-in-Charge. Any such materials remaining unused and in perfect good condition at the time of the completion or determination of the contract shall be returned to the Engineer in charge at a place directed by him, if by a notice in writing under his hand he shall so require but the contractor shall not be entitled to return any such materials unless with such consent, and shall have no claim for compensation on account of any such materials so supplied to him as aforesaid not being used by him or for any wastage in or damages to any such materials. On being required to return the store materials the contractor shall handover the stores/materials on being paid or credited such price as the Engineer-in-Charge shall determine having due regard to the conditions of the stores/materials. The price allowed to the contractor, however, shall not exceed the amount charged to him exceeding the storage if any. The decision of the Engineer-in-Charge shall be final and conclusive. In the event of breach of the aforesaid condition, the contractor shall in addition to throwing himself open to account or contravention to the terms the licenses or permit and/or for criminal breach of trust be liable to Govt. For all advantages or profits resulting or which~~

~~in the usual course would have resulted to him by reason of such breach. Provided that the contractor shall no case be entitled to any compensation or damages on account of any delay in supply or non-supply thereof of all any such material and stores. Provided further that the contractor shall be bound execute the entire work if the materials are supplied by the Government within the scheduled time for completion of the work plus 50 percent thereof (Scheduled time 6 months is the time of completion of the work. Exceeds 12 months) but if a part only of the materials has been supplied within the aforesaid period, then the contractor shall be bound to do so much of the work as may be possible with the materials and stores supplied in the aforesaid period. For the completion of the rest of the work the contractor shall be entitled to such extension of time as may be determined by the Engineering Charge whose decision in this regard shall be final. Surplus materials which were originally procured, by the contractor for themselves can also be taken over by Government if required of use, other work in progress, only on special arrangements and the prevailing markets rates (i.e. rates at which the articles of similar description can be procured at given time at the stores godown, from the public market suitable to division for obtaining a supply thereof).~~

~~The material supplied under clause 10 shall not be construed as "Sales" for determining the sales tax under H.P General Sales Tax Act 1968.~~

DETAIL STORES TO BE SUPPLIED BY DEPARTMENT

Sr.No	Item of Stores supplied by Deptt	Unit	Rate i/c all charges	Place of issue of Store
.....
.....
....

The store shall be issued forNo. items only

(Deleted as per approval of Govt. vide letter No. PBW(B)C(17)2/2012 dated 07/08/2018)

CLAUSE 10-A : Material provided by contractor

The contractor shall at his own expenses shall provide all material required for the works. The material so approved is to be arranged by the contractor from market and shall be of any of preferable brands as mentioned in the " list of preferred makes for Civil/Sanitary works."(Specified in schedule F Sr. No. 6.14 (ii) except cement, which shall be procured by the contractor at his own from depots of civil supplies corporation against the approval/permit issued by the concerned General Manager as per requirement/ consumption. Further, if any material required by the contractor to be issued from store, the same will be issued on proportionate market rates to be derived on the basis of agreement rates and no input tax credits etc. Will be given to the contractor on the said materials issued from store. The contractor shall at his own expenses without any delay, supply to Engineer-in-Charge samples of materials to be used on the work and shall get these approved in advance. All such materials to be provided by the contractor shall be in conformity with the specifications laid down or referred in the contract. The contractor shall, if requested by Engineer-in-Charge furnish proof to the satisfaction of Engineer-in-Charge that material so comply. The Engineer-in-Charge shall within thirty days of supply of samples or within such further period as he may require intimate to Contractor in writing whether samples are approved by him or not .If samples are not approved, the contractor shall forthwith arrange to supply to the Engineer-in-Charge for his approval, fresh samples complying with the specifications laid down in the contract .When materials are required to be tested in accordance with specifications, approval of Engineer-in-Charge shall be issued after the test result are received.

The contractor shall at his risk and cost submit the samples of material to be tested or analyzed and shall not make use or incorporate in the work any material represented by the samples until required tests or analysis have been made and material fully accepted by the Engineer-in-Charge. The contractor shall not be eligible for any claim or compensation either arising out of any delay in the work or due to any corrective measure required to be taken on account of and result of testing of materials.

The contractor shall at his own risk and cost ,make all arrangements and shall provide all facilities as the Engineer-in-Charge may require for collecting ,and preparing the required numbers of samples for such

time and such place or places as may be directed by the Engineer-in-Charge and bear all charges and cost of testing unless specifically provided for otherwise elsewhere in the contract or specifications. The Engineer-in-Charge or his authorized representative shall at all the times have access to the work and to all workshop and places where work is being prepared or from the materials, manufactured articles or machinery are being obtained for the works and contractor shall afford every facility and every assistance the right to such access. The Engineer-in-Charge shall have full powers to require the removal of material. The Engineer-in-charge shall have full powers to require the removal from the premises of all materials which in his opinion are not in accordance with the specifications and in case of default the Engineer-in-charge is to be at liberty to employ other persons to remove the same without being answerable or accountable for any loss or damage that may happen or arise to such materials. The Engineer-in-Charge shall also have full powers to require other proper materials to be substituted thereof and in case of default the Engineer-in-charge may cause the same to be supplied and all cost which may attend such removal and substitution are to be borne by the contractor. The contractor shall at his own expense, provide a material testing lab at site of work for conducting routine field tests. The lab shall be equipped at least with testing equipment as specified in schedule F. Refer Sr.6.14 (i).

(as per approval of Govt. vide letter No. PBW(B)C(17)2/2012 dated 07/08/2018)

CLAUSE 10B : Secured advance on non perishable material

The contractor on signing an indenture in the form to be specified by the Engineer-in-Charge shall be entitled to be paid during the progress of the execution of the work up to 75 percent of the estimated value of any materials which are in the opinion of the Engineer-in-charge non-perishable, non fragile, non combustible and are in accordance with the contract and which have been brought on the site in connection therewith and are adequately stored and/or protected against damage by weather or other cause but which have not at the time of advance been incorporated in the works. When materials on account of which an advance has been made under this sub clause are incorporated in the work, the amount of such advance shall be deducted from the next payment made under any of the clause of clauses of this contract.

Such secured advance shall also be payable on other items of perishable nature, fragile and combustible with the approval of Engineer-in-Charge provided the contractor provide a comprehensive insurance cover for the full cost of such materials. The decision of Engineer-in-charge shall be final and binding on the contractor in this matter. No secured advance shall, however, be paid on high risk materials such as ordinary glass, sand, petrol, diesel, etc. **No mobilization advance shall be paid for machinery.**

CLAUSE 10C: Payments on account of increase in prices /wages due to statutory orders —

Applicable where time of completion is 12 month or less.

~~If during the progress of the works, the price of any materials incorporated in the works, (not being a material supplied from the Engineer in charge's stores in accordance with clause 10 here of and/or wages of labour increases as a direct result of the coming into force of any fresh law, or statutory rule or order (but not due to any changes in sales tax) and such increase exceeds ten percent of the price and for wages prevailing at the time of acceptance of the tender for the work, and the contract or thereupon necessarily and properly pays in respect of that materials (incorporated in the works) such increased price and/or in respect of labour engaged on the execution of the work such increased wages, then the amount of the contract shall accordingly be varied; provided always that any increase so payable is not, in the opinion of the Chief General Manager (whose decision shall be final and binding) attributable to delay in the execution of the contract with in the control of the contractor. If during the process of works, the price of any material incorporated in the works (not being a material supplied from the Engineer in charge's stores in accordance with clause 10 hereof) and/or wages of labour is decreased and a direct result of the coming into the force of any fresh law or statutory rule order (but not due to any changes in sales tax) and such decrease exceeds ten percent of the price and/or wages prevailing at the time of acceptance of the tender for the work. Government shall in respect of materials incorporated in the works (not being materials supplied from the Engineer in Charge's stores in accordance with clause 10 thereof and/or labour engaged on the execution of the work after the date of the coming into force of such law, statutory rule or order be entitled to deduct from the dues of the contractor such amount as shall be equivalent to difference between the prices of materials and/or wages as they prevailed at the time of acceptance of tender for the work minus ten percent thereof and the prices of materials and/or wages of labour on the coming into force of such law; statutory rule or order. The contractor shall, for the purpose of this condition keep such books of account~~

~~and other documents as are necessary to show the amount of any increase claimed or reduction available and shall allow inspection of the same by a duly authorized representative of Government, and further shall, at the request to the Engineer in Charge furnish, verified in such a manner as the Engineer in Charge may require, any documents so kept and such other information as the Engineer in Charge may require. The contractor shall, within a reasonable time of his becoming aware of any alteration in the price of any such material and/or wages of labour, give notice thereof to the Engineer in Charge stating that the same is given pursuant to this condition together with all information relating thereto which he may be in a position to supply. Only increase exceeding 10% on the price of material and/or wages is to be reimbursed and up to 10% increase on the Price of material and/or wages of labour is to be borne by the contractors. No adjustment of profit is allowed under clause 10 C.~~

Clause 10(CA) :- (strike if not applicable in offline mode)

~~if after submission of the tender, the price of cement, steel, bitumen and POL incorporated in the works (not being a materials supplied from the Engineer in charge's store) increases beyond the prices prevailing at the time of last stipulated date for receipt of tender for the work, then the amount of contract shall accordingly be varied in accordance with the following principles and procedure and as per formula given in the contract date:-~~

~~(a) The price adjustment shall apply for the work, done from the start date given in the contract data upto end of the initial intended completion date or extensions granted by Engineer with the prior approval in writing of the Superintending Engineer before expiry of the stipulated schedule laid down in the agreement and shall not apply to the work carried out beyond the stipulated time for reasons attributable to the contractor.~~

~~(b) No contractor's profit shall be admissible/payable in the resultant differential/incremental amount due to increase in prices.~~

~~(c) The price adjustment shall be determined during each month from the formula given in the contract data.~~

~~(d) if there is decrease in prices of these materials, Government shall be entitled to deduct from the dues of the contractors such amount as shall be equivalent to the difference between the prices of these materials as prevailed at the time of last stipulated date for receipt of tender, including extensions, if any for the work.~~

~~(e) Following expressions and meanings are assigned to the work done during each month:~~

~~R = Total value of work done during the month. it would include the amount of secured advance granted, if any during the month, less the amount of secured advance recovered, if any during the month. It will exclude value for works executed under variations for which price adjustment will be worked out separately based on the terms mutually agreed.~~

The formula (e) for adjustment of prices are:-

~~R = Value of work as defined below (e) above.~~

Adjustment for cement component

~~Price adjustment for increase or decrease in the cost of cement procured by the contractor shall be paid in accordance with the following formula:~~

$$V_c = \frac{0.85 * P_c * R * (C_i - C_o)}{100 C_o}$$

~~V_c = Increase or decrease in the cost of work during the month under consideration due to changes in rates for cement.~~

~~Co = The All India Wholesales price index for cement published by Economic Advisor to Govt of India ,Ministry of Industry on the 28 days preceding the opening of bid.~~

~~Ci = The All India Wholesales price index for cement published by Economic Advisor to Govt of India ,Ministry of Industry & Commerce for the month under consideration.~~

~~Pe = Percentage of cement component of the work.~~

~~†~~

~~Adjustment for steel component.~~

~~Price adjustment for increase or decrease in the cost of steel procured by the contractor shall be paid in accordance with the following formula:~~

$$\frac{Vs = 0.85 * Ps * R * (Si - So)}{100 So}$$

~~Vs = Increase or decrease in the cost of work during the month under consideration due to changes in the rates for steel.~~

~~So = The All India Wholesales price index for Steel (Bars & rods) published by Economic Advisor to Govt of India ,Ministry of Industry on the 28 days preceding the opening of bid.~~

~~‡~~

~~Si = The All India Wholesales price index for Steel (Bars & Rods) published by Economic Advisor to Govt of India ,Ministry of Industry & Commerce for the month under consideration.~~

~~Ps = Percentage of steel component of the work.~~

~~Note: for the application of this clause, index of Bars and Rods has been chosen to represent steel group.~~

~~Adjustment of bitumen component:~~

~~Price adjustment for increase of decrease in the cost of bitumen shall be paid in accordance with the following formula:~~

$$\frac{Vb = 0.85 * Pb * R * (Bi - Bo)}{100 Bo}$$

~~Vb = Increase of decrease in the cost of work during the month under consideration due to changes in rates for bitumen.~~

~~Bo = The official retail price of bitumen at the IOC depot at nearest center on the day 28 days prior to date of opening of Bids.~~

~~Bi = The official retail price of bitumen of IOC depot at nearest center for the 15th of the month under consideration.~~

~~Pb = Percentage of bitumen component of the work.~~

~~Adjustment of POL (Fuel and Lubricant) component:~~

~~Price adjustment for increase or decrease in cost of POL (fuel and lubricant) shall be paid in accordance with the following formula:~~

$$V_f = \frac{0.85 * P_f * R * (F_i - F_o)}{100}$$

~~V_f = Increase or decrease in the cost of work during the month under consideration due to changes in rates for fuel and lubricants.~~

~~F_o = The official retail price of High Speed diesel (HSD) at the existing consumer pumps of IOC at nearest center on the day 28 days prior to the date of opening of Bids.~~

~~F_i = The official retail price of HSD at the existing consumer pumps of IOC at nearest center for the 15th day of month of the under consideration~~

~~P_f = Percentage of fuel and lubricants component of the work.~~

~~Note: For the application of this clause, the price of High Speed diesel oil has been chosen to represent fuel and lubricants group.~~

Materials Covered under 10 CA	Nearest Materials (other than cement, reinforcement bars and structural steel) for which All India Wholesale Price Index to be allowed.	Base Price of all the materials covered under clause 10CA

Clause 10 CC :-(Strike if not applicable in offline mode)

~~If the prices of materials (not being materials supplied or services rendered at fixed prices by the Dept. in accordance with clause 10 and 34 hereof) and/or wages of labour required for execution of the work increase, the contractor shall be compensated for such increase as per provisions detailed below and the amount of the contract shall accordingly be varied, subject to the condition that such compensation for escalation in prices shall be available only for the work done during the stipulated period of the contract including such period for which the contract validity is extended under the provisions of clause 5 of the contract without any action under clause 2 and also subject to the condition that no such compensation shall be payable for a work for which the stipulated period of completion is 12 months or less. Such compensation for escalation in the prices of materials and labour, when due, shall be worked out based on the following provisions, provided always that any increase so payable is not, in the opinion of the Chief General Manager (whose decision shall be final and binding) due to delay attributable to the contractor in the execution of work :~~

~~1. The base date for working out such escalation shall be the last date on which tenders were stipulated to be received.~~

~~2. The cost of work on which escalation will be payable shall be reckoned as 85% of the cost of work as per the bills, running or final and from this amount the value of materials supplied under clause 10 of this contract or services rendered at fixed charges as per clause 34 of this contract, and proposed to be recovered in the particular bills shall be deducted before the amount of compensation for escalation is worked out, in the case of materials brought to site for which any secured advance is included in the bill the full value of such materials as assessed by the Engineer-in-Charge (and not the reduced amount for which secured advance has been paid) shall be included in the cost of work done for operation of this clause.~~

~~Similarly when such materials are incorporated in the work and the secured advance is deducted from the bill, the full assessed value of the materials originally considered for operation of this clause should be deducted from the cost of work shown in the bill, running or final. Further the cost of the work shall not include any work for which payment is made under clause 12 or 12(A) at prevailing market rates.~~

~~3. The components of materials, labour P.O.L etc. shall be pre determined for every work and incorporated in the conditions of contract attached to the tender, papers and the decision of the Engineer in Charge in working out such percentage shall be binding on the contractor.~~

~~4. The compensation for escalation for materials labour and P.O.L shall be worked out as per the formula given below:~~

Material:

$$i) VM = \frac{W * X * (MI - MI_0)}{100 MI_0}$$

~~VM = Variation in materials cost i.e. increase or decrease in the amount in rupees to be paid or recovered~~

~~W = Cost of work done, worked out as indicated in sub para 2 above~~

~~X = Component of materials expressed as percent of the total value of work~~

~~MI & MI₀ = All India whole sale index for commodities for the period under reckoning as published by the Economic Advisor to Government of India, Ministry of Industry and Commerce, for the period under consideration and valid at the time of receipt of tenders, respectively.~~

P.O.L only payable if worked on predetermined component in special conditions of contract

$$ii) VF = \frac{W * Z * (F1 - F1_0)}{100 F1_0}$$

~~VF = Variation in cost of fuel, oil and lubricant increase or decrease in rupees to be paid or recovered.~~

~~W = Value of work done, worked out indicated in sub para 2 above~~

~~Z = Component of P.O.L expressed percent of total value of work as indicated under the special conditions of contract~~

~~F1 & F1₀ = Average index number of wholesale price for group (fuel, power light and lubricant) as published weekly by the Economic Advisor to Government of India, Ministry of Industry and Commerce, for the period under consideration and valid at the time of receipt of tenders, respectively.~~

~~5. The following principals shall be followed while working out indices mentioned in sub para 4 above.~~

~~a) The compensation for escalations shall be worked out at quarterly intervals and shall be with respect to the cost work done during the three calendar months of the said work. The first such payment shall be made at the end of the three months after the month (excluding) in which the tender was accepted and there after the three months. At the time of completion of the work, the last period for payment might become less than three months, depending on the actual date of completion.~~

~~b) The index (MI/IF etc.) relevant to any quarter for which such compensation is paid shall be the arithmetical average of the indices relevant to the three calendar months. If the period up to date of completion after the quarter covered by the last such installment of payment, is less than three months the index MI₀ & F1₀ shall be the average of the indices for the month falling within that period.~~

~~c) The base index, MI & IF etc. shall be the one relating the month in which the tender was stipulated to be received.~~

6. **Labour** : The compensation for escalation for labour shall be worked out as per formula given below:

$$\text{iii) } VL = \frac{W * Y * (LI - Lio)}{100 Lio}$$

VL = Variation in labour cost i.e. increase or decrease in the amount in rupees to be paid or recovered.

W = Value of work done, worked as indicated in sub para 2 above

Y = Component of labour expressed as percent of the total value of work.

Lio = Minimum daily wage in Rupees of an unskilled adult male mazdoor, as fixed under any law, statutory rule or order as on the last date on which tenders for the work were to be received.

LI = Minimum wage in Rupees of an unskilled adult male mazdoor, as fixed under any law, statutory rule or order as applicable on the last day of the quarter previous to one during which the escalation is being paid.

7. The following principles will be followed while working out the compensation as per sub para 6 above.

a) The minimum wage of an unskilled male mazdoor mentioned in sub para 6 above shall be notified by the Latest notification issued by Department of Finance, Govt. of H.P. indicated in the Proforma of Schedules at Sr. No. 6.20. The Latest notification issued by the Govt. of Himachal Pradesh shall be followed for determining the labour rates in sub para 6.

b) The escalation for labour also shall be paid at the same quarterly intervals when escalation due to increase in cost of materials and/or P.O.L is paid under this clause, If such revision of minimum wages takes place during any such quarterly intervals, the escalation compensation shall be payable for work done in all quarters subsequent to the quarter in which the revision of minimum wages takes place.

c) Irrespective of variation in minimum wages of any category of labour, for the purpose of this clause, the variation in the rates for an unskilled adult male mazdoor alone shall form the basis for working out the escalation compensation payable on the labour component.

13

8. In the event the price of materials and/or wages of labour required for execution of the works decrease/s, there shall be downward adjustment of the cost of work so that such price of materials and/or wages of labour shall be deductible from the cost of work under this contract and in this regard formula herein before stated under this clause 10(cc) shall mutatis mutandis apply, provided that :

i) No such adjustment for the decrease in the price of materials and/or wages of labour afore mentioned would be made in case of contracts in which the stipulated period of completion of the work is Twelve months or less.

ii) The Engineer in charge shall otherwise be entitled to lay down the principles on which the provision of this sub clause shall be implemented from time to time and the decision of the Engineer in charge on this behalf shall be final and binding.

iii) Irrespective of actual period of construction, for works where stipulated period for construction is Twelve (12) months or less, sub clause 10(c) only will be applicable and where stipulated period for construction is more than Twelve (12) months, sub clause 10(cc) only will be applicable. Provided always that the provision of the preceding clause 10(c) shall not be applicable for contracts where provision of this clause are applicable but in case where provision of this clause aren't applicable the provision of clause 10(c) will become applicable. For the operation of sub clause 10(cc), the components of materials, labour, P.O.L as indicated in para (3) of the sub clause have been predetermined for different types of work and

~~shall be adopted depending on their applicability relevant to the work. The predetermined values are as below.~~

(A) Building Works

	Materials %age	Labour % age
1. Load bearing masonry Structures	75.00	25.00
2. RCC framed structures	80.00	20.00

(B) Road Works

1. Earth work (average) Classification	35.00	65.00
2. Retaining /Breast Wall	75.00	25.00
3. Cross drainage / Metalling / Tarring	80.00	20.00
4. For composite works involving earth work, Retaining structures etc. the percentages of material and Labour components shall be worked out on the basis of above percentages by taking their weighted means.		

(C) Bridge Works

1. Bridge i/e its components	85.00	15.00
2. For composite bridge works with provision for approach roads, the percentages of materials and labour components shall be worked out from Percentages indicated under (B) 1 to 4 above (c) 1 (as per approval of Govt. vide letter No. PBW(B)C(17)2/2012 dated 07/08/2018)		

Clause 10 D:Dismantled Material Govt property

The contractor shall treat all materials obtained during dismantling of a structure excavation of the site for a work etc., as Government property and such materials shall be disposed of to the best advantage of Government according to the instructions in writing issued by the Engineer-in-Charge.

CLAUSE 10E:

(i) Tendered rates are inclusive of all taxes and levies payable under the respective statues. However pursuant to the constitution (Forty Six Amendment) Act 1982. If any further tax or levy is imposed by statues, after the date of receipt of tenders, and the contractors thereupon necessarily and properly pays such taxes/levies the contractor shall reimburse the amount so paid provided such payment, if any, is not in the opinion of Chief General Manager (whose decision shall be final and binding) attributable to delaying executing of work within the control of the contractor.

(ii) The contractor shall keep necessary books of accounts and other documents for the purpose of this condition as may be necessary and shall allow inspection of the same by a duly authorized representatives of Government and further shall furnish such other information/documents as the Engineer-in-Charge may require.

(iii) The contractor shall within a period of 30 days of imposition of any further tax or levy. Pursuant to the constitution (Forty Six Amendment) Act, 1982 give a written notice thereof to the Engineer-in-Charge that the same is given pursuant to this condition together with all necessary information relating there to.

CLAUSE 11: Work to be executed in accordance with specifications, orders, drawing etc.

The contractor shall execute the whole and every part of the work in the most substantial and workman like manner and both as regards materials and otherwise in every respect in strict accordance with the specifications. The contractor shall also conform exactly, fully and faithfully to the designs, drawings and instructions in writing in respect of the work signed by the Engineer-in-Charge and the contractor shall be furnished free of charge one copy of the specifications, and all such designs, drawings and instructions as are not included in the Himachal Pradesh P.W.D specifications

For Building work H.P.W.D Specifications for buildings 1990

For Road work (Rural) Ministry of Rural department Govt of India specifications
for rural roads

For Road work (NH or CRF Roads)Ministry of Road Transport& Highway
Govt. of India specifications

These may be read with relevant code of practice of Bureau of Indian Standard(BIS) and relevant Indian Road Congress(IRC) codes with updated versions.

CLAUSE 12 : Deviations /variations extent and pricing

The Engineer-in-Charge shall have power to make any alteration in, omissions from addition to or substitution for the original specifications, drawings, designs and instructions, that may appear to him to be necessary during the progress of the work and the contractor shall carry out the work in accordance with any instructions which may be given to him in writing signed by the Engineer-in-Charge, and such alterations, omissions, additions or substitutions shall not invalidate the contract and any altered, additional or substituted work which the contractor may be directed to do in the manner above specified as part of the work shall be carried out by the contractor on the same condition in all respect on which he agreed to do the main work. The time for the completion of the work shall be extended in the proportion that the altered, additional or substituted work bears to the original contract work, and the certificate of the Engineer-in-Charge shall be conclusive as to such promotion. Over and above this, a further period to the extent of 25% of the time so extended shall be allowed to the contractor. The rates for such additional, altered or substituted work under this clause shall be worked out in accordance with the following provisions in their respective order:-

(i) If the rates for the additional altered or substituted work are specified in the contract for the work, the contractor is bound to carry out the additional, altered or substituted work at the same rates as are specified in the contract for the work.

(ii) If the rates for the additional, altered or substituted work are not specifically provided in the contract for the work, the rates will be derived from the rates for a similar class of work as are specifically in the contract for the work.

(iii) If the altered, additional or substituted work includes any work for which no rate is specified in the contract for the work and cannot be derived from the similar class of work in the contract then such work be carried out at the

rates entered in H.P. Schedule of Rates with up to the date correction of tender minus/plus percentage which the total tendered amount bears to the estimated cost of the entire work out to tender. HPSR 2009 for civil works, HPSR 2009for E.I. Works & HPSR 2009 for W.S. & S-I will be applicable.

(iv) If the rates for the altered, additional or substituted work cannot be determined in the manner specified in clauses (i) to (iii) above, then the rates for such work shall be worked out on the basis of the schedule of rates of the district specified above minus/plus the percentage which the total tendered amount bears to the estimated cost of the entire work put to tender. Provided always that if the rate for a particular part or parts of the item is not in the schedule rates the rate for such part or parts will be determined by the Engineer-in-Charge on the basis of prevailing, market rates when the work was done.

(v) If the rates for the altered, additional or substituted work cannot be determined in the manner specified in sub-clause (i) to (iv) above, then the contractor shall, within 7 days of the date of receipt of order to carry out the work, inform the Engineer-in-Charge of the rate which it is his intention to charge for such class of work, supported by analysis of the rate or rates claimed and the Engineer-in-Charge shall determine the rate or rates on the basis of prevailing market rates and pay the contractor accordingly. However, the Engineer-in-Charge, by notice in writing, will be at liberty to cancel his order out such class of work and arrange to carry it out in such manner as he may consider advisable. Under no circumstance, the contractor shall suspend the work on the plea of non-settlement of rates of items falling under this clause.

(vi) Except in case of item relating to foundation, provisions contained in sub-clause (i) to (v) above shall not apply to contract or substituted items as individually exceed the percentage set out in the tender documents (referred to herein below as “deviation limit”) subject to the following restrictions:-

(a) The deviation limit referred to above is the net effect (algebraical sum) of all additions and deduction ordered.

(b) In no case shall the additions/deductions (arithmetical sum) exceed twice the deviation limit.

(c)The deviations ordered in items of any individual trade included in the contract shall not exceed plus /minus 50% of the value of that trade in the contract as a whole or half the deviation limit whichever is less.

(d)The value of additions of items of any individual trade not already included in the contract shall not exceed 10% of the deviation limit.For the purpose of operation of clause 12 (vi) the following work shall be treated as work relating to foundations.

(i) For building plinth level 1.2 meter (4 ft.) above ground level whichever is lower, excluding items for flooring and D.P.C. but including base concrete below the floors.

(ii) For abutments piers, retaining walls of culverts and bridges walls of water reservoirs, the bed or floor level.

(iii) For retaining wall where floor level is not determine 1.2 meters above the average ground level or bed level.

(iv) For roads, all items of excavation and filling including treatment of sub-base and soling work.

(v) For water supply lines, sewer lines, under ground storm water drains and similar work in all items of work below ground level except items of pipe work proper masonry work.

(vi) For open storm water drains all items except lining of drains.

Note :- Individual trade means the trade sections into which a schedule of quantities annexed to the agreement has been divided or in the absence of any such division the individual sections of the Himachal Pradesh P.W.D. Department Schedule of Rates specified above such as excavation and earth work, concrete,

wood work and joinery etc. The rates of any such work except the items relating to foundations which is in excess of the deviation limit shall be determined in accordance with the provisions contained in clause 12-A.

The rates determined by the Engineer-in-Charge shall be subject to approval of competent authority, wherever required.

CLAUSE 12 A : In the case of contract or substituted items which individually exceed the quantity stipulated in the contract by more than the deviation limit except the items relating to foundation work which the contractor is required to do under clause 12 above the contractor shall within 7 days from the receipt of order claim revision of the rates supported by proper analysis in respect of such items for quantities in excess of the deviation limit, notwithstanding the fact that the rates for such items exist in the tender for the main work or can be derived in accordance with the provisions of sub-clause (ii) of clause 12 and the **competent authority** may revise their rates, having regard to the prevailing market rates and the contractor shall be paid in accordance with the rates so fixed. The Engineer-in-Charge shall, however, be at liberty to cancel as his order to carry out such increased quantities of work by giving notice in writing to the contractor and arrange to carry it out in such manner as he may be considered advisable. But under no circumstances the contractor shall suspend the work on the plea of non-settlement of rates of items falling under this clause. All the provision of the preceding paragraph shall equally apply to the decrease in the rates of items for quantities in excess of the deviation limit, notwithstanding the fact that the rates for such items exist in the tender for the main work or can be derived in accordance with the provisions of sub-clause (ii) of the preceding clause 12 and the **competent authority** may revise such rates having regard to the prevailing market rates.

CLAUSE 13: No compensation for alteration in the restriction of work to be carried out.

If at any time after the commencement of the work the Governor of Himachal Pradesh shall for any reason what so ever not require the whole work or part thereof as specified in the tender to be carried out the Engineer-in-Charge shall give notice in writing of the fact to the contractor who shall have no claim to any payment of compensation whatsoever on account of any profit or advantage which he might have derived from the execution of the work in full , but which he did not derive in consequence of the full amount of the work not have been carried out, neither shall he have any claim for compensation by reason of an alterations having been made in the original specifications, drawings, designs and instructions which shall involve any curtailment of the work as originally contemplated. Provided that the contractor shall be paid the charges on the cartage only of materials actually and bona fide brought to the site of the work by the

contractor and rendered surplus as a result of the abandonment or curtailment of the work or any portion thereof and then taken back by the contractor, provide however, that the Engineer-in-Charge shall have in all such cases the option of taking over all or any such materials at their purchase price of at local current rates whichever may be less. In the case of such stress, having been issued from Government stores, supervision charges and storage charges shall be refunded in addition to the issue rate of the material. In the case of such stores having been issued from Government stores and returned by contractor to Government stores, credit shall be given to him by Engineer-in-Charge at rates not exceeding those at which they were originally issued to him after taking into consideration any deduction for claims on account of the contractors and in this respect the custody of the contractor and in this respect the decision of the Engineer-in-charge shall be final.

CLAUSE 14: Action and Compensation in case of bad work.

It shall appear to the Engineer-in-Charge of his subordinate in charge of the work, that any work has been executed with unsound, imperfect or unskilled workmanship or with materials of any inferior description or that any materials or articles provided by him for the execution of the work are unsound or of a quality inferior to contracted for or otherwise not in accordance with the contract, the contractor shall on demand in writing which shall be made within six months of the completion of the work from the Engineer-in-Charge specifying the work, materials or article complained of notwithstanding that the same may have been passed, certified and paid for forthwith rectify or removal and reconstruct the work so specified in whole or in part, as the case may require or as the case may be, remove the materials or articles so specified and provide other proper and suitable materials of article i.e. own proper charge and cost and in the event of his failing to do so with in a period to be specified by the Engineer-in-Charge in his demand aforesaid then the contractor shall be liable to pay compensation at the rate of one percent on the tendered cost of the work for everyday not exceeding ten days while his failure to do so shall continue and in the case of any such failure the Engineer-in-Charge may rectify or remove or re-executive those work or remove and replace with other the materials or articles complained of as the case may at the risk and expense in all respects of the contractors.

CLAUSE 15 : Suspension of Works

- (i) The contractor shall, on receipt of the order in writing of the Engineer-in-Charge, (whose decision shall be final and binding on the contractor) suspend the progress of the work or any part thereof for such time and in such manner as the Engineer-in-Charge may consider necessary so as not to cause any damage or injury to the work already done or endanger the safety thereof for any of the following reasons:
 - (a) On account of any default on the part of the contractor or;
 - (b) For proper execution of the works or part thereof for reasons other than the default of the contractor; or
 - (c) For safety of the works or part thereof.The contractor shall, during such suspension, properly protect and secure the works to the extend necessary and carry out the instructions given in that behalf by the Engineer-in-Charge.
- (ii) If the suspension is ordered for reasons (b) and (c) in sub-para (i) above:
 - (a) The contractor shall be entitled to an extension of time equal to the period of every such suspension PLUS 25%, for completion of the item or group of items of work for which a separate period of completion is specified in the contract and of which the suspended work forms a part, and ;
 - (b) If the total period of all such suspensions in respect of an item or group of items of work for which a separate period of completion is specified in the contract exceeds thirty days, the contractor shall in addition be entitled to such compensation as the Engineer-in-Charge may consider reasonable in respect of salaries or wages paid by the contractor to his employees and labour at site, which remains idle during the period of suspension adding there to 2% to cover indirect expenses of the contractor, provided the contractor submits his claim supported by details to the Engineer-in-Charge within fifteen days of the expiry of the period of 30 days.
- iii) If the works or part thereof is suspended on the orders of the Engineer-in-Charge for more than three months at a time, except when suspension is ordered for reason (a) in sub-para (i) above, the contractor may after receipt of such order serve a written notice

on the Engineer-in-Charge requiring permission within fifteen days from receipt by the Engineer-in-Charge of the said notice, to proceed with the work or part thereof in regard to which progress has been suspended and if such permission is not granted within that time, the contractor, if he intends to treat the suspension, where it affects only a part of the works as an omission of such part by Government or where it affects whole of the works, as an abandonment of the works by Government, shall within ten days of expiry of such period of 15 days give notice in writing of his intention to the Engineer-in-Charge. In the event of the contractor treating the suspension as an abandonment of the contract by Government, he shall have no claim to payment of any compensation on account of any profit or advantage which he might have derived from the execution of the work in full but which he could not derive in consequence of the abandonment. He shall, however, be entitled to such compensation, as the Engineer-in-Charge may consider reasonable, in respect of salaries and/ or wages paid by him to his employees and labour at site, remaining idle in consequence adding to the total thereof 2% to cover indirect expenses of the contractor provided the contractor submits his claim supported by details to the Engineer-in-Charge within 30 days of the expiry of the period of 3 months.

Provided, further, that the contractor shall not be entitled to claim any compensation from Government for the loss suffered by him on account of delay by Government in the supply of materials in schedule 'B' where such delay is covered by difficulties relating to the supply of the wagons, force majeure including non-allotment of such materials by controlling authorities, acts of God, acts of enemies of the state/country or any reasonable cause beyond the control of the Government.

CLAUSE 16 : Action in case work not done as per specifications

All works under or in course of execution or executed in pursuance of the contract, shall at all times be open and accessible to the inspection and supervision of the Engineer-In-Charge, his authorized subordinates in charge of the work and all the superior officers, officer of the Quality Assurance Unit of the Department or any organization engaged by the Department for Quality Assurance and of the Chief Technical Examiner's Office, and the contractor shall, at all times, during the usual working hours and at all other times at which reasonable notice of the visit of such officers has been given to the contractor, either himself be present to receive orders and instructions or have a responsible agent duly accredited in writing, present for that purpose. Orders given to the Contractor's agent shall be considered to have the same force as if they had been given to the contractor himself.

If it shall appear to the Engineer-in-charge or his authorized subordinates in charge of the work or to the Chief General Manager in charge of Quality Assurance or his subordinate officers or the officers of the organization engaged by the Department for Quality Assurance or to the Chief Technical Examiner or his subordinate officers, that any work has been executed with unsound, imperfect, or unskillful workmanship, or with materials or articles provided by him for the execution of the work which are unsound or of a quality inferior to that contracted or otherwise not in accordance with the contract, the contractor shall, on demand in writing which shall be made within twelve months (six months in the case of work costing Rs.10 Lac and below except road work) of the completion of the work from the Engineer-in-Charge specifying the work materials or articles complained of notwithstanding that the same may have been passed, certified and paid for forthwith rectify, or remove and reconstruct the work so specified in whole or in part, as the case may require or as the case may be, remove the materials or articles so specified and provide other proper and suitable materials or articles at his own charge and cost. In the event of the failing to do so within a period specified by the Engineer-in-Charge in his demand aforesaid, then the contractor shall be liable to pay compensation at the same rate as under clause 2 of the contract (for non-completion of the work in time) for this default.

In such case the Engineer-in-Charge may not accept the item of work at the rates applicable under the contract but may accept such items at reduced rates as the authority specified in schedule 'F' may consider reasonable during the preparation of on account bills or final bill if the item is so acceptable without detriment to the safety and utility of the item and the structure (provided the total value of such items on agreement rates does not exceed 5% of the contract value) or he may reject the work outright without any

payment and /or get it and other connected and incidental items rectified, or removed and re-executed at the risk and cost of the contractor. Decision of the Engineer-in-Charge to be conveyed in writing in respect of the same will be final and binding on the contractor.

CLAUSE 17: Contractor liable for damage done for imperfection noticed within the prescribed maintenance period after the certificate.

If the contractor or his work people or servants shall break, deface, injure, or destroy any part of building in which they may be working or any building, road curb, fence, enclosure, water pipe, cables, drains, electric or telephone post or wires, trees, grass or grass-land or cultivated ground contiguous to premises on which the work or any part of it being executed or if any damages shall happen t the work while in progress, from any cause whatsoever or if any defect, shrinkage or other faults appear in the work other than work costing Rs.20,000 and below after a certificate final or other wise of its completion made have been given by the Executive-in-Charge, as aforesaid arising out of defective or improper materials or workmanship the contractor shall upon a receipt of a notice in writing in that behalf make the same good as his own expense or in default the Engineer-in-Charge may cause the same to be made good by other work man and deduct the expense from any sums that may be then, or at any time thereafter may become due to the contractor or from his security deposit except from the portion pertaining to asphaltic work (except patch work) which is governed by sub-para (iii) of clause 35 or the proceeds of sale thereof or of a sufficient portion thereof. The security deposit of the contractor (except the portion pertaining to asphaltic work which is governed by sub-para (iii) of clause 35) shall not be refunded before the expiry of 6 months (six months) in case of any work other than road work costing Rs.20,000 and below, after the issue of the certificate final or otherwise of completion of work or till the final bill has been prepared and passed whichever is later : provided that in the case of road work in the opinion of Engineer-in-Charge half of the security deposit is sufficient to meet all the liabilities of the contractor under this contract half of the security deposit will be refundable after 3 months and the remaining half after 6 months of the issue of the said certificate of completion or after final bill has been prepared and passed whichever is later.

CLAUSE 18 : Contractor to supply tools and plant

The contractor shall supply and provide at his own cost all materials (except such special materials, if any, as may in accordance with the contract be supplied from the Engineer-in-Charge's stores) plant, tools, appliances, implements, ladders cordage, tackle, scaffolding and temporary works requisite or proper for the proper execution of the work, whether original, altered or substituted and whether included in the specification or other documents forming part of the contract or referred to in these conditions or not or which may be necessary for the purpose of satisfying or complying with the requirements of the Engineer-in-Charge as to any matter as to which under these conditions he is entitled to be satisfied or which he is entitled to require together with carriage therefore to and from the work. The contractor shall also supply without charge the requisite number of persons with the means and materials, necessary for the purpose of setting out works and counting, weighing and assisting of the measurement or examination at any time and from time to time the work or materials. Failing his so doing the same may be provide by the Engineer-in-Charge at the expense of the contractor and the expenses may be deducted, from any money due to the contractor, under the contract and or from his security deposit of the proceeds of sale thereof or of a sufficient portions thereof.

CLAUSE 18 A :Recovery of compensation paid to workmen

In every case in which by virtue of the provisions of section 12, subsection (1) of the Workmen's Compensation Act, 1923, Government is obliged to pay compensation to workman employed by the contractor, in execution of works, Government will recover from the contractor the amount of the compensation so paid; and without prejudice to the rights of the Government under section 12, sub-section (2) of the said Act, Government shall be at liberty to recover such amount or any part thereof by deducting it from the security deposit or from any sum due by Government to the contractor whether under his contract or otherwise Government shall not be bound to contest any claim made against it under section 12, sub section (1) of the said Act, except on the written request of the contractor and upon his giving to

Government full security for all costs for which Government might become liable consequence of contesting such claim.

CLAUSE 18-B : Ensuring payment and amenities to workers if contractor fails

In every case in which by virtue of the provision of the contract labor (Regulation and Abolition) Act, 1970 and of the Contract Labour Regulation and Abolition) H.P. Rules, 1974 Government is obliged to pay any amounts of wages to a workman employed by the contractor in execution of the work or to incur any expenditure in providing welfare and health amenities required to be provided under the above said Act and the Rules, under Clause 19 H or under Rules framed by Government from time to time for the protection of health and sanitary arrangements for workers, employed by P.W.D. Department Contractors. Government will recover from the contractor the amount of wages so paid or the amount of expenditure so incurred; and with under, Section 20,

sub-section (2) and Section 21, sub section (4) of the Contract Labour Regulation and Abolition) Act 1970, Government shall be at liberty to recover such amount or any part thereof deducting it from security deposits or from any sum due by Govt. to the contractor whether under this agreement or otherwise Government shall not be bound to contest any claim made against it under section 20, sub-section (1) and Section 21, Sub-section(4) of the said act except on the written request of the contractor and upon his giving to the Government full security for all cost for which Govt. might become liable in contesting such claim.

CLAUSE 19: Labour laws to be complied by the contractor

The contractor shall obtain a valid licence under the Contractor Labour (R & A) Act, 1970 and the Contractor Labour (Regulation and Abolition) H.P. Rules, 1974 before commencement of the work and continue to have a valid licence until the completion of work.

CLAUSE 19 A : Fair wages clause

No labourer below the age of eighteen years shall be employed on the work. No amount by way of commission or otherwise is deducted or recovered by the Jamadar the wages of work man.

CLAUSE 19 B : Payment of wages to Labourers:-

(a) The contractor shall pay not less than fair wages to labourers engaged by him

on the work, as per fair wages fixed by the Government from time to time as indicated below :- Fair wages shall be applicable as notified by the H.P. Govt. and applicable on the date of opening of the tender. The rates notified by H.P govt are shown in schedule 'F'

(b) The contractor shall notwithstanding the provisions of any contract to the contrary cause to be paid fair wage to labourers indirectly engaged on the work, including any labour engaged by his subcontractors in connection with the said work, as if the labourers had been immediately employed by him.

(c) In respect of all labour directly or indirectly employed in the works for performance of the contractor's part of this agreement the contractor shall comply with or cause to be complied with the Himachal Pradesh P.W.D. Department Contractor Labour Regulations made by Government from time to time in regard to payment of wages, wage period, deductions from wages, recovery of wages not paid and deductions unauthorized made, maintenance of wage books or wage slip, publication of scale of wages and other terms of employment, inspection and submission of periodical return and all other matters of a like nature of as per the provision of the contract Labour (Regulation and Abolition) Act 1970 and the Contract Labour (Regulation and abolition) H.P. Rules 1974 wherever applicable.

(d) The General Manager concerned shall have the right to deduct from the moneys due to the contractor any sum required or estimated to be required for making good the loss suffered by a worker or workers by reasons of non-fulfillment of the conditions of the contractor for the benefit of the workers non-payment of wages or of deductions made from his or their wages which are not justified by their terms of the contract or observance of the regulations.

(e) The contractor shall comply with the provisions of the Payment of Wages Act, 1936, Minimum wages Act 1936, Minimum wages Act, 1948, Employees Liability Act, 1938, Workmen's Compensation Act 1923, Industrial Disputes Act, 1947, Maternity Benefits Act, 1961 Interstate Migrant Workmen (Regulation of Employment and condition of Service) Act 1979.

(f) The contractor shall indemnify Government and keep indemnified Government against payments to be made under and for the observance of the Laws aforesaid and the H.P P.W.D. Department Contractors Labours Regulations without prejudice to his right to claim indemnify from his sub. Contractors.

(g) The Regulations aforesaid shall be deemed to be a part of this contract and any breach thereof shall be deemed to be breach of this contract.

(h) Under the provision of the Minimum Wages Act, 1948, Pradesh Administration Minimum Wages Rules 1978 the contractor is bound to allow or cause to be allowed to the labourers directly employed in the work one day's rest for six days in the continuous work and pay wages at the same rate as for duty in the event of default the Engineer-in-Charge shall have the right to deduct the sum or sums not paid on account of wages for weekly holidays to any labourers and pay the same to the persons entitled thereto from any money due to the contractor by the General Manager or Assistant Engineer concerned.

CLAUSE 19 C : In respect of all labour directly or indirectly employed in the work for the performance of the contractors part of this agreement the contractor shall at his own expenses arrange for the safety provisions as per Safety Code framed from time to time and shall at his own expense provide for all facilities in connection therewith. In case the contractor fails to make arrangement and provide necessary facilities as aforesaid he shall be liable to pay a penalty of Rs.50 for each default and in addition the Engineer-in-Charge shall be at liberty to make arrangement and provide facilities as aforesaid and recover the costs incurred in that behalf from the contractor.

CLAUSE 19 D : The contractor shall submit, by the 4 and 19 of every month to the Engineer-in-Charge a true statement showing in respect of the second half of the preceding month and the first half of the current month, respectively (1) the number of labourers employed by him on work, (2) their working hours, (3) wages paid to them, (4) the accidents that occurred during the said fortnight showing the circumstances under which they happened, and the extent of damage and injury caused by them, and (5) the number of female workers

who have been allowed maternity benefit according to clause 19-F and the amount paid to them, failing which the contractor shall be liable to pay to Government a sum not exceeding Rs.500 for each default or maternity incorrect statement. The decision of the General Manager shall be final in deducting from any bill due to contractor the amount levied as fine.

CLAUSE 19 E: Health & Sanitary arrangements for workers. In respect of all labour directly or indirectly employed in the works for the performance of contractors part of this agreement, the contractor shall comply with or cause to be complied with all the rules framed by Government from time to time for the protection of health and sanitary arrangements for workers employed by the Himachal Pradesh I.P.H. Department and its contractors.

CLAUSE 19 F: Maternity Benefit Rules for female workers employed by Contractors Leave and Pay during leave shall be regulated as follows:

1. Leave :- (i) In case of delivery, maternity leave not exceeding 8 weeks, 4 weeks upto and including the day of delivery and 4 weeks following that day

(ii) in the case of miscarriage upto 3 weeks from the date of miscarriage.

2. Pay :- (i) in case of delivery: - Leave pay during maternity leave will be at the rate of the women's average daily earning calculated, on the total wages earned on the days when full time work was done during a period of 3 months, immediately preceding the date on which she gives notice that she expects to be

confirmed or at the rate of seventy five paise a day whichever is greater.

(ii) in case of miscarriage leave pay at the rate of average daily earning calculated on the total. Wages earned on the days when full time works was done during a period of 3 months immediately preceding the date of such miscarriage.

3. Condition for grant of maternity leave :- No maternity leave benefit shall be

Admissible to a woman unless she has been employed for a total period of not less than 6 months immediately proceeding the date on which she proceeds on leave.

4. The contractor shall maintain a register of maternity (benefit) in the prescribed form as shown below and the same shall be kept at place of work.

CLAUSE 19 G : In the event of the contractor(s) committing a default or breach of any of the provisions of the Himachal Pradesh P.W.D. Department Contractor's Labour Regulations and Model Rules for the protection of health and sanitary arrangements for the workers as amended from time to time or furnishing any information or submitting or filing any statement under the provisions of the above Regulations and Rules which is materially incorrect, he/they shall without prejudice to any other liability to pay to the

Government a sum not exceeding Rs.500 for every default, breach or furnishing, making, submitting, filing such materially incorrect statements and in the event of the contractor(s) defaulting continuously in this respect, the penalty may be enhanced to Rs.500 per day each day of default subject to a maximum of 5 percent of the tendered cost of the work. The decision of the Engineer-in-Charge shall be final and binding on the parties .Should it appear to the Engineer-in-Charge that contractor(s) is/are not properly observing and complying with the provision of the P.W.D. Department Contractor Labour Regulations and Model Rules and the provision of the Contract Labour (Regulation and Abolition) Act, 1970 and Contract Labour (R & A) H.P. Rules, 1974 for the protection of health and sanitary arrangement for work people employed by the Contractor(s) (hereinafter referred as “the said rules”) the Engineer-in-Charge shall have power to give notice in writing to the Contractor(s) requiring that the said rules be complied with and the amenities prescribed herein be provided to the work people within a reasonable time to be specified in the notice. If the Contractor(s) shall fail within the period specified in the notice to comply with and observe the said rules and to provide the amenities to the work people as aforesaid, the Engineer-in-Charge shall have the powers to provide the amenities herein before mentioned according to approved standards and at the cost of the contractor(s). The contractor(s) shall erect, make and maintain at his/their own expense and to approved standards all necessary huts and sanitary arrangements required for his/their work-people on the site in connection with the execution of the works and if the same shall not have been erected or constructed, according t approved standards, the Engineer-in-Charge shall have power to give notice in writing to the Contractors(s) requiring that the said huts and sanitary arrangements be remodeled and/or reconstructed according to approved standards and if the contractor(s) shall fail to remodel or reconstruct such huts and sanitary arrangements according to approved standard within the period specified in the notice, the Engineer-in-Charge shall have the power to remodel reconstruct such huts and sanitary arrangements according to approved standard at the cost of the contractor(s).

CLAUSE 19 H: The contractor(s) shall at his/their own cost provide his/their labour with sufficient number of huts (hereinafter referred to as the camp) of the following specifications on a suitable plot of land to be approved by the Engineer-in-Charge.

1. (a) The minimum height of each hut at the eye level shall be 7 feet and the floor area to be provided will be at the rate of 30 Sq. feet for each member of the worker’s family staying with the labour.

(b)The contractor(s) shall in addition construct suitable cooking places having a minimum area of (6’ x 5’) adjacent to the hut for each family.

(c)The contractor(s) shall also construct temporary latrines and urinals for the use of the labourers and each on the scale of not less than four per each one hundred of the total strength, separate latrines and urinals being provided for women.

(d)The contractor(s) shall construct sufficient number of bathing and washing places, one unit of every 25 persons residing in the camp. These bathing and washing places shall be suitably screened.

2. (a) All the huts shall have walls of sun-dried or burnt bricks laid in mud mortar or other suitable local materials as may be approved by the Engineer-in Charge. In case of sun dried bricks, the walls should be plastered with mud gobi on both sides. The floor may be kutcha but plastered mud gobi and shall be at least 6

inches above the surrounding ground. The roofs shall be laid with thatched or ay other materials as may be approved by the Engineer-in Charge and the contractor shall ensure that throughout the period of their occupation the roofs remain water-tight.

(b)The contractor(s) shall provide each hut with proper ventilation,

(c)All doors, windows and ventilation shall be provided with suitable leaves for security purposes.

(d)There shall be kept and open space of at least 8 yards between the rows of huts which may be reduced to 20 feet according to the availability of the site with approval of the Engineer-in-Charge, back to back construction with allowed.

3. Water Supply: - The contractor(s) shall provide adequate supply of water for the use of labourers. The provisions shall not be less than 2 gallons of pure and wholesome water per head per day drinking purposes and 3 gallons of clean water per head per day for bathing and washing purposes. Where piped water supply is available, supply shall be at stand posts and where the supply is from wells or riverbanks, which may be of metal or masonry, shall be provided. The contractor(s) shall also at his/their own cost make

arrangements for laying pipe lines for water supply to his/their labour camp from the existing mains wherever and available shall pay all fees and charges therefore.

4. The site selected for the camp shall be high ground, removed from jungle.

5. Disposal of Excrete: - The contractor(s) shall make necessary arrangements for the disposal of excrete from the latrines by trenching or incineration which shall be according to the requirements laid down by the local health authorities. If trenching or incineration is not allowed the contractor(s) shall make arrangements for the removal of the excrete through the Municipal Committee (Authority and inform it about the number of labourers employed so that arrangement may be made by such Committee/ Authority for the removal of the excrete. All charges on this account shall be borne by the contractor and paid directly by him to the Municipality/Authority. The contractor(s) shall provide one sweeper for every 8 seats in case of dry system.

6. Drainage: - The contractor(s) shall provide efficient arrangements for draining away sullage water so as to keep the camp neat and tidy.

7. The contractor(s) shall make necessary arrangements for keeping the camp area sufficiently lighted to avoid accidents to the workers.

8. Sanitation: - the contractor(s) shall make arrangements for conservancy and sanitation in the labour camps according to the rules of the local public health and medical authorities.

CLAUSE 19 I: - The Engineer-in Charge may require the contractor to dismiss or remove from the site of the work any person or persons in the contractor's employ upon the work who may be incompetent of misconduct himself and the contractor shall forthwith comply with such requirements.

CLAUSE 19 J: - It shall be the responsibility of the contractor to see that the building under construction is not occupied by anybody unauthorisedly during construction and to hand over to the Engineer-in Charge vacant possession of

Complete building. If such building though completed, is occupied illegally then the Engineer-in Charge will have the option to refuse to accept the said building/buildings in that position and delay in acceptance on this account will be treated as delay in completion and for such delay in levy upto 5% of the estimated cost put to the tender may be imposed by the Chief General Manager whose decision shall be final both with regard to the justification and quantum.

However, the Chief General Manager may require the contractor through a notice to remove the illegal occupation any time on or before construction and delivery.

Clause- 19 K –Deduction of Cess as per provision of Building And Other Construction Worker's Welfare Cess Act,1996 & Himachal Pradesh Building and Other construction Workers Rules,2008

The department will deduct cess of 1% from each running bill from the gross amount of work done by the contractor .

CLAUSE 20:- Minimum Wages Act to be complied with

The contractor shall comply with all the provisions of the Minimum Wages Act, 1948 Contract Labour (Regulation & Abolition) Act 1970 and rules framed there under and other labour laws, affecting contract labour that may be brought into force from time to time.

CLAUSE 21:- Works no to be sublet .Action in case of solvency

The contractor shall not be assigned or sublet the entire work or part thereof without the written approval of the Engineer-in-Charge. And if the contractor shall assign or sublet his contract or attempts so to do, or become insolvent or commence any insolvency proceedings or make any composition with his creditor or attempt so to do, or if any bribe, gratuity gift, loan, perquisite, reward or advantage pecuniary or otherwise, shall either directly or indirectly, be given promised or offered by the contractor, or any of his servants or agents to any public officer or person in the employ of Government in any way relating to his office or employment, or if any such officer or person shall become in any way directly or indirectly interested in the contract, the Engineer-in-Charge on behalf of the Governor of Himachal Pradesh shall have power to adopt any of the courses specified in clause 3 as he may deem best suited in the interest of Government and in the event of any of these courses being adopted the consequences specified in the clause 3 shall ensure.

CLAUSE 22: Sum payable by way of compensation without reference to actual loss.

All sums payable by way of compensation under any of these constitutions shall be considered as reasonable compensation to be applied to the use of Government without reference to the actual loss of damage sustained, and whether or not any damage shall have been sustained.

CLAUSE 23 : Change in firms constitution to be intimated

Where the contractor is a partnership firm, the previous approval in writing of the Engineering-Charge shall be obtained before any change is made in the constitution of the firm. Where the contractor is an individual or a Hindu Undivided Family Business concerns such approval as aforesaid shall likewise be obtained before the contractor enters into any partnership agreement where under the partners partnership firm would have the right to carry out the work hereby undertaken by the contractor. If previous approvals as aforesaid is not obtained, the contract shall be deemed to have been assigned in contravention of clause 21 hereof and the same action may be taken and the same consequences shall ensure as provided in the said clause 21.

CLAUSE 24: Works to be under the direction of Engineer-in-Charge.

All works to be executed under the contract shall be executed under the direction and subject to the approval in all respects of the Engineer-in-charge who shall be entitled to direct at what point or points and in what manner they are to be commenced and from time to time carried on.

ARBITRATION CLAUSE

CLAUSE 25:- Settlement and Disputes by Arbitration

Except where otherwise provided in the contract, all questions and disputes relating to the meaning of the specifications, designs, drawings and instructions here-in-fore mentioned and as to the quality of workmanship of materials used on the work or as to any other question, claim, right, matter or thing whatsoever, in any way arising out of or relating to the contract designs, drawings, specifications, estimates, instructions, orders or these conditions or otherwise concerning the works or the execution or failure to execute the same whether arising during the progress of the works or after the completion or abandonment thereof shall be referred to the sole arbitration of the person appointed by the Chief General Manager / Chief General Manager, Ropeways and Rapid Transport System Development Corporation H.P. Limited. It will be no objection to any such appointment that the arbitrator so appointed is a Government Servant, that he had to deal with the matters to which the contract relates, and that in the course of his duties as Government Servant he had expressed views on all or any matters in disputed of difference. The arbitrator to whom the matter is originally referred being transferred or vacating his office or being unable to act for any reason to Chief General Manager/Chief General Manager, Ropeways and Rapid Transport System Development Corporation H.P. Limited, at the time of such transfer vacation of office or inability to act shall appoint another person to act as arbitrator in accordance with the terms of the contract. Such person shall be entitled to proceed with the reference from the stage at which it was left by his predecessor. It is also a term of this contract that no person other than a person appointed by the Chief General Manager/Chief General Manager, Ropeways and Rapid Transport System Development Corporation H.P.Limited should act as arbitrator and, if for any reason, that is not possible, the matter is not to be referred to arbitration at all. In all cases where the amount of the claim in dispute is Rs.50,000 (Rupees fifty thousand) and above, the arbitrator shall give reasons for the award. Subject as aforesaid the provision of Arbitration Act, 1996 or any statutory modification or re-enactment thereof and the rules made there under and for the time being in force shall apply to the arbitration proceedings under this clause .It is also a term of the contract that the party invoking arbitration shall specify the dispute or disputes to be referred to arbitration under this clause together with the amount or amounts claimed in respect of each such disputes. It is also a term of the contract that if the contractor(s) do/does not make any demand for arbitration in respect of any claim(s) in writing within 90 days of receiving the information form the Government, that the bills are ready for payment. The claim of the contractor (s) will be deemed to have been waived and absolutely barred and the Government shall be discharged and released of all liabilities under the contract in respect of these claims. The arbitrator(s) may time to time with consent of parties enlarge the time, for making and publishing the award.

CLAUSE 26:- Contractor to indemnify Govt. against Patent Rights

The contractor shall fully indemnify the Governor of Himachal Pradesh against any action, claim or proceeding relating to infringements or use of any patent or design or any alleged patent or design rights and shall pay any royalties which may be payable in respect of any article or part thereof included in the contract. In the event of any claims, made under or action brought against Government in respect of any such matters as aforesaid the contractor shall immediately notified, thereof and the contractor shall be at liberty, at his own expense to settle any dispute or to conduct any litigation that may arise there from. Provided that the contractor shall not be liable to indemnify the Governor of Himachal Pradesh if the

infringement of the patent or design or any alleged patent or design right is the direct result of an order passed by the Engineer-in-charge in this behalf.

CLAUSE 27:- Lump sum provisions in tender

When the estimate on which a tender is made includes lump sums in respect of parts of the works the contractor shall be entitled to payment in respect of the items of work involved or the part of the work in question at the same rates, as are payable under this contract for such items or if the part of the work in question is not, in the opinion of the engineer-in-Charge payable of measurement, the Engineer-in-Charge may at his discretion pay the lump sum amount entered in the estimate and the certificate in writing of the shall be final and conclusive against the contractor with regard to any sum payable to him under the provision of the clause.

CLAUSE 28:- Action where no specification are specified

In the case of any class of work for which there is no such specification as is mentioned in rule 1, such work shall be carried out in accordance with the district specification and in the event of there being no district specification, then in such case the work shall be carried out in all respect in accordance with the instruction and requirements of the Engineer-in-Charge.

CLAUSE 29:- With holding and lien in respect of sums due from the contractor

(1) Whenever any claim or claims for payment of a sum of money arises out of or under the contract, against the contractor, the Engineer-in-Charge or the Government shall be entitled to withhold and also have a lien to retain such sum or sums in whole or in part from security, if deposited by the contractor and for the purpose aforesaid, the Engineer-in-charge or the government shall be entitled to withhold the security deposit, if any, furnished as the case may be and also have lien over the same pending finalization or adjudication of any such claim. In the event of the security being insufficient to cover the claimed amount or amounts or if no security has been taken from the contractor, the Engineer-in-charge or the Government shall be entitled to withhold and have a lien to retain to the extent of such claimed amount or amounts referred to above, from any sum or sums found payable or which may at any time thereafter become payable to the contractor under the same contract or any other contract with Engineer-in-charge of the Govt or any contracting person through Engineer-in-charge pending finalization of adjudication of any such claim. **Should this sum be not sufficient to cover the full amount recoverable, the contractor shall pay to Government on demand the balance remaining due shall be recoverable by way of arrears of land revenue.**

It is agreed to term of the contract that sum of money or moneys so withheld or retained under the lien referred to above by Engineer-in-charge or the Government will be kept withheld or retained as such by the Engineer-in-charge or the Government till the claim arising out or under the contract is determined by the arbitrator (if the contract is governed by arbitration clause)by the competent court as the case may be and the contractor will have no claim for the interest or damages whatsoever on any account in respect of such withholding or retention under the lien referred to above and duly notified as such to the contractor. For the purpose of this clause, where the contractor is a partnership firm or a limited company , the Engineer-in-Charge or the Government shall be entitled to withhold and also have a lien to retain towards such claimed amount or amounts in whole or in part from any sum found payable to any partner/limited company as the case may be, whether in his individual capacity or otherwise.

(2) Government shall have the right to cause in audit and technical examination of the works and the final bills of the contractor including all supporting vouchers, abstract etc., to be made after payment of the final bill and if as a result of such audit and technical examination any sum is found to have been over paid in respect of any work done by the contractor under the contract or any work claimed to have been done by him under the contract and found not to have been executed, the contractor shall be liable to refund the amount of overpayment and it shall be lawful for Government to recover the same from him in the manner prescribed in sub-clause (1) of this clause or in any other manner legally permissible, and if it is found that the contractor was paid less than what was due to him under the contract in respect of any work executed by him under it, the amount of such under payment shall be duly paid by Government to the contractor, without any interest thereon whatsoever. Provided that Government shall not be entitled to recover any sum overpaid, nor the contractor shall be entitled to payment of any sum paid short where such payment has

been agreed upon between the Chief General Manager or General Manager on the one hand and the contractor on the other under any term of the contract permitting payment for work after assessment by the Chief General Manager or the General Manager.

CLAUSE 29-A: Lien in respect of claims in other contracts.

Any sum of money due and payable to the contractor (including the same security deposit returnable to him under the contract may be withheld or retained by way or lien by the Engineer-in-Charge or the Government or any other contracting person or persons through Engineer-in-Charge against any claim of the Engineer-in-Charge or Government or such other person or persons in respect of payment of a sum of money arising out of or under any other contract made by the contractor with the Engineer-in-Charge or the Government or with such other person or persons. It is an agreed term of the contract that the sum of money so withheld or retained under this clause by the Engineer-in-Charge or the Government will be kept withheld or retained as such by the Engineer-in-Charge or the Government or till his claim arising out of in the same contract or any other contract is either mutually settled or determined by arbitrator (if the contract is governed by arbitration clause) or by the competent authority as the case may be and that the contractor shall have no claim for interest or damages whatsoever on this account or on any other ground in respect of any sum of money withheld or retained under this clause and duly notified as such to the contractor.

CLAUSE 30:- Prohibition against the employment of coal mining or controlled areas labour.(Deleted)

The contractor shall not employ coal mining or controlled area labour falling under any category whatsoever in or on connection with the work or recruit –labour from area within a radius of 20 miles of the controlled area. Subject as above the contractor shall employ imported by labour only i.e. depot imported labour or labour imported by contractors from areas, from which import is permitted. Where ceiling price for imported labour has been fixed by State or Regional Labour Committees not more than that ceiling price shall be paid to the labour by the contractor. The contractor shall immediately remove any labourer who may be pointed out by the Engineer-in-Charge is being a coal mining or controlled area labourer failure to do so shall render the contractor liable to pay to the Government. A sum calculated at the rate of Rs.10 per day labour the certificate of the Engineer-in-Charge about the number of coal mining or controlled area labour and the number of days for which they work shall be final and binding upon all parties to this contract. It is declared and agreed between the parties that the aforesaid stipulation in this clause is one in which the public are interested within the meaning if the exception of section 74 of Indian Contract 1872.

CLAUSE 31: Unfiltered water supply

The contractor(s) shall make his/their own arrangements for unfiltered water required for the work and nothing extra will be paid for the same this will be subject to the following conditions.

(i) That the water used by the contractor(s) shall be fit for construction purpose to the satisfaction of the Engineer-in-Charge.

(ii) The Engineer-in-Charge shall made alternative arrangements for supply of water at the risk and cost of contractor(s) if the arrangement made by the contractor (s) for procurement of water are in the opinion of the Engineer-in-Charge, unsatisfactory.

CLAUSE 31A: Departmental water supply ,if available

Unfiltered water is available will be supplied to the contractor by the department subject to the following condition:-

- 1) The water charge @ one and half per cent shall be recovered on gross amount of the work done.
- 2) The contractor(s) shall make his/their own arrangement of water connection and the laying of pipes lines from existing mains or source of supply.
- 3) The department do not guarantee to maintain uninterrupted supply of water and it will be incumbent on the contractor(s) to make alternative arrangements for water at his/their own cost in the event of any

temporary break down in the Govt. Water main so that the progress of his/their work is not held up for want of water. No claim of damage or refund of water charges will be entertained on account of such break down.

CLAUSE 32: (i) Where there is no pipe water supply arrangement and the water is taken by the contractor from the wells or hand pumps, constructed by the Government no charge shall be recovered from contractor on that account. The contractor shall however, draw water at such hours of the day that it does not interfere with the normal use for which the hand pumps well are intended. He will also be responsible for all damage and abnormal repairs arising out of his use the cost of which shall be recoverable from him. The Engineer-n-Charge shall be the final authority to determine the cost recoverable from the contractor on this account.

(ii) The contractor shall be allowed to construct temporary wells in Government land for taking water for construction purposes only after he has got permission of the Engineer-in-Charge in writing. No charges shall be recovered from the contractor on this account, but the contractor shall be required to provide necessary safety arrangement to avoid any accidents or damage to adjacent buildings, roads and service lines. He shall be responsible for any accidents or damage caused due to construction and subsequent maintenance of the wells and shall restore the ground to its original condition after the wells are dismantled on completion of the work.

CLAUSE 33 : Return surplus material

Notwithstanding anything contained to the contrary in any or all the clauses of this contract, where any material for the execution of the contract are procured with the assistance of government either by issue from Government stocks or purchase made under orders or permits or licenses issued by Government the contractor shall hold the said material economically and solely for the purpose of contract and not dispose of them without the permission of the Government and return, if required by the Engineer-in-Charge all surplus or

unserviceable material that may be left with him after the completion of the contract or at its termination for any reason whatsoever on being paid for credited such price as the Engineer-in-Charge shall determine having due regard to the condition of the materials. The price allowed to the contractor however shall not exceed the amount charged to him excluding the storage charges, if any. The decision of the Engineer-in-Charge shall be final and conclusive. In the event of breach of the aforesaid condition the contractor shall in addition to throwing

himself open to action for contravention of the terms of the licenses or permit and/or for criminal breach of trust be liable to Government for all moneys, advantages or profits resulting of which in the usual course would have resulted to him by reason of such breach

CLAUSE 34: HIRE CHARGES OF PLANTS AND MACHINES

(a) The following plant and machinery required for the work will be issued to the contractor on hire on conditions given below if available only.

Sr No	Description	Hire charges per day per hour
.....
....
....

(b) Plant and machinery when supplied shall be made over and taken back at the departmental equipment shed at..... and the contractor shall bear cost of their carriage from the shed to the site of work and back. The contractor shall be responsible to return the plant and machinery with condition it was handed over to him and he shall be responsible for all damage caused to the said plant and machinery at the site of work or elsewhere in operation and other wise during transit including damage to or loss of plants and for all losses due to his failure to return the same soon after the completion of the work which it was issued. The Engineer-in- Charge shall be the sole judge to determine the liability of the contractor and its extent in this and regard and his decision shall be final and binding on the contractor.

(c) The plant and machinery as stipulated above will be issued as and when available and if required by, should be obtained from the Department. The contractor shall arrange his programmer of work according to

the availability of the plant and machinery and no claim, whatsoever, will be entertained from him for any delay in supply by the Department.

(d) The hire charges shall be recovered at the prescribed rates from the contractor from and inclusive of the date of the plant and machinery is made over upto and inclusive of the date of its return in good order. Even though the same may not have been working for any cause except for major breakdown due to no fault of the contractor of fully use requiring more than 3 working days continuously (i.e. excluding intervening holidays and Sundays) for bringing the plant in order. The contractor shall immediately intimate in writing to the Engineer-in-Charge. When

any plant or machinery gets out of order requiring major repairs as aforesaid. The Engineer-in-charge shall record the date and time of receipt of such intimation in the log sheet of the plant or machinery. Based on this if the breakdown will be computed considering half a day's breakdown on the day of complaint. If the breakdown occurs in the post lunch period of complaint. The period of major breakdown will be computed starting from the next morning day. In case of any dispute under this clause the decision of the Chief General Manager shall be final.

(e) The hire charges shown above are for each day of 8 hours (inclusive of one-hour lunch break) or part thereof. In case of steam road roller, the period of hours will be inclusive of time required to make up the boiler pressure before start of work and to lower the boiler pressure at the close of work.

(f) Hire charges will include service of operating staff as required and also supply of lubricating oil and stores for cleaning purposes and steam coal not exceeding 1.25 quintals to light up the steam road roller when issued power fuels of approved type firewood, kerosene oil etc. for running the plant and machinery and also the full time chowkidar for guarding the plant and machinery against any loss or damage shall be arranged by the contractor who shall be fully responsible for the safeguard and security of plant and machinery. The contractor shall on or before the supply of plant and machinery sign an agreement indemnifying the Department against any loss or damage caused to the plant and machinery either during transit or at site of work.

(g) Ordinarily, no plant and machinery shall work for more than 8 hours a day inclusive of one-hour lunch break. In case of an urgent work, however, the Engineer-in-Charge, at his discretion, allow the plant and machinery to be worked for more than normal period of 8 hours a day in that case the hourly hire charges for overtime to be borne by the contractor shall be 50% more than the normal proportionate hourly charges (1/8th of the daily charges) subject to a minimum of half day as normal charges on any particular day. For working out hire charges for overtime a period of half an hour and above will be charged as one hour and a period of less than half an hour will be ignored.

(h) The contractor shall release the plant and machinery every 10th day for periodical servicing and/or wash out which may take about three to four hours or more. He shall also provide for labour and water that may be required for wash out of steam rollers. Hire charges for full day shall be recovered from the contractor for the day of servicing wash out irrespective of the period employed in servicing / wash out.

(i) The plant and machinery once issued to a contractor shall not be returned by him on account of lack of arrangements of labour and materials etc. On his part, the same will be returned only when they require major repairs or when in the opinion of the Engineer-in-Charge the work or portion of work for which the same was issued is completed. Recovery on account of hire charges for road rollers shall be made for the minimum number of days worked out on the assumption that a roller can be consolidated per day and maximum quantity of material, areas of surfacing as noted against each in the annexed statement (See attached annexure).

(j) Log Book for recording the hours of daily work for each of the plant and machinery supplied to the contractor will be maintained by the Department and will be attested by the contractor or his authorised agent daily. In case the contractor contests the correctness of the entries and/or fails to sign the Log Book the decision of the Engineering-Charge shall be final and binding on him. Hire charges will be calculated according to the entries in the Log Book and will be binding on the contractor. Recovery on account of hire charges for road rollers shall be made for the minimum number of days worked out on the assumption that a roller can be consolidated per day and maximum quantity of material, area of surfacing as noted against each in the annexed statement (See attached annexure).

(k) In the case of concrete mixers, the contractor shall arrange to get hopper cleaned and the drum washed at the close of the work each day or each occasion.

(l) In the case of road rollers for consolidation are employed by the contractor himself, logbook for such rollers shall be maintained in the same manner as is done in case of departmental rollers. Maximum

quantity of any times to be consolidated for such roller day shall also be same as in Annexure to Clause 34 (j). For less use of rollers, recovery for the less rollers days shall be made at the stipulated hire issue rate.

(m) The contractor shall be responsible to return the plant and machinery in the same condition in which it was handed over to him and he shall be responsible for all damages caused to the said plant and machinery at the site of work or elsewhere when in operation or otherwise or during transit including damage to or loss of parts, and for all losses due to his failure and return the same soon after the completion of the work for which it was issued. The Engineer-in-Charge shall be the sole judge to determine the liability of the contractor and its extent in this regard and his decision shall be final and binding on the contractor.

SUPPLY OF CONCRETE MIXER ON HIRE

1. Mechanical concrete mixers for mixing the mortar and concrete will be supplied by the Government, if any available and if so required by the contractor then contractors shall bear the cost of its cartage from the store to the site of work and back.

2. The mixer shall be made over and taken back at the mixer shed and hire charges shall be recovered at Rs. per day from the date the mixer is made over to the date of its return irrespective of it being put into use or not except for the major break down during which period charges shall not be recovered. The breakdown for a period of full day or more shall be considered as major break down. The certificate of the Engineer-in-Charge for the period of break down shall be final binding on the contractor.

3. The contractor shall have to engage a full time chowkidar for watch and ward of the concrete mixer and shall be responsible for its safety. The chowkidar for safe guarding the road roller shall be employed by the contractor when those are hired out to him and they shall sign an agreement indemnifying the department against any loose or damage caused to the machine either during the transit at the site of work.

CLAUSE 35:- Conditions relating to use of asphaltic materials

(i) The contractor undertakes to make arrangements for the supervision of the work by the firm supplying the tar or bitumen used.

(ii) The contractor shall collect the total quantity of tar or bitumen required for the work as per standard formulae, before the process of painting is started and shall hypothecate it to the Engineer-in-Charge. If the bitumen or tar remains unused on completion of the work on account of lesser use of materials in actual execution for reasons other than authorised changes of specification and abandonment or portion of work, a corresponding deduction equivalent to the cost of unused materials as determined by the Engineer-in-charge shall be made and the materials return to the contractors. Although the materials are hypothecated to Government the contractor undertakes the responsibility for the proper watch, safe custody and protection against all risks. The materials shall not be removed from site of work without the consent of the Engineer-in-Charge in writing.

(iii) **The contractor shall be responsible for rectifying defects noticed within:- (a) 1 year for works situation more than 5500 ft. above MSL (b) 2 years for works situation less than or equal to 5500 ft. above MSL; from the date of completion of the work and the portion of security deposit relating to asphaltic work shall be refunded after the expiry of this period.**

CLAUSE 36:- The contractor shall employ the following technical staff during the execution of this work.

(1) For Building and Road Works: - One qualified Engineer/Junior Engineer/ Supervisor having experience of five years. The contractor should give a certificate to the effect that the Engineer /Diploma Holder Junior Engineer is

Exclusively in his employment .The technical staff should be available at site whenever required by Engineer-in-Charge to take instructions. In case the contractor fails to employ the technical staff as aforesaid, he shall be liable to pay a reasonable amount not exceeding a sum of Rs.25000/- (Rupees twenty five thousand only) for each month of default in the case of Graduate Engineer and Rs.20000/- (Rupees twenty thousands only) for each month of default in case of Qualified Diploma Holder (Overseer). The decision of the Engineer-in-Charge as to the period for which the required technical staff was not employed by the contractors and as to the reasonableness of the amount to be deducted on this amount shall be final and binding on the contractor as the amount and the contractor's liability to pay the said amount.

(2) For Sanitary and Water Supply Works: - The contractor shall employ the following technical staff during the execution of the work. One Qualified Junior Engineer with an experience of not less than five years out of which at least one year should be Sanitary Engineering or Water Supply Works when the tendered cost of work to be executed is more than Rs.2,00,000 only. The technical staff should be available

at the site whenever required by the Engineer-in-Charge to take instructions. In case the contractor fails to employ the technical staff aforesaid he shall be liable to pay reasonable amount not exceeding Rs.7,000/- for each month of default. The decision of the Engineer-in-Charge as to the period for which the required technical staff was not employed by the contractor and as to the reasonableness of the amount to be deducted on this amount shall be final and binding on the contractor as the amount and the contractor's liability to pay the said amount.

CLAUSE 36A:- "The contractor shall comply with provisions of the Apprentices Act, 1961 and the Rules and Orders issued there under from time to time. If he fails to do so, his failure will be breach of contract and its Chief General Manager may, in his, discretion cancel the contract, the Contractors shall also be liable for any pecuniary liability arising on account of any violation by him of the provisions of the Act."

CLAUSE 37:- Liability of Taxes.

GST, building and other construction worker, welfare cess royalty or any other tax, levy or cess in respect of input for or output by this contract shall be payable by the contractor and Government shall not entertain any claim whatsoever in this respect except as provided under clause 38. The contractor shall deposit royalty and obtain necessary permit for supply of the Bajri, Kankar etc. from local authorities.

(i) The contractor will produce a certified copy from the Industries Department that the royalty has been paid by him on account of excavation of stone and sand from other than P.W.D, roads or alternatively recovery of the material excavated and utilized in the construction as per the billed quantities shall be recovered by the Department. Other wise the royalty at prevalent rate shall be deducted on the material consumed in the work.

(ii) The contractor shall have to purchase the timber to be used on works from an authorized dealer/agency and he would produce necessary receipts/vouchers as a proof before releasing the payment or the wood-work.

(iii) The contractor will be authorized to crush the useful mucked material extracted on site conforming to HP PWD/MORT&H standard/specification as per the satisfaction of Engineer in charge. The contractor will be allowed to use the crusher to crush the mucked extracted on site of work for captive use on the awarded work with the following terms conditions:-

a) The contractor will be required to seek permission from the Mining Department. The letter of acceptance of tender issued by the Employer or award letter for which work the crusher is required is to be attached with the case.

b) The contractors have to deposit the royalty charges as per rules with the department for the mineral to be used for preparing the crush material.

c) It is the sole responsibility of the contractor to arrange such sanction from the mining department, HP PWD, Department will not be responsible for non issue of such sanction or delay in sanction no claim in this regard shall be admitted.

d) The contractor while installing the crusher shall insure that instruction regarding setting parameter notified by department of Environment & Science and Technology from time to time are not violated.

(as per approval of Govt. vide letter No. PBW(B)C(17)2/2012 dated 07/08/2018)

CLAUSE 38 :- conditions for reimbursement of levy/taxes if levied after receipt of tenders

All tendered rates shall be inclusive of any tax, levy or cess applicable on last stipulated date of receipt of tender including extension if any. No adjustment i.e. increase or decrease shall be made for any variation in the rate of GST, building and other construction workers welfare cess or any tax, levy or cess applicable on inputs. However effect of variation in rates of GST or building and other construction workers welfare cess or imposition or repeal of any other tax, levy or cess applicable on output of the works contract shall be adjusted on either side increase or decrease provided for building and other construction workers welfare cess or any tax (other than GST) levy or cess varied or imposed after the last date of receipt of tender including extension if any, any increase shall be reimbursed to the contractor only if the contractor necessarily and properly pays such increased amount of taxes/ levies/ cess. Provided further that such adjustment including GST shall not be made in the extended period of contract for which the contractor alone is responsible for delay as determined by authority for extension of time under clause 5 in the relevant schedule.

(ii) The contractor shall keep necessary books of accounts and other documents for the purpose of this condition as may be necessary and shall allow inspection of the same by a duly authorized representatives of Government and further shall furnish such other information/documents as the Engineer-in-Charge may require.

(iii) The contractor shall within a period of 30 days of imposition of any further tax or levy. Pursuant to the constitution (Forty Six Amendment) Act, 1982 give a written notice thereof to the Engineer-in-Charge that the same is given pursuant to this condition together with all necessary information relating there to. In pursuant to or under any law such notification or order any royalty. Cost fee or the like becomes payable to the government of Himachal Pradesh and does not at any time becomes payable by the contractor, to the State Government. Local authorities in respect of any material used by the contractor in the work, then in such cases it shall be lawful for the Government of Himachal Pradesh and it will have right and be entitled to recover the amount paid in the circumstances as aforesaid, from the dues of the contractor. **(as per approval of Govt. vide letter No. PBW(B)C(17)2/2012 dated 07/08/2018)**

CLAUSE 39 :-Termination of contract on the death of contractor

Without prejudice to any of the rights or remedies under this contract, if the contractor dies, the General Manager on behalf of the Governor of Himachal Pradesh shall have the option of terminating the contract without compensation to the contractor.

CLAUSE 40 :- If relative working in RTDC then contractor is not allowed to tender

The contractor shall not be permitted to tender for works in RTDC if his near relative is posted as Divisional Accountant or as an officer in any capacity between grades of Chief General Manager and Assistant Manager (both inclusive). He shall also intimate the name of persons who are working with him in any capacity or are subsequently employed by him and who are near relatives of any Gazetted Officer in the RTDC. Any breach of this condition by the contractor would render him liable to be removed from the approved list of the contractors of this department.

Note :- By the terms relatives; is meant wife, husband, parents and grand parents, children and grand children, brothers and sisters, uncles and cousins and their corresponding-in-laws.

CLAUSE 41 :-No gazetted Engineer to work within one year of retirement

No Engineer of Gazetted rank or other Gazetted Officer employed in Engineering or administrative duties in an P.W.D. Department of Himachal Pradesh Government is allowed to work as a contractor for a period of two years of his retirement from Government Service without the previous permission of Himachal Pradesh Government. This contract is liable to be cancelled if either the contractor or any of his employees is found at any time to be such a person who had not obtained the permission of Himachal Pradesh Government as aforesaid, before submission of the tender or engagement in the contractor's service as the case may be.

CLAUSE 42 :- Return of material & Recovery for excess of material issued

(i) The contractor shall see that only the required quantities of materials are got issued. Any such material remaining unused and in perfectly good condition at the time of completion or termination of the contract shall be returned to the Engineer-in Charge at a place where directed by him, if a notice in writing under his hand, he shall so require. Credit for such material will be given at the prevailing market rate not exceeding the amount charged from him, excluding the storage charge levied at the time of issue of materials to him. The contractor shall also not be entitled to cartage and incidental charges for returning the surplus materials from and to the stores, where from they were issued.

(ii) After the completion of the work the theoretical quantity of cement to be used in the work shall be calculated on the basis of P.W.D. Department statement showing quantity of cement to be used in different items of work provided in the H.P. Schedule of rates or in case of non schedule items, it shall be calculated on the basis of standard formula laid down by Chief General Manager of the concerned Circle. Over this theoretical quantity of cement shall be allowed a variation up to 5% plus/minus for works the tendered cost of the work not more than Rs.2 lacs; up to 4% plus/minus for works the tendered cost of the work is more than Rs.2 lacs up to Rs.5lacs and up to 3% plus/minus for works the tendered cost of the work is above 5 lacs. The difference in quantity of cement actually issued to the contractor and the theoretical quantity including authorize variations, if not returned by the contractor, shall be recovered at twice the issue rate including storage charges, without prejudice to the provision of the relevant conditions regarding return of materials governing the contract. In the event of it being discovered that the quantity of cement used is less than the quantity ascertained as herein before provided (allowing variations on the minus side as stipulated above) the cost of the quantity of cement not so used shall be recovered from the contractor on the basis of stipulated issue rate including storage charges and cartage to site.

(iii) The provision of the foregoing sub-clause shall apply in the case of steel reinforcement of structural steel sections, except that the theoretical quantity of steel shall be taken as the quantity required as per

design or as authorized by the Engineer-in-charge, including authorized laps-pages, plus 5% wastage due to cutting into pieces. Over this theoretical quantity, plus 5% and minus 4% shall be allowed as variation due to wastage being more or less.

(iv) After the completion of the work, the actual quantity of cables (other than under-ground cables) wires, conduits/G.I. pipes, G.I./M.S. sheets used in the various items of work shall be calculated on the basis of the measurements recorded in the Measurement Book for purpose of payment and for assessing the consumption of materials used in works. Over this quantity a variation of 5 percent plus half be allowed for wastage of materials during execution in case of cables (other than underground cables), Wires, conduit pipes/G.I. pipes and 10 percent plus in case of G.I./M.S sheets. The difference in quantity of materials actually issued to the contractor and the quantity recorded in the Measurement Book including the authorized variation as stated above if not returned by the contractor shall be recovered at twice the issue rate including storage charges and cartage to site without prejudice to the provisions of the relevant conditions regarding return of materials governing the contract. the cost of the quantity of cement not so used shall be recovered from the contractor on the basis of stipulated issue rate including storage charges and cartage to site.

(iii) The provision of the foregoing sub-clause shall apply in the case of steel reinforcement of structural steel sections, except that the theoretical quantity of steel shall be taken as the quantity required as per design or as authorized by the Engineer-in-charge, including authorized laps-pages, plus 5% wastage due to cutting into pieces. Over this theoretical quantity, plus 5% and minus 4% shall be allowed as variation due to wastage being more or less.

(iv) After the completion of the work, the actual quantity of cables (other than under-ground cables) wires, conduits/G.I. pipes, G.I./M.S. sheets used in the various items of work shall be calculated on the basis of the measurements recorded in the Measurement Book for purpose of payment and for assessing the consumption of materials used in works. Over this quantity a variation of 5 percent plus half be allowed for wastage of materials during execution in case of cables (other than underground cables), Wires, conduit pipes/G.I. pipes and 10 percent plus in case of G.I./M.S sheets. The difference in quantity of materials actually issued to the contractor and the quantity recorded in the Measurement Book including the authorized variation as stated above if not returned by the contractor shall be recovered at twice the issue rate including storage charges and cartage to site without prejudice to the provisions of the relevant conditions regarding return of materials governing the contract.

(v) The provisions made above are without prejudice the right of the Government to take action against the contractor under the condition of the contract for not doing the work according to the prescribed specification.

(vi) After the completion of the work, theoretical quantity of bitumen to be used on work shall be calculated on the basis of P.W.D. Department's statement showing quantities of bitumen to be used in different items of work provided in the H.P. Schedule of Rates or in respect of agreement which do not provide for or authorized application of H.P. Schedule of Rates the theoretical quantity of bitumen to be used in works shall be calculated on the basis of standard formula as laid down by Chief General Manager of the concerned circle. Over the said theoretical quantity of bitumen, a variation up to plus (excess) 2 ½ percent shall be allowed. The agreements which provide for free supply of bitumen, the value or price of the difference in the quantity of bitumen actually issued to the contractor and the theoretical quantity including the above mentioned authorized variation if not returned by the contractor shall be recovered at twice the issue rate of Rs.*..... per M.T. i/c storage charges without prejudice to the relevant conditions in the agreements regarding return of materials. In the event of it being discovered the quantity of bitumen used by the contractor is less than the quantity calculated in the manner aforesaid, there shall be no recovery for less use of bitumen (no variation on the lower side shall be allowed). The cost of the quantity of bitumen not so used shall be recovered from the contractor on the basis of stipulated issue rate included storage charge thereof up to site. The agreement which provides for supply of bitumen at a fixed rate, the value or price of the difference in the quantity of bitumen actually issued to the contractor and the theoretical quantity including the above mentioned authorized variation, if not returned by the contractor, shall be recovered at twice the issue rate of bitumen plus cartage to site including storage charges thereof without prejudice to the relevant conditions in the agreement regarding return of materials governing the contract. In the event of it being discovered that the quantity of bitumen used by the contractor is less than the quantity of bitumen calculated in the manner aforesaid (no variation on the lower side shall be allowed (the cost of the quantity of bitumen not so used shall be recovered from the contractor on the basis of stipulated

issue rate including storage charges and cartage thereof up to site. This is without prejudice to declaration of substandard nature of the work done.

** The rate as determined and fixed by the General Manager.*

CLAUSE 43:- compensation during war like situations

Pertaining to damage to works in consequence of hostilities of war like operations. The work (whether fully constructed or not) and all materials, machine, tools and plants, scaffolding, temporary building and other things connected there with shall be at risk of the contractor until the work has been delivered to the Engineer-in-Charge and a certificate from him to that effect obtained. In the event of the work or any materials properly brought to the site for incorporation in the work being damage or destroyed in consequence of hostilities or war like operations, the contractor shall, when ordered in writing by the Engineer-in-Charge remove any debits from the site, collect and properly stack or remove in store all serviceable materials salvaged from the damaged work and shall be paid at the contract rates in accordance with provisions of this agreement for the work of clearing the site of debris, stacking or removal of serviceable material and for the reconstruction of all works ordered by the Engineer-in-Charge such payments being in addition to compensation up to the value of the work, originally executed before being damaged or destroyed and not paid for. In case of works damaged or destroyed but not already measured and paid for the compensation shall be addressed by the General Manager up to Rs.5000/- and by the Chief General Manager concerned for a higher amount. The contractor shall be paid for the damage/destruction suffered and for the restoring the material at the rates based on the analysis of rates tendered for in accordance with the provisions of this agreement. The certificate of the Engineer-in-Charge regarding the quality and quantity of material and purpose for which they were collected shall be final and binding on all parties to this contract. Provided always that no compensation shall be payable for any loss in consequence of hostilities or war like operation (a) unless the contractor had taken all such precautions against Air Raid as are deemed necessarily by the A.R.P. Officers of the Engineer-in-Charge, (b) for any materials, etc. not on the site of the work or for any tools and plant, machinery, scaffolding temporary building and other thing not intended for the work. In the event of the contractor having to carry out reconstruction as aforesaid, he shall be allowed which extension of time for its completion as is considered reasonable by the General Manager.

CLAUSE 44:-apprentice act provisions to be complied with

The contractor shall comply with the provisions of the Apprentices Act, 1961 and the rules and order issued there under from time to time. If he fails to do so, his failure will be breach of the contract and the Chief General Manager may in his decision, cancel the contract. The contractor shall also be liable for any pecuniary liability arising on account of any violation by him of the provisions of the Act.

CLAUSE 45:- Release of security deposits after labour clearance

Security Deposit will not be refunded after contractor produces clearance certificate from Labour Officer. As soon as the work is virtually complete the contractor shall apply for the clearance certificate to labour officer under intimation to Engineer-in-charge .The Engineer-in-Charge , on receipt of said communication shall write to labour officer to intimate if any complaint is pending against the contractor in respect of the work .If no complaint is pending till after 3 months after completion of the work and /or no communication is received from the Labour Officer to effect till six months after the date of completion. it will deemed to have received the clearance certificate and security deposit will be released if otherwise due .

.....
Signature of the General Manager
For and on behalf of
The governor of Himachal Pradesh

SAFETY CODE

(REFERRED TO UNDER CLAUSE 19-C OF THE TENDER)

Safety Code:

1. Suitable scaffolds should be provided for workmen for all works that cannot safely be done from the ground, or from said construction except such short period work as can be done safely from ladders. When a ladder is used an extra Mazdoor shall be engaged for holding the ladder and if the ladder is used for carrying materials as well, suitable foot holds and land holds shall be provided on the ladder and ladder shall be given an inclination not steeper than $\frac{1}{4}$ to 1 ($\frac{1}{4}$ horizontal and 1 vertical).

2. Scaffolding or staging more than 12 feet above the ground floor, swing or suspended from an overhead support or erected with stationary support shall have a guard rail properly attached bolted, braced and otherwise secured at least 3 feet high above the floor or platform of such scaffolding or staging and extending along the entire length of the outside and ends thereof with only such opening as may be necessary for the delivery of the materials. Such scaffolding or staging shall be so fastened as to prevent it from swaying from the building or structure.

3. Working platform, gangways and stairways should be so constructed that they should not sag unduly or unequally and if the height of the platform or the gangway or the stairway is more than 12 feet above ground level or floor level, they should be closely boarded, should have adequate width and should be suitable fenced as described in (ii) above.

4. Every opening in the floor of a building or in a working platform be provided with suitable means to prevent the fall of persons or materials by providing suitable fencing or railing whose minimum height shall be 3'.0'.

5. Safe means of access shall be provided to all working platforms and other working places. Every ladder shall be securely fixed. No portable sing ladder shall be over 30 feet in length while the width between side rails in rung ladder shall in no case be less than 11 $\frac{1}{2}$ inches for ladder up to and including 10 feet in length. For longer ladders this width should be increased at least $\frac{1}{4}$ inch for each additional foot of length. Uniform step spacing shall not exceed 12 inches. Adequate precautions shall be taken to prevent danger from electrical equipment. No materials on any of the sites of work shall be so stacked or placed as to cause danger or inconvenience to any person or the public. The contractor shall provide all necessary fencing and lights to protect the public from accident and shall be bound to bear the expenses of defense of every suit action or other proceeding at law that may be brought by any person for injury sustained owing to neglect of the above precautions and to pay any damages and cost which may be awarded in any such suit, action or proceedings to any such persons or which may with the consent of the contractor be paid to compromise any claim by any such person.

Excavation and Trenching:

6. All trenches, four feet or more in depth shall at all times be supplied with at least one ladder for each 100 feet in length or fraction thereof. Ladder shall be extended from bottom of the trench to at least 3 feet above the surface of the ground. The site of the trenches which are 5 feet or more in depth shall be stopped back to give suitable slope or securely held by timber bracing, so as to avoid the danger of sides to collapse. The executed material shall not be placed within 5 feet of the edges of the trench it half on the depth of the of the trench whichever is more. Cutting shall be done from top to bottom. Under no circumstances under mining or under cutting shall be done.

Demolition:

Before any demolition work is commenced and also during the process of the work :-

- (i) All roads and open areas adjacent to the work site shall either be closed or suitably protected.
- (ii) No electric cable or apparatus which is liable to be a source of danger over a cable or apparatus used by the operator shall remain electrically charged.
- (iii) All practical steps shall be taken to prevent danger to person employed from risk of the fire or explosion or flooding. No floor, roof or other part of the building shall be so over loaded with debris or materials as to tender it unsafe.

8. All necessary person safety equipment as considered adequate by the Engineer-in-Charge should be kept available for the use of the person employed on the site and maintained in a condition suitable for immediate use and the contractor should take adequate steps to ensure proper use of equipment by those concerned.

(i) Workers employed on mixing asphaltic materials, cement and lime mortars shall be provided with protective foot wear and protective goggles.

(ii) Those engaged in white washing and mixing stacking of cement bags or any material which is injurious to the eyes shall be provided with protective goggles.

(iii) Those engaged in welding works shall be provided with welder's protective eye sight lids.

(d) Stone breakers shall be provided with protective goggles and protective clothing and seated at sufficiently safe intervals.

(iv) When workers are employed in sewers and manholes, which are in use, the contractor shall ensure that the manhole covers are opened and are ventilated at least for an hour before the workers are allowed to get into the manholes and the manholes so opened shall be cordoned off with suitable railing and provided, with warning signals or boards to prevent accident to the public. 9. The contractor shall not employ men and women below the age of 18 years and women on the work of painting with products containing lead in any form. Wherever men above the age of 18 are employed on the work of lead painting, the following precautions should be taken.

i.) No paint containing lead products shall be used except in the form of paste or ready made paint.

ii.) Suitable face masks should be supplied for use by the workers when paint is applied in the form of spray or a surface having lead paint dry rubbed and scrapped.

iii.) Overalls shall be supplied by the contractors to the workmen and adequate facilities shall be provided to enable the working painters to wash during the cessation of work.

iv.) White lead, sulphate of lead or product containing these pigments, shall not be used in painting operation except in the form of pastes of paint ready for use.

v) Measurers shall be taken, where ever required in order to prevent danger arising from the application of a paint in the form of spray.

vi.) Measurers shall be taken, whenever practicable, to prevent danger arising out of form dust caused by dry rubbing down and scrapping.

vii.) Adequate facilities shall be provided to enable working painters to wash during and on cessation of work.

(vii) Overall shall be worn by working painters during the whole of working period.

(viii) Suitable arrangement shall be made to prevent clothing put off during working hour being spoiled by painting materials.

ix.) (a) Case of lead poisoning and of suspected lead poisoning shall be notified and shall be subsequently verified by medical man appointed by competent authority of P.W.D. Department. (b) The P.W.D. Department may require when necessary medical examination of workers.

Inspection with regard to the special hygienic precaution to be taken in the painting trade shall be distributed to working painters.

10 When the work is done near any place where there is risk is drawing, all necessary equipments should be provided and kept ready for use and all necessary steps taken for prompt rescue of any person in danger and

adequate provision should be made for prompt first aid treatment of all injuries likely to be sustained during the course of the work.

11 .Use of hosting machines and tackle including their attachments anchorage and supports shall confirm to the following standards or condition:-

1 (a) These shall be of good mechanical construction, sound materials and adequate strength and free from patent defect and shall be kept in good repair and in good working order, (b) Every rope used in hosting or lowering materials or as a mean of suspension shall be of durable quality and adequate strength and free from patent defects.

2. Every crane driver of hoisting appliance operator shall be properly qualified and no person under the age of 21years should be in charge of any hoisting machine including any scaffold which or give signals to operator.

3. In case of every hoisting machine and of every crane ring hook, suckle shrivel and pulley block used in hoisting or as means of suspension the safe working load shall be ascertained by adequate means. Every hoisting machine and all gear referred to above, shall be plainly marked with the safe working load. In case of a hoisting machine having a variable safe working load, each safe working load of the conditions

under which it is applicable shall be clearly indicated. No part of any machine or any gear referred to above in this paragraph shall be loaded beyond the safe working load except for the purpose of testing.

4. In case of departmental machines the safe working load shall be notified by the Electrical Engineer-in-Charge. As regard contractors machines the contractors shall notify the safe working load of the machine to the Engineer-in-Charge whenever he brings any machine to site of work and gets it verified by the Electrical Engineer concerned.

12 Motors, Gearing, Transmission, Electrical wiring and other dangerous part of hoisting appliances should be provided with efficient safeguards, hoisting appliances should be provided with such means as will reduce to the minimum the risk of accidental descent of the load, adequate precautions should be taken to reduce to the minimum the risk of any part of a suspended load becoming accidentally displaced. When workers employed

on electrical installations which are already energized, insulated mats, wearing apparel, such as gloves, sleeves and both as may be necessary should be provided. The workers should not wear any rings, watches and carry keys or other materials which are good conductors of electricity.

13 All scaffold, ladders and other safety devices mentioned or described herein shall be maintained in sale condition and scaffold ladder or equipment shall be altered or removed while it is in use. Adequate washing facilities should be provided at or near places of work.

14. These safety provisions should be brought to the notice of all concerned by display on notice board at a prominent place at work spot. The person responsible for compliance of the safety code shall be named therein

by the contractor.

15 To ensure effective enforcement of the rules and regulation relating to safety precautions. The arrangements made by contractor shall be open to inspection by the Labour Officer, Engineer-in-Charge of the department of their representative.

16 Notwithstanding the above clause from (i) to (xiv) there is nothing in these to exempt the contractor from the operations of any other Act, or Rules in force in the Republic of India.

MODEL RULES FOR THE PROTECTION OF HEALTH AND SANITARY ARRANGEMENTS FOR WORKERS EMPLOYED BY HIMACHAL PRADESH I.P.H. DEPARTMENT OR ITS CONTRACTORS

1. Application:-

These rules shall apply to all building and construction works in charge of Himachal Pradesh P.W.D. Department.

2. Definitions:-

(i) 'WORK PLACE' means a place at which at an average, fifty or more workers are employed in connection with construction works.

(ii) 'LARGE WORK PLACE' means a place at which, at an average 500 or more workers are employed in connection with construction work.

3. First Aid Facilities :-

(i) At every work place, there shall be provided and maintained so as to be easily Accessible during working hours, first aid boxes at the rate of not less than one box for 150 contract labour or part thereof ordinarily employed.

(ii) The first-aid box shall be distinctly marked with a red cross on white ground and shall contain the following equipment, namely:-

(a) For works places in which the number of contract labour employed does not exceed 50 each, first-aid box shall contain the following equipment:-

1. 6 small sterilized dressings.
2. 3 medium size sterilized dressings.
3. 3 large size sterilized dressings.
4. 3 large size sterilized burn dressings.
5. 1 (30ml) bottle containing a two percent alcoholic solution of iodine.
6. 1(30ml) bottle containing solvalite having the dose and mode of administration indicated on the label.
7. 1 snake bite lancet.
8. 1 (30gms) bottle of potassium permanganate crystal.
9. 1 pair scissors
10. 1 copy of the first aid leaflet issued by the Doctor, Health Services, Himachal Pradesh.
11. 1 bottle containing 100 tablets (each 5 grams) of aspirin.
Ointment of burns.
12. A bottle of suitable surgical antiseptic solution.

(b) For work places in which the number of contract labour exceed 500, each first-aid box shall contain the following equipments.

- 12 small sterilized dressings.
- 6 medium size dressings.
- 6 large size sterilized burn dressings.
- 6 (15gms) packets sterilized cotton wool.
- 1 (60ml) bottle containing a two percent alcoholic solution iodine
- 1 (60ml) bottle containing salvolatile having the dose and mode of administration indication on the label
- one roll of adhesive plaster.
- 1 snake bite lancet.
- 1 (30gms) bottle of potassium permanganate crystal.
- 1 pair scissors
- 1 copy of first aid leaflet issued by the Director, Health Services of Himachal Pradesh.
- A bottle containing 100 tablets (each of 5 grams) of aspirin.
- Ointment of burns.
- A bottle of suitable antiseptic solution.

(iii) Adequate arrangements shall be made for immediate recoument of the equipment when necessary.

- (iv) Nothing except the prescribed contents shall be kept in the First-Aid box.
 - (v) The First-Aid box shall be kept in-charge of a responsible person who always be readily available during working hours of the work place.
 - (vi) A person in charge of First Aid box shall be a person trained in First-Aid treatment in work places where the number of contract labour employed is 150 or more.
 - (vii) In work place where the number of contract labour employed is 500 or more and hospital facilities are not available within easy distance of the work , First-aid post shall be established and run by a trained compounder. The compounder shall be on duty and shall be available at all hours when the workers are at work.
 - (viii) Where work places are situated in places which are not towns or cities, a suitable motor transport shall be kept readily available to carry injured person or persons suddenly taking ill to the nearest hospitals.
- 4. Drinking water** - (i) In every work place, there shall be provided and maintained at suitable places, easily accessible to labour, a sufficient supply of cold water fit for drinking.
- (ii) Where drinking water is obtained from an intermittent public water supply, each work place shall be provided with storage where such drinking water shall be stored.
 - (iii) Every water supply of storage shall be at distance of not less than 50 feet from any latrine, drain or other source of pollution, where water has to be drawn from an existing well which is within such proximity of latrine, drain or and other source of population, the well shall be properly chlorinated before water is drawn from it for drinking. All such wells shall be entirely closed in and be provided with a trap-door which shall be dust and water-proof.
 - (iv) A reliable pump shall be fitted to each covered well, the trap-door shall be kept locked and opened only for cleaning or inspection which shall be done at least one a month.
- 5. Washing and Bathing Places** - (i) Adequate washing and bathing places shall be provided, separately for men and women . (ii) Such places shall be kept in clean and drained condition.
- 6. LATRINES AND URINALS** - (i) Latrines shall be provided in every work place on the following scale, namely :- (a) Where females are employed, there shall be at least one latrine for every 25 females.
- (ii) Where males are employed, there shall be at least one latrine for every 25 males. Provided that where the number of males or females exceeds 100, it shall be sufficient if there is one latrine for 25 males or females, as the case may be upto the first 100, and one for every 50 thereafter.
 - (ii) Every latrine shall be under cover and so partitioned off as to secure privacy and shall have a proper door and fastening.
 - (iii) Construction of Latrines: - The inside walls shall be constructed of masonry or some suitable heat resisting non-absorbent materials and shall be cement washed inside and outside at least once a year. Latrines shall not be of a standard lower than bore-whole system.
 - (iv) (a) Where workers of both sexes are employed there shall be displayed outside each block of latrine and urinal a notice in the language understood by the majority of workers “For men Only” and “For Women only” as the case may be. (b) The notice shall also bear the figure of a man or of a woman, as the case may be.
 - (v) There shall be atleast one urinal for male workers upto 50 and one for female workers upto fifty employed at a time. Provided that where the number of male or females workers as the case may be, exceeds 500, it shall be sufficient if there is one urinal for every 50 males or females up to the first 500 and one for every 100 or part thereof, thereafter.
 - (vi) (a) The latrines and urinals shall be adequately lighted and shall be maintained in a clean and sanitary condition at all times. (b) Latrines and urinals than those connected with a flush sewerage system shall comply with the requirements of the Public Health Authorities.
 - (vii) Water shall be provided by means of a tap r otherwise so as to conveniently accessible in or neat the latrines and urinals.
 - (viii) Disposal of excreta: - Unless otherwise arranged for by the local sanitary authority, arrangements for proper disposal of excreta by incineration at the work place shall be made by means of a suitable incinerator. Alternately excreta may be disposed of by putting a layer of night soil at the bottom of a pucca tank prepared for the purpose and covering it with a 15 cm layer of earth for a fortnight (When it will turn into manure).
 - (ix) The contractor shall, at his own expense, carry out all instructions issued to him by the Engineer-in-Charge to effect proper disposal of soil and other conservancy work in respect of the contractor’s workmen

or employees on the site. The contractor shall be responsible for payment of any charges which may be levied by Municipals or Cantonment Authority for execution of such work on his behalf.

7. Provision of shelters during rest - At every work place shall be provided, free of cost, two suitable sheds, one for meals and the other for rest separately for men and women for the use of labour. The height of the shelter shall not be less than 11 feet from the floor level to the lowest part of the roof. The sheds should be roofed with at least thatch and mud flooring will be provided with a dwarf wall around not less than 2 1/2 feet. Sheds should be kept clean and the space should be on the basis of at least 5 square feet per head.

8. Crèches - (i) At every work place, at which 50 or more women workers are ordinarily employed, there shall be provided two huts for the use of children under the age of 6 years, belonging to such women. One hut shall be used by infants for games and play and the others as other bed-room. The huts shall not be constructed on a lower standard than followings:-

(a) Thatched roofs: (b) mud floors and walls: (c) planks spread over the mid floor and covered with matting.

(ii) The rooms shall be provided with suitable and sufficient opening for light and ventilation. There shall be adequate provision of sweepers to keep the places clean.

(iii) The contractors shall supply adequate number of toys and games in the playroom and sufficient number of cots and bedding in the bedroom.

(iv) The contractor shall provide one Dai to look after the children in the crèche when the number of women workers does not exceed 50 and two Dais when the number of women workers exceed 50.

(v) The use of the rooms earmarked as crèche shall be restricted to children, their attendants and mothers of the children.

9. CANTEEN

(i) In every work place where the work regarding the employment of contract labour is likely to continue for six months and where in contract labour numbering one hundred or more are ordinarily employed an adequate canteen shall be provided by the contractor for the use of such contract labour.

(ii) The Canteen shall be maintained by the contractor in an efficient manner.

(iii) The canteen shall consist of at least a dining hall, kitchen, store room, pantry and washing places separately for workers and utensils.

(iv) The canteen shall be sufficient lighted at all times when any person has access to it.

(v) The floor shall be made of smooth and impervious material and inside walls shall be lime washed or colour washed at least once in each year. Provided that the inside walls of the kitchen shall be lime washed every four months.

(vi) The presents of the canteen shall be maintained in a clean and sanitary condition.

(vii) Waste water shall be carried away in suitable covered drains and shall not be allowed to accumulate so as to

cause a nuisance.

(viii) Suitable arrangements shall be made for the collection and disposal of garbage.

(ix) The dining hall shall accommodate at a time 30 percent of the contract labour working at a time.

(x) The floor area of the dining hall, excluding the area occupied by the service counter and any furniture except tables and chairs shall not be less than one square meter per dinner to be accommodated as prescribed in sub rule 9.

(xi) (a) A portion of the dining hall, service counter shall be partitioned off and reserved for women workers in proportion to their number. (b) Washing place for women shall be separate and screened to secure privacy.

(xii) Sufficient tables, stools, chairs or benches shall be available for the number of dinners to be accommodated as prescribed in sub rule 9.

(xiii) (a) [1] There shall be provided and maintained sufficient utensils, crockery, furniture and any other equipment necessary for the efficient running of the canteen.

[2] the furniture , utensils and other equipment shall be maintained in a clean and hygienic condition.

(b) [1] Suitable clean clothes for the employees serving in the canteen shall be provided and maintained

[2] A service counter, if provided shall have top of smooth and impervious material.

- [3] Suitable facilities including an adequate supply of hot water shall be provided for the cleaning of utensils and equipment.
- (xiv) The food stuffs and other items to be served in the canteen shall be in conformity with the normal habits of the contract labour.
- (xv) The charges for food stuffs, beverages and any other items served in the canteen shall be based on 'No Profit, No Loss' and shall be conspicuously displayed in the canteen.
- (xvi) In arriving at the price of food-stuffs, and other articles served in the canteen the following items shall not be taken into consideration as expenditure, namely:-
- (a) The rent of land and building
 - (b) The depreciation and maintenance charges for the building and equipment provided for in the canteen
 - (c) The cost of purchase, repairs and replacement of equipment including furniture, crockery, cutlery and utensils
 - (d) The water charges and other charges incurred for lighting and ventilation.
 - (e) The interest and amount spent on the provision and maintenance and equipment provided for in the canteen.
- (xvii) The accounts pertaining to the canteen shall be audited once in every 12 months by registered accountants and auditors.

10. ANTI-MALARIAL PRECAUTION

The Contractor shall at his own expense, conform to all anti-malarial instructions given to him by the Engineering-Charge including the filling up of any borrow pits which may have been dug by him.

11. The above rules shall be incorporated in the contracts and in notices inviting tenders and shall form an integral part of the contracts.

12. Amendments:

Government may, from time to time add to or amend these rules and issue such directions as it may be considered necessary for the purpose of removing any difficulty which may arise in the administration.

CONTRACTORS LABOUR REGULATIONS

(1) Short Title - These regulations may be called the Himachal Pradesh Public Works Department Contractor Labour Regulations.

(2) Definitions :- In these regulations, unless otherwise expressed or indicated the following words and expressions shall have the meaning hereby assigned to them respectively, that is to say:

- (i) 'LABOUR' means workers employed by Himachal P.W.D. Department contractor directly or indirectly through a sub contractor or other persons or by an agent on his behalf on a payment not exceeding Rs. 400 per month and will not include supervisory staff like Junior Engineer etc.
- (ii) 'FAIR WAGES' means wages whether for time or piece work notified at the time of inviting tenders for the work and where such wages have not been so notified, the wages prescribed by the Himachal P.W.D. Department for wages the District in which the work is done. (It will be notified/prescribed by the Himachal P.W.D. Department in consultation with the officer of the Industrial Relation Machinery located in the respective areas and will not be less than the minimum rates of wages fixed by the Government for that class of employee engaged on the same type of work in the same area).
- (iii) 'CONTRACTOR' shall include every person whether a sub-contractor or head-man or agent, employing labour on the work taken on contract.
- (iv) 'WAGES' shall have the same meaning as defined in the Payment of Wages Act and includes time and piece rate wages.

(3) Working Hours:-

- (i) Normally working hours of an adult employee should not exceed 9 hours a day, and in case of a child 4 1/2 hours a day. The working day shall be so arranged that is inclusive of interval for rest, if any, it shall not spread over more than 12 hours on any day.
- (ii) When an adult worker is made to work for more than 9 hours on any day or for more than 48 hours in any week, he shall be paid overtime of the extra hours put in by him at double the ordinary rate of wages. Children shall not be made to work extra hours.
- (iii) Every worker shall be given a paid weekly holiday normally on Sunday.
- (iv) In accordance with the provision, Minimum Wages Control Rules, 1978 as amended from time to time irrespective of whether such workers are to be governed by the Minimum Wages Act, 1948 or not.

(4) Display of notice regarding wages etc.:- The contractor shall before he commences his work on contract, display and correctly maintain and continue to display and correctly maintain in a clean and legible condition in conspicuous places on the work notices in English and in the local Indian Language spoken by the majority of the workers, giving the rate of wages, should have been certified by the General Manager, the Chief General Manager, the Chief General Manager or Regulation Labour Commissioner, as fair wages and the hours of work for which such wages are earned, and

(ii) Send a copy of such notices to the Certifying officer. The Labour Advisory Board has decided that certain clauses may be contract Labour Regulation appearing in P.W.D. Department from 7&8. Accordingly it has been decided that the following amendments may be made in the said forms under the rules mentioned against them:-

(5) Payment of wages:-

(i) The contractor shall fix the wages periods in respect of which the wages shall be payable.

(ii) No wages period shall exceed one month.

(iii) Wages of every worker employed on the contract shall be paid (a) in case of establishments in which wage period is one week within 3 days from the end of the wage period and (b) in case of other establishments before the expiry of the 7th day or 10th day from the end of the wages period accordingly as the number of workers employed in such establishments does not exceed 1,000 or exceeds 1,000.

(iv) Where the employment of any worker is terminated by or on behalf of the contractor, the wages earned by him shall be paid before the expiry of the day succeeding thereon on which his employment is terminated.

(v) All payment of wages shall be made on a working day except when the work is completed before the expiry, of the wages period, in which case final payment shall be made within 48 hours of the last working day at work site and during the working time.

(vi) Wages due to every worker shall be paid to him direct.

All wages shall be paid in current coin or currency or in both.

(6) Fines and deductions which may be made from wages:-

(i) The wages of a worker shall be paid to him without any deduction of any kind except the following:-

(a) Fines.

(b) Deductions for absence from Duty i.e. from the place or places where by the terms of his employment he is required to work. The amount of deduction shall be in proportion to the period for which he was absent.

(c) Deductions for damage to or loss of goods especially entrusted to the employed person for custody, or for loss of money or any other deduction which he is required to account where such damage or loss is directly attributable to his neglect or default.

(d) Deduction for recovery of advances or for adjustment of over payment of wages, advances granted shall be entered in register.

(e) Any other deduction which the Himachal Pradesh Government may from time to time allow.

(ii) No fine should be imposed on any worker same in respect of such acts and omission on his part as have been approved of by the Chief Labour Commissioner or any other person authorised by the Himachal Pradesh Government.

(iii) No fine shall be imposed on any worker and no deduction for damage or loss shall be made from his wages until he worker has been given an opportunity of showing cause against such fines or deductions.

(iv) The total amount of fine which may be imposed in any one wage period on a worker shall not exceed an amount equal to three paise in a rupee of the total wages, payable to him in respect of that wage period.

(v) No fine imposed on any worker shall be recovered from him by installment or after the expiry of sixty days from the date on which it was imposed.

(vi) Every fine shall be deemed to have been imposed on the day of the act or omission in respect of which it was imposed.

7. LABOUR RECORDS

i) The contractor shall maintain a **Register of persons employed** on work on contract in Form XIII of the CL (R&S) Central Rule 1971 (Appendix IV)

ii) The contractor shall maintain a **Mustar Roll** register in respect of all workmen employed by him on the work under Contract in Form XVI of the CL (R&A) Rules 1971 (Appendix V).

iii) The contractor shall maintain **Wage Register** in respect of all workmen employed by him on the work under contract in Form XVII of the CL (R&A) Rules 1971 (Appendix VI).

iv) **Register of accident**:-The contractor shall maintain a register of accidents in such form as may be convenient at the work place but the same shall include the following particulars :

- a) Full particulars of the labourers who met with accident.
 - b) Rate of Wages.
 - c) Sex
 - d) Age
 - e) Nature of accident and cause of accident.
 - f) Time and date of accident.
 - g) Date and time when admitted in Hospital.
 - h) Date of discharge from the Hospital.
 - i) Period of treatment and result of treatment.
 - j) Percentage of loss of earning capacity and disability as assessed by Medical Officer.
 - k) Claim required to be paid under Workmen's compensation Act.
 - l) Date of payment of compensation.
 - m) Amount paid with details of the person to whom the same was paid.
 - n) Authority by whom the compensation was assessed.
 - o) Remarks.
- v) The contractor shall maintain a **Register of Fines** in the Form XII of the CL (R&A) Rules 1971 (Appendix –XI)

The contractor shall display in a good condition and in a conspicuous place of work the approved list of acts and omissions for which fines can be imposed (Appendix-X)

vi) The contractor shall maintain a **Register of deductions for damage or loss** in Form XX of the CL (R&A) Rules 1971 (Appendix-II)

vii) The contractor shall maintain a **Register of Advances** in Form XIII of the CL (R&A) Rules 1971 (Appendix XIII)

viii) The contractor shall maintain a **Register of overtime** in Form XXII of the CL (R&A) Rules 1971 (Appendix- XIV)

8. ATTENDANCE CARD-CUM-WAGE SLIP

- i) The contractor shall issue an **Attendance card-cum-wage** slip to each workman employed by him in the specimen form at (Appendix-VII)
- ii) The card shall be valid for each wage period
- iii) The contractor shall mark the attendance of each workman on the card twice each day, once at the commencement of the day and again after the rest interval before he actually starts work.
- iv) The card shall remain in possession of the worker during the wage period under reference.
- v) The contractor shall complete the wage slip portion on the reverse of the card at least a day prior to the disbursement of wages in respect of the wage period under reference.
- vi) The contractor shall obtain the signature or thumb impression of the worker on the wage slip at the time of disbursement of wages and retain the card with himself

9. EMPLOYMENT CARD

The contractor shall issue an **Employment card** in Form XIV Of the CL (R&A) Central Rules 1971 to each worker within the days of the employment of the worker (Appendix-VIII)

10. SERVICE CERTIFICATE

On termination of employment for any reason whatsoever the Contractor shall issue to the workman whose services have been terminated, a **Service certificate** in Form XV of the CL (R&A) Central Rules 1971 (Append

(11) Preservation of Register :- The wages book, the wage slips, the register of unpaid wages, the register of accidents, the register of fine, deductions required to be maintained under these regulations shall be preserved for 36 months after the date of the last date entry made in them and shall be made available for inspection by the Engineer-in-Charge, Labour Welfare Officer or any officer authorized by the Himachal Pradesh Government in this behalf.

(12) Power of Labour Welfare Officer:- To make investigation or inquiry the Welfare Officer or other persons authorized by Himachal Pradesh Government on their behalf shall have power to make inquiries with a view to ascertaining enforcing and due and proper observance of the fair wages clause and provisions of these regulations. He shall investigate into any complaint regarding the default made by the contractor or Subcontractor in regard to sub provision.

(13) Report of Labour Welfare Officer :- The Labour Welfare Officer or other persons authorized as aforesaid shall submit a report of result of his investigation or inquiry to the General Manager concerned indicating the extent, if any, to which the default has committed with a notice that necessary deductions from the contract's bill be made and the wages and other dues be paid to the labourers concerned in case an appeal is made by the after the Regional Labour Commissioner has given his decision on such appeal. The General Manager shall arrange payments to the labourers concerned within 45 days from the receipt of the report of the Labour Welfare Officer or the Regional Labour Commissioner as the case may be.

(14) Appeal against the decision of the Labour Welfare Officer:- Any person aggrieved by the decision and recommendations of the Labour Welfare Officer or other person so authorized may appeal against such decision to the Regional Labour Commissioner concerned within 30 days from the date of decision, forwarding simultaneously a copy of his appeal to the General Manager concerned but subject to such appeal, the decision of the officer shall be final and binding upon the contractor.

(15) Prohibition regarding representation through lawyer :-

(i) A workmen shall be entitled to be represented in any investigation or enquiry under these regulations by:

(a) *An officer of a registered trade union of which he is member.*

(b) *An officer of federation of trade unions to which the trade union referred to in clause (a) is affiliated.*

(c) *Where the worker is not a member of any registered trade union, by an officer of registered union, connected with or by any other workman, employed in the Industry in which the worker is employed.*

(ii) **An employer shall be entitled to be represented in any investigation or an inquiry under these regulation by:**

(a) *An officer of a association of employer of which he is member.*

(b) *An officer of federation of association employers to which the association referred to in clause(a) is affiliated.*

(c) *Where the employer is not a member of any association of employer, by an officer of association or employer, connected with or by any other employer, engaged in the Industry in which the employer is engaged.*

(iii) **No party** shall be entitled to be represented by a legal practitioner in any investigation or inquiry under these regulations.

(16) Inspection of books and slips:- The contractor shall allow inspection of the wage book and the slips, the register of unpaid wages, the register of accident and the register of lines and deductions to any of his workers or to his agent at convenient time and place after the notice is received or to the Labour Welfare Officer or any other person, authorised by the Himachal Pradesh Government on his behalf.

(17) Submission of returns:- The contractor shall periodical returns as may be specified from time to time.

(18) Amendments :- The H.P. Government may, from time to time, add to or amend and on any question as to the application, Interpretation or effect of those regulation the decision of the Chief Labour

Commissioner or Deputy Chief Labour Commissioner to the Himachal Pradesh Government or any other Person authorised by Himachal Pradesh Government in the behalf shall be final.

MATERNITY BENEFITS (Clause 19 F)

Name and address of the contractor

Name and location of the work

Name of employee	Father's/ husband's name	Nature of employment	Period of actual employment	Date on which notice of confinement given.
1	2	3	4	5

Date on which maternity leave commenced and ended

Date of delivery/ miscarriage.	In case of delivery		In case of miscarriage.	
	commenced	Ended	commenced	Ended
6	7	8	9	10

Leave pay paid to the employee

In case of delivery		In case of miscarriage		Remarks.
Rate of leave pay	Amount paid	Rate of leave pay	Amount paid	
11	12	13	14	15

**SPECIMEN FORM OF THE REGISTER, REGARDING
MATERNITY BENEFIT ADMISSIBLE TO THE CONTRACTOR'S LABOUR
IN HIMACHAL PRADESH PUBLIC WORKS DEPARTMENT WORKS.**

Name and address of the contractor

Name and location of the work

1. Name of the woman and her husband's name.
2. Designation.
3. Date of appointment.
4. Date with months and years in which she is employed.
5. Date of discharge/dismissal, if any.
6. Date of production of certificate in respect of pregnancy.
7. Date on which the woman informs about the expected delivery.
8. Date of delivery/miscarriage/death.
9. Date of production of certificate in respect of delivery/miscarriage.
10. Date with the amount of maternity/death benefit paid in advance of expected delivery.
11. Date with amount of subsequent payment of maternity benefit.
12. Name of the person nominated by the woman to receive the

payment of the maternity benefit after her death.

13. If the woman dies, the date of her death, the name of the person to whom maternity benefit amount was paid, the month thereof And the date of payment.

14. Signature of the contractor authenticating entries in the register.

15. Remarks column for the use of Inspecting Officer.

LABOUR BOARD

Name of work

Name of Contractor

Address of Contractor

Name and address of HP.PWD Division

Name of HP.PWD Labour Officer

Address of HP.PWD, Labour Officer

Name of Labour Enforcement Officer

Address of Labour Enforcement Officer.

Sl.No.	Category	Minimum wage fixed	Actual wage paid	Number present	Remarks.

Weekly holiday

Wage period

Date of payment of wages

Working hours.

Rest interval.

REGISTER OF WORKMEN EMPLOYED BY CONTRACTOR

Name and address of contractor

Name and address of establishment under which contract is carried on

Nature and location of work

Name and address of Principal Employer

Sl. No.	Name and Surname of workman	Age and Sex	Father's/ Husband's name	Nature of employment/ designation.	Permanent home address of the workman (Village and Tehhsil, Taluk and District).	Local address	Date of commencement of employment	Signature or thumb impression of the workman.	Date of termination of employment	Reasons for terminations.	Remarks.
1	2	3	4	5	6	7	8	9	10	11	12

MUSTER ROLL

Name and address of contractor

Name and address of establishment under which contract is carried on

Nature and location of work

Name and address and Principal Employer..... For the Month of fortnight

Sl.No.	Name of workman	Sex	Father's/ Husband's name.	Dates					Remarks.
1	2	3	4	5					6
				1	2	3	4	5	

REGISTER OF WAGES

Name and address of contractor

Name and address of establishment under which contract is carried on

Nature and location of work

Name and address and Principal Employer.....wages Period: Monthly/Fortnight.

Sl. No.	Name of workman	Serial No. in the register of workman.	Designation/nature of work done.	No. of days worked.	Units of work done.	Daily rate of wages/ piece rate.	Amount of wages earned.				Deduct i-ons if any (indicate nature)	Net amount paid.	Signature or thumb impression of the workman.	Initial of contract or or his representative.	
							Basic wages.	Dearness allowances	Overtime	Other cash payments (indicate nature).					Total
1	2	3	4	5	6	7	8	9	10	11	12	13	14	15	16

Wage Card No.

WAGE CARD

Name and address of contractor Date of Issue.....

Name and location of workDesignation

Name of workmanMonth/Fortnight.....

Rate of Wages

1	2	3	4	5	6	7	8	9	10	11	12	13	14	15	16	17	18	19	20	21	22	23	24	25	26	27	28	29	30	31
---	---	---	---	---	---	---	---	---	----	----	----	----	----	----	----	----	----	----	----	----	----	----	----	----	----	----	----	----	----	----

Morning Rate

Evening Amount

Initial

Received fromthe sum of Rs.....on account of my wages

The Wage Card is valid for one month from the date of issue

Signature.

19/Form-XIX

[See rule 78(2)(b)]

WAGES SLIP

- Name and address of contractor.....
- Name and Father's/Husband's name of workman
- Nature and location of work
- For the Week/Fortnight/Month ending
- 1. No. of days worked
- 2. No. of units worked in case of piece rate workers.....
- 3. Rate of daily wages/piece rate
- 4. Amount of overtime wages
- 5. Gross wages payable
- 6. Deduction, if any
- 7. Net amount of wages paid.....

Initials of the contractor or his representative

Form –XIV
[See rule 76]

EMPLOYMENT CARD

- Name and address of contractor.....
- Name and address of establishment under which contract is carried on
- Name of work and location of work
- Name and address of Principal Employer
- 1. Name of the workman
- 2. Sl. No. in the register of workman employed
- 3. Nature of employment/designation.....
- 4. Wage rate (with particulars of unit in case of piece work).....
- 5. Wage period.
- 6. Tenure of employment
- 7. Remarks.

Signature of contractor

Form-XV (See Rule 77)
Service Certificate

Name and address of contractor

Nature and location of work

Name and address of workman.....

Age or date of birth

Identification marks

Father's/Husband's name

Name and address of establishment in under which contract is carried on.....

Name and address of Principal Employer.....

Sl.No.	Total Period for which employed		Nature of work done	Rate of wages (with particulars of unit in case of piece work)	Remarks.
	From	To			
1	2	3	4	5	6

Signature

LIST OF ACTS AND OMISSIONS FOR WHICH FINES CAN BE IMPOSED

In accordance with rules 7 (v) of the CPED Contractor's labour Regulations to be displayed prominently at the site of work both in English and local Language.

1. Willful insubordination or disobedience, whether alone or in combination with other.
2. Theft fraud or dishonesty in connection with the contractors beside a business or property of CPWD.
3. Taking or giving bribes or any illegal gratifications.
4. Habitual late attendance.
5. Drunkenness lighting, riotous or disorderly or indifference behavior.
6. Habitual negligence.
7. Smoking near or around the area where combustible or other materials are locked.
8. Habitual indiscipline.
9. Causing damage to work in the progress or to property of the CPWD or of the contractor.
10. Sleeping on duty.
11. Malingering on duty.
12. Giving of false information regarding name, age father's name etc.
13. Habitual loss of wage cards supplied by the employers.
14. Unauthorized use of employer's property of manufacturing or making of unauthorized particles at the work place.
15. Bad workmanship in construction and maintenance by skilled workers which is not approved by the Department and for which the contractors are compelled to undertake rectifications.
16. Making false complaints and/or misleading statements.
17. Engaging on trade within the premises of the establishments.
18. Any unauthorized divulgence of business affairs of the employees.
19. Collection or canvassing for the collection of any money within the premises of an establishment unless authorized by the employer.
20. Holding meeting inside the premises without previous sanction of the employers.
21. Threatening or intimidating any workman or employer during the working hours within the premises.

Form-XII (See Rule 78(2) (d))

Register of Fines

Name and address of contractor

Name and address of establishment in under which contract is carried on.....

Nature and location of work

Name and address of Principal Employer.....

Sl.No.	Name of workman	Father's/ Husband's name	Designation/ nature of employment	Act/ Omission for which fine imposed.	Date of Offence	Whether workman showed cause against fine.	Name of person in whose presence employee's explanation was heard.	Wage period and wages payable.	Amount of fin imposed.	Date on which fine realized.	Remarks.
1	2	3	4	5	6	7	8	9	10	11	12

(See Rule 78(2) (d))

Register of Deduction for Damage or Loss

Name and address of contractor.....

Name and address of establishment in under which contract is carried on

Nature and location of work

Name and address of Principal Employer.....

Sl.No.	Name of workman	Father's/ Husband name.	Designation/ nature of employment.	Particulars of damage or loss.	Date of damage or loss.	Whether workman showed cause against deduction.	Name of person in whose presence employee's explanation was heard.	Amount of deducti on imposed .	No. of installme nts.	Date of recovery.		Remark- ing.
										First Installm- ent	Last instal lment .	
1	2	3	4	5	6	7	8	9	10	11	12	13

Form-XXII (See Rule 78(2)(d))

Register of Advances

Name and address of contractor.....

Name and address of establishment in under which contract is carried on.....

Nature and location of work.....

Name and address of Principal Employer.....

Sl.No.	Name of workman	Father's/ Husband name.	Designation/ nature of employment.	Wage Period and wages payable.	Date and amount of advance given.	Purpose(s) for which advance made.	Number of installments by which advance to be repaid.	Date and amount of each install- ment repaid.	Date and which last installment was repaid.	Remarks.
1	2	3	4	5	6	7	8	9	10	11

Register of Overtime

Name and address of contractor.....

Name and address of establishment in under which contract is carried on.....

Nature and location of work.....

Name and address of Principal Employer.....

Sl.No.	Name of Workman.	Father's/ Husband's name.	Sex	Designation/ nature of employment.	Date on which overtime worked.	Total overtime worked or production in case of piece rated.	Normal rate of wages.	Overtime rate of wages.	Overtime earning	Rate on which overtime paid.	Remarks.
1	2	3	4	5	6	7	8	9	10	11	12

**Govt of Himachal Pradesh
Public works Department**

PERFORMA OF SCHEDULES

(With reference to General Rules & directions ,Conditions ,Definitions ,Clauses of HPPWD Form no 8)

Sr No 1. SCHEDULE ‘A’

Schedule of quantities (as per PWD-3)

Sr No 2. SCHEDULE ‘B’(Refer clause 10)

DETAIL STORES TO BE SUPPLIED BY DEPARTMENT

Sr.No	Item of Stores supplied by Deptt	Unit	Rate i/c all charges	Place of issue of Store

Total itemsNos. only

Sr No 2.1 In case bitume emulsion is supplied by the department in drums, in such case n less than 80% empty drums shall be returned to the department failing which relevant cost shall be recovered as per the rate decided by the Engineer in Charge.

Sr.No 3. SCHEDULE ‘C’(Refer clause 34)

Sr.No 3.1 (a) The following plant and machinery required for the work will be issued to the contractor on hire on conditions given below if available only.

Sr No	Description	Hirecharges per day per hour	Place of issue
.....	
....	
....	

Sr.No 4. SCHEDULE ‘D’

if any Extra schedule for specific requirement /document for the work

- (a).....
- (b).....
- (c).....

Sr.No 5 SCHEDULE ‘E’ (indicate whether 10C/10CC/10CA is applicable)

For determining the components for clause 10CC

(A) Building Works

	Materials %age	Labour % age
1. Load bearing masonry Structures	75.00	25.00
2. RCC framed structures	80.00	20.00

(B) Road Works

1. Earth work (average) Classification	35.00	65.00
2. Retaining /Breast Wall	75.00	25.00
3. Cross driftage / Metalling / Tarring	80.00	20.00
4. For composite works involving earth work, Retaining structures etc. the percentages of material and Labour components shall be worked out on the basis of above percentages by taking their weighted means.		

(C) Bridge Works

1. Bridge i/c its components	85.00	15.00
2. For composite bridge works with provision for approach roads, the percentages of materials and labour components shall be worked out from Percentages indicated under (B) 1 to 4 above (c) 1		

For determining the component for clause 10 CA

Component of Cement

.....%

Expressed as percentage of total value of work

Component of Steel

.....%

Expressed as percentage of total value of work

Component of Bitumen

.....%

Expressed as percentage of total value of work

Component of Civil works (except cement, steel, Bitumen)

.....%

Component of Labour

.....%

Expressed as percentage of total value of work

Component of P.O.L

.....% < (8%)

Expressed as percentage of total value of work

Sr No 6 SCHEDULE 'F'

Reference to General Rules & directions

Sr No 6.1 Officer inviting tender General Manager, Ropeways and Rapid Transport System Development Corporation H.P. Limited

Sr No 6.2 Name of work Construction of Sheep Shed (240 sheep capacity) with associated structures in Ram Centre at Sheep Development Farm Nagwai Distt. Mandi (H.P.). (SH:- C/o Approach road, Sheep Shed, Chaff Shed, Shearing Shed, Grass Shed and site development etc.)

Sr No 6.3 cost of tender document Rs. 5000.00

Sr No 6.4 (i) Estimated cost Rs. 112.30 Lacs

Sr No 6.5 Earnest Money = Rs 1.50 Lacs

Amount of Earnest money to be deposited as under:-

- (i) For works costing upto Rs.15.00 lacs = 2%
- (ii) For works costing between Rs.15.00 lacs to 50.00 lacs = (i)+1.5%
- (iii) For works costing above Rs.50.00 lacs = (ii)+1% with
Maximum limit of Rs.5.00 lacs.

~~Sr No 6.6 (iii) Performance Security = Rs. 4 % of tender value to be submitted within 15 days of award of work in shape of FDR or schedule bank or Bank guarantee of of schedule bank pledged in name of General Manager Division HPPWD payable at~~

Sr No 6.7 (iv) Security Deposits = 5% of tendered value

Sr No 6.8(v) Time allowed for completion of work 6 Months

Sr No 6.9 Refer to 19 of general rules & directions (strike out if not required)

Sr No 6.10 Minimum similar work done in last five years (without Liquidated Damage or compensation)

One work not less than 40% (forty percent) of the estimated cost.

Reference to conditions of contract

Sr No 6.11 Refer to condition no 2

Definitions

2(v) Engineer-in-Charge **General Manager**

2(viii) Accepting authority **General Manager**

(2x) percentage of material & labour
To cover all overheads and profit

2(xi) Standard Schedule of Rates **HPSR 2009**

2(xii) Department RTDC

9(ii) Standard HPPWD contract form HPPWD form no 8 as modified
&corrected up to

Sr No 6.12 Reference to Clauses of contract:

Clause 2

Authority for fixing compensation **Chief General Manager.**

Clause 2 A. Weather clause 2 A shall be applicable **Yes/No.**

Sr No 6.13(a) Clause 5

No of days from the date of issue 15 days of letter of acceptance for reckoning
as Date of start

Table of Mile Stone (s)

Sr .No.	Description of Milestone(Physical)	Time Allowed in days (from date of start)	Amount to be with held in case of non achievement of milestone.

OR

Sr.No.	Financial Progress	Time Allowed in days (from date of start)	Amount to be with held in case of non achievement of milestone.
1.	1/8 th (of whole work)	1/4 th (of whole work)	In the event of not achievement the necessary progress as assessed from the running payments, 1% of the tender value of work will be with held for failure of each mile stone.
2.	3/8 th (of whole work)	1/2 th (of whole work)	-do-
3.	3/4 th (of whole work)	3/4 th (of whole work)	-do-
4.	Full	Full	-do-

Sr No 6.13(b) Refer clause no 7

- i) Minimum value of work done should be 15% of the contract value for works of contract value less then Rs. 60 lacs.
- ii) Minimum value of work done should be 10% of the contract value for works of contract value more then Rs. 60 lacs.

Sr No 6.14 Refer clause no 10A

- (i) **List of Equipment to be provided by contractor at site**

- 1.....
- 2.....
- 3.....
- 4.....
- 5.....
- 6.....

- (ii) **List of Preferred makes for material related to Civil/Sanitary works. (as per approval of Govt. vide letter No. PBW(B)C(17)2/2012 dated 07/08/2018)**

Sr No 6.15 Refer clause no 10 B

Whether clause no 10B applicable Yes

Sr No 6.16 Refer clause no 11

Specifications to be followed for execution of work

For Building work H.P.PW.D specification for buildings 1990

For Road work (Rural) Ministry of Rural department Govt of India specifications for rural roads May 2007

For Road work (NH or CRF Roads) Ministry of Road Transport & Highway Govt of India specifications

Sr No 6.17 Refer to clause no 12

Deviation limit for which 12A shall apply--- 30%

Sr No 6.18 Refer to clause no 16

Competent authority for deciding reduced rates Chief General Manager

Sr No 6.19 Refer clause no 18

List of mandatory machinery, tools & plants to be owned by contractor

Sr no	Description of Machinery ,T&P	No. required at site
1.		
2.		
3.		
4.		
5		
6.		
7		

Submit documentary proof of ownership.

Sr No 6.20 Refer clause 19 B

Fair wages shall be applicable as notified by the H.P. Govt. and applicable on the date of opening of the tender.

The rates of daily wages in respect of various categories of daily wages engaged in various Department in H.P. are revised as shown in Annexure-I. The per hour rate of part-time workers is also revised from Rs. 17.00 per hour to Rs.19.00 per hour w.e.f. 1st September, 2012.

All those engaged on daily wages basis/part-time basis in the Scheduled Tribal Areas of the State shall be allowed 25% enhancement on the revised daily wages as per Finance Department's Office Memorandum No. FIN (PR) B(7)-1/95-II dated 17.04.1998.

EMPLOYMENT IN CONSTRUCTING / MAINTENANCE OF ROADS OR IN BUILDING OPERATIONS STONE BREAKING OF IN STONE CRUSHING. PAYMENT OF WAGES TO LABOURERS. Vide Letter No. FIN- (PR) B (7) - 33/2010 Dated Shimla-171002, the 16 April, 2018.

(u)

No. EDN-H(1) B(15)1/2009 Imp. Instt.-2018
Directorate of Higher Education
Himachal Pradesh

शिक्षा निदेशालय उच्च शिक्षा

09 APR 2019

Dated Shimla- 171001 the, _____

To

1. All the Principals, Govt. Degree Colleges, Himachal Pradesh.
2. All the Deputy Directors of Hr. Education, Himachal Pradesh.
3. All the Principals, Govt. Sr. Sec. Schools/ Head Masters Govt. High Schools / Commander NCC Group Head quarter & all units/ Librarian C.S.L. Solan & all Distt. Libraries in H.P.

Subject: - Revision of rates of wages of daily wage workers and workers engaged on part time basis in Himachal Pradesh.

Sir/Madam,

Your attention is invited towards letter No.FIN-(PR)B(7)-33/2010 dated 20th February, 2019 received from Additional Chief Secretary(Finance) to the Govt. of HP addressed to the all the HODs, to the Govt. of Himachal Pradesh, Shimla-1, on the subject cited above (copy enclosed) to take for further necessary action in the matter accordingly.

Encls: As above

— *Sd* —
(Dr. Sonia Thakur, HAS)
Joint Director Hr. Education (Admn.)
Himachal Pradesh.

email:dhe-sml-hp@gov.in Phone:0177-2658052

Endst. No. Even Dated Shimla-171001, the _____

Copy to:-

1. The Addl. Chief Secretary (Finance) to the Govt. of HP Shimla-1 w.r.t. your letter No.FIN-(PR)B(7)-33/2010 dated 20th February, 2019 for information please.
2. All the Branch Officer / Superintendent, Directorate of Higher Education H.P. with the remarks that to take further necessary action in the matter accordingly.
3. The DDO /Supdt. Cash Cell, Directorate of Higher Education, HP Shimla-1.
- ✓ 4. **The Incharge Computer Cell, Dte. of Hr. Education, H.P with the remarks to upload the said orders on the deptt. Website.**
5. Guard File.

ps
Joint Director Hr. Education (Admn.)
Himachal Pradesh.

120198
03/4/19

No. FIN-(PR)B(7)-33/2010
Government of Himachal Pradesh
Finance (Pay Revision) Department.

From

Additional Chief Secretary (Finance) to the
Government of Himachal Pradesh.

To

1. All Administrative Secretaries to the Government of Himachal Pradesh.
2. All Heads of Departments in Himachal Pradesh.
3. All Divisional Commissioners/Deputy Commissioners in Himachal Pradesh.

Dated: Shimla-171002, the 26th February, 2019.

Subject :

Revision of rates of wages of daily wage workers and workers engaged on part time basis in Himachal Pradesh.

Sir/Madam,

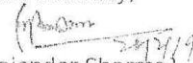
In partial modification of this Department's letter of even number dated: 16th April, 2018, on the subject cited above, I am directed to say that the rates of daily wages in respect of various categories of workers engaged on daily wages in Himachal Pradesh are revised w.e.f. 1st April, 2019, as shown in Annexure-"A".

2. The per hour rate of part-time workers is also revised from ₹ 28.25 per hour to ₹ 31.25 per hour w.e.f. 1st April, 2019.

3. All those engaged on daily wage basis/part-time basis in the Scheduled Tribal Areas of the State shall be allowed 25% enhancement on the revised daily wages as per Finance Department's Office Memorandum No. FIN (PR)B(7)-1/95-II dated 17.04.1998.

4. These rates will be applicable to all those working in various Government Departments. As far as the PSUs/Universities/ Autonomous Bodies /Boards etc. are concerned, these enhanced rates shall be applicable to them only if the managements of those PSUs/Universities/ Autonomous Bodies /Boards etc. take a decision in this regard, considering the availability of resources in their organization.

Yours faithfully,



{Rajender Sharma}
Under Secretary (Finance) to the
Government of Himachal Pradesh.

Continued Page ...2/-

S.A.G.N. Sharma ji
QA
03/04/2019

-2:-

Endst. No. As above. Dated: Shimla-171 002, the 20th February, 2019.

Copy forwarded to the following for information and necessary action:-

1. The Principal Accountant General (Audit), Himachal Pradesh, Shimla-3.
2. The Accountant General (A&E), H.P., Shimla-171 003.
3. The Registrar General, High Court of Himachal Pradesh, Shimla-1.
4. The Resident Commissioner, H.P. Himachal Bhawan, Sikandra Road, New Delhi-110 001.
5. The Secretary, H.P. Vidhan Sabha, Shimla-171004.
6. The Secretary, H.P. Public Service Commission, Nigam Vihar, Shimla-2.
7. The Secretary, H.P. Staff Selection Commission, Hamirpur.
8. The Resident Commissioner, Pangi, District Chamba, Himachal Pradesh.
9. All District Treasury Officers/ Treasury Officers in Himachal Pradesh.
10. All Sections of Finance Department, H.P. Secretariat.



{Rajender Sharma}
Under Secretary (Finance) to the
Government of Himachal Pradesh.

Praveen/Instructions: 2019

ANNEXURE-A

Sr. No.	Designation	REVISED PER DAY RATE EFFECTIVE FROM 1 ST APRIL, 2019. (In Rupees)
A.	1. Beldar (Mazdoor)/ Casual labourer.	250.00
	2. Mate.	
	3. Cook.	
	4. Mali.	
	5. T. Mate (Electrical).	
	6. Chowkidar.	
	7. Helper.	
	8. Sweeper.	
	9. Cleaner Sewerman.	
	10. Khalasi.	
	11. Electrical Beldar.	
	12. Bhisti.	
	13. Store Attendant.	
	14. Laboratory Attendant (Under Matric).	
	15. Pump Attendant.	
	16. Boat Man.	
	17. Process Server.	
	18. Whiter Washer.	
	19. Syce.	
	20. Peon.	
	21. Frash.	
	22. Chainman.	
	23. Unskilled Labourer.	
	24. Quarry Man.	
	25. Jumper Man.	
	26. Driller	
	27. Sprayman.	
	28. Assistant Saw Mill Operator.	
	29. Feller (Garani).	
	30. Logger Dresser (Pachani).	
	31. Climber (Looper)	
	32. Zoo Animal Attendant.	
	33. Fire Watcher	
	34. Grinder for Chips Flooring.	
	35. Calliperman.	
	36. Miscellaneous Labourer.	
	37. Charcoal Burning Labourer.	
	38. Pipe Lineman.	
	39. Survey Khalasi,	
	40. Bill Distributor.	
	41. Ferro Khalasi.	
	42. Water Guard.	
	43. Stone Dresser Keyman.	
	44. Assistant Fitter.	
	45. Valueman.	

(Signature)
20/11/19

	46	Library Attendant (Class-IV).	
	47	Luskar.	
	48	Gauge Reader.	
	49	Dhobi.	
	50	Dai.	
B.	51.	Upholster.	
	52.	Fireman.	
	53.	Pump Operator-cum-Helper.	
	54.	Plumber 2 nd Class.	
	55.	Field Assistant-cum- Operator	262.00
	56.	Carpenter (Grade-IV).	
C.	57.	Painter 2 nd Class.	
	58.	White Washer.	
	59.	Bar Binder.	
	60.	Sawyer (Charani).	
	61.	Muleteer.	265.00
D.	62.	Caneman	277.00
E.	63.	Security Guard	280.00
F.	64.	Telephone Attendant.	
	65.	Electrical Mistry	
	66.	Refrigerator Mechanic	
	67.	Fitter Grade-II	
	68.	Fitter Grade-I	
	69.	Turner	
	70.	Fitter Structural	
	71.	Black Smith	
	72.	Welder	
	73.	Mechanic	
	74.	Electrical Chargeman	
	75.	Pump Operator	
	76.	Sand Plant Operator	
	77.	Driver Oxygen Plant	
	79.	Hot Mix Plant Operator	
	80.	Plumber Grade-II	
	81.	Plumber Grade-I	
	82.	Mason Grade-II	
	83.	Mason Grade-III	
	84.	Painter Grade-I	
	85.	Blastman Grade-II	
	86.	Floor Finisher	
	87.	Pipe Fitter Grade-II	
	88.	Mortar Mate Grade-I	
	89.	Earth Work Mistry	
	90.	Work Inspector	
	91.	Ferry Inspector	
	92.	Store Munshi	
	93.	Forest Guard	
	94.	Receptionist	292.00

Handwritten signature and date
20/11/18

95.	Lab Assistant	
96.	Electrician-II	
97.	Electrician Auto	
98.	Air Compressor Operator	
99.	Operator	
100.	Carpenter Grade-III	
101.	Complaint Clerk	
102.	Assistant Operator	
103.	General Operator	
104.	Telephone Operator	
105.	Road Inspector	
106.	Work Supervisor	
107.	Store Clerk	
108.	Store Keeper	
109.	Water Works Clerk	
110.	Patwari	
111.	Cinema Projector Operator	
112.	Computer	
113.	Plumber	
114.	Data Entry Operator	
115.	Tailor	
116.	Clerk	
117.	Saw Mill Operator	
118.	Work Mistry	
119.	Wireman	
120.	Assistant Pump Operator	
121.	Price Store Ledger Clerk	
122.	Bill Clerk	
123.	Meter Reader	
124.	Assistant Store Keeper	
125.	Laboratory Technician	
126.	Instrument Mechanic	
127.	Fitter Mechanic	
128.	Loader Operator	
129.	Chargeman	
130.	Gatekeeper	
131.	Steno-typist	
132.	Library Assistant	
133.	Book Binder	
134.	Tabla Master	
135.	Dark Room Assistant	
136.	Library Attendant (Class-III)	
137.	Canal Inspector	
138.	Irrigation Booking Clerk	
139.	Complaint Attendant	
140.	Ferro Printer	
141.	Proof Reader	
142.	Photographer	
143.	Ledger Booking Clerk	
144.	Laboratory Attendants (Matriculate)	
145.	Conductor.	

292.00

M. M. M.
20/2/19

G.	146.	Driver (Tractor/Jeep/Car/Truck/ Buldozer/ Road Roller)	305.00
	147.	Driver Shawal	
	148.	Stone Chisler	
	149.	Carpenter 2 nd Class (Forest Department)	
	150.	Mason 2 nd Class (Forest Department)	
	151.	Painter 1st Class (Forest Department)	
	152.	Distemperer (Forest Department)	
	153.	Lineman	
H.	154.	Junior Draftsman (Tracers)	371.00
	155.	Junior Scale Steno	
	156.	Agriculture Extension Officer	
	157.	Ship Modeling Instructor	
	158.	Surveyor	
	159.	Electrician Grade-I	
	160.	Driller	
	161.	Assistant Driller	
	162.	Pipe Fitter Grade-I	
	163.	Mason Grade-IV	
	164.	Diesel Auto Mechanic	
	165.	Black Smith Grade-IV	
	166.	Carpenter Grade-II	
	167.	Junior Tailoring Mistress	
	168.	Mason 1 st Class (Forest Department)	
169.	Carpenter Grade-I		
170.	Assistant Chemist		
171.	Foreman		
172.	Assistant Foreman		
173.	Carpenter (1st Class) (Forest Department)		
I.	174.	Investigators	399.00
	175.	Auction Recorder	
	176.	Computer Operator	
J.	177.	Instructors	430.00
K.	178.	Junior Engineer	460.00
	179.	Draftsman	
	180.	Draftsman (Arch. Wing)	
	181.	Coach	
L.	182.	Hydro Geologist	520.00

(Signature)
20/11/19

PERFORMANCE BANK GUARANTEE

To:

General Manager,
Ropeways and Rapid Transport System
Development Corporation H.P. Limited
US Club, Shimla-171001.

WHERE AS _____ [name and address of Contractor] (hereinafter called "the Contractor") has undertaken, in pursuance of Contract No. _____ dated _____ to execute construction of Sheep Shed (240 sheep capacity) with associated structures in Ram Centre at Sheep Development Farm Nagwai Distt. Mandi (H.P.). (SH:- C/o Approach road, Sheep Shed, Chaff Shed, Shearing Shed, Grass Shed and site development etc.)

[name of Contract and brief description of Works] (hereinafter called "the Contract");

AND WHEREAS it has been stipulated by you in the said Contract that the Contractor shall furnish you with a Bank Guarantee by a recognized bank for the sum specified therein as security for compliance with his obligations in accordance with the Contract; AND WHEREAS we have agreed to give the Contractor such a Bank Guarantee;

NOW THEREFORE we hereby affirm that we are the Guarantor and responsible to you, on behalf of the Contractor, up to a total of _____ [amount of guarantee] ¹ _____ [in words], such sum being payable in Indian Rupees and we undertake to pay you, upon your first written demand and without cavil or argument, any sum or sums within the limits of _____ [amount of guarantee]¹ as aforesaid without your needing to prove or to show grounds or reasons for your demand for the sum specified therein.

We hereby waive the necessity of your demanding the said debt from the Contractor before presenting us with the demand.

We further agree that no change or addition to or other modification of the terms of the Contract or of the Works to be performed thereunder or of any of the Contract documents which may be made between you and the Contractor shall in any way release us from any liability under this guarantee, and we hereby waive notice of any such change, addition or modification.

This guarantee shall be valid until (i.e.) 45 days from the date of expiry of the Defects Liability Period (Refer clause 17 & clause 35 for asphaltic works) .

Signature and seal of the guarantor _____

Name of Bank _____

Address _____

Date _____

1 An amount shall be inserted by the Guarantor, representing the percentage of the Contract Price specified in the Contract and denominated in Indian Rupees.

PERFORMANCE GUARANTEE TO BE EXECUTED BY CONTRACTORS FOR REMOVAL OF DEFECTS

This agreement made this _____ day of _____ one thousand nine hundred and _____ between _____ son of _____

hereinafter called the Guarantor on the one part) and the Governor of H.P. (hereinafter called the Government of H.P. on the other party).

WHEREAS THIS AGREEMENT is supplementary to a contract (hereinafter called the contract) dated _____ and made between the GUARANTOR OF THE ONE part and the GOVERNMENT on the other part whereby the contractor inter alia undertook to render the buildings and structures in the said contract recited completely water and leak proof. AND WHEREAS THE GUARANTEE agreed to give a guarantee to effect that the said structure, will remain water and leak proof, for five years from the date of giving of water proofing treatment.

NOW THE GUARANTOR hereby guarantees that water proofing treatment given by him will tender the structures completely leak-proof and the minimum life of such water proofing treatment shall be ten years to be reckoned from the date after the maintenance prescribed in the contract. Provided that the guarantor will not be responsible for leakage caused by earthquake or structural defects or misuse of roof or alteration and or such purpose :

(a) Misuse of roof shall mean any operation which will damage water proofing treatment, like chopping of fire

wood and things of the same nature which might cause damage to the roof.

(b) Alteration shall mean construction of an additional storey or a part of the roof or construction adjoining to existing roof whereby water proofing treatment is removed in part.

(c) The decision of the Engineer-in-Charge with regard to cause of leakage shall be final. During this period of guarantee the guarantor shall make good all defects and in case of any defect being found, tender the building water roof to the satisfaction of the Engineer-in-Charge at his cost and shall commence the work for such rectification within seven days from the date of issue of the notice from the Engineer-in-Charge calling upon him to rectify the defects failing which the work shall be got done by the department by some other contractor at the GUARANTOR's cost and risk. The decision of the Engineer-in-Charge as to the cost, payable by the Guarantor shall be final and binding. That if Guarantor fails to execute the water proofing or commits breach thereunder then the Guarantor will indemnify the Principal and his successors against all loss, damage, cost expense or otherwise which may be incurred by him by reason of any default on the part of the GUARANTOR in performance and observance of this supplementary agreement. As to the amount of loss and damage and/or cost incurred by the government on the decision of the Engineer-in-Charge will be final and binding on the parties.

IN WITNESS WHEREOF these presents have been executed by the obligor _____ and by _____

_____ and for and on behalf of the Governor of H.P. on the day, month and year first above written.

Signed, Sealed and Delivered by OBLIGOR in the presence of

1. _____

2. _____

SIGNED FOR AN ON BEHALF OF THE Governor of Himachal Pradesh in the presence of

1. _____

2. _____

Contractor General Manager

Form-8, E-Tendering, Schedule –F, S.No. 6.19

Detail of Machinery

Upgradation of Roads

Kms	HMP	Paver/Finisher	Tipper	Tar Boiler with Sprayer	Mixer	Vibrator	Road Roller	Air compressor
Upto 10 kms	3 TPH or above	Nil	1	1	1	1	1	1
More than 10 kms upto 20 kms	10 TPH or above	Nil	2	1	2	2	2	1
More than 20 kms	30 TPH or above	1	4	2	3	3	2	1

New Roads

Kms	Tipper	Excavator		Mixer	Vibrator	Air compressor	Road Roller
		Front end loader with backhoe	Or Showel (min.1 cum bucket)				
Upto 10 kms	1	1	1	1	1	2	1
More than 10 kms upto 20 kms	2	2	1	2	2	3	1
More than 20 kms	4	3	2	3	3	4	1

Periodic Maintenance

Kms	HMP	Paver/Finisher	Tipper	Tar Boiler with Sprayer	Mixer	Vibrator	Road Roller	Air Compressor
Upto 3 kms	3 TPH or above	Nil		1				
More than 3 kms upto 20 kms	10 TPH or above	Nil	2	1	2	2	2	1
More than 20 kms	30 TPH or above	1	4	2	3	3	2	1

Buildings

Contract Amount	Hoist	Tipper	Shuttering	Mixer	Vibrator
Upto Rs 30 lacs	---	--	50 sqm	1	1
Costing Rs 30 lacs to Rs 1 crore	---	1	200 sqm	2	2
Costing more than Rs 1 crore	1	2	300 sqm	2	3

(Sr No 6.14 Refer clause no 10A)

(i) List of Equipments for Buildings

Sr No	List of Equipments for quality Control	Building up to Rs 30.00 lacs	Building up to Rs 30.00 lacs to 100.00 lacs	Building above Rs 100.00
1.	Aggregates Gradation & strength	--		
	a. Sieve set for Course & Fine aggregate s	-1 No set	-1 No set	-1 No set
	b. Impact test Apparatus	--	-1 No set	-1 No set
2.	Slump test apparatus for workability of concrete	-1 No set	-1 No set	-1 No set
3.	150mmx150mm150mm test cubes moulds	3 No	6 No	12 No
4.	Weighing machine	1 No	1 No	1 No
5.	Cube Testing machine	--	--	1 No

Note:

(a) For works costing more than Rs 100 lacs the bidder shall set up field test lab with above mentioned equipments with in fifteen days of award letter. In case this is not provided at site Rs. 25000/- shall be withheld from his bills and shall be released only after necessary equipments are provided by the contractor. During that period the test shall be got conducted in the deptt.lab and the expenditure shall be deducted from the contractors bill. No compliance of this provision shall entail forfeiture of the with held amount of Rs 25000/-.

(b) For works below Rs 100.00 lacs the quality tests shall be conducted in the deptt labs and expenditure incurred shall be deducted from the contractors bill.

(Sr No 6.14 Refer clause no 10A)

LIST OF LABORATORY EQUIPMENTS FOR ROAD WORKS ABOVE Rs 100.00 lacs			
S.No.	Laboratory Equipment Required	Quantity Required for New connectivity Roads	Quantity required for M/T of Roads
1	Post Hole Auger with Extensions	One set	
2	Digging tools like pickaxe, shovel, etc	One set	
3	IS Sieves Nos. with lid and pan (90mm, 80mm, 63mm, 53mm, 45mm, 27.5mm, 26.5mm, 19mm, 13.2mm, 11.2mm, 9.5mm, 37.5mm, 2.8mm, 5.6mm, 3.35mm, 2.36mm, 600 micron, 425 micron, 300 micron, 150 micron, 180 micron, 90 micron and 75 micron 42)	One set	One set
4	Standard Proctor Density Test Apparatus with rammer	One set	
5	Sand Pouring Cylinder with tray complete for field density	One set	
6	Core Cutter (10cm dia), 10cm/15cm height complete with dolly and hammer	One set	
7	Speedy moisture meter complete with chemicals	One set	
8	Straight Edges	Two no	
9	Digital Thermometers		Three No
10	Liquid Limit and plastic limit testing apparatus complete with One set water bottle and glass wares	One set	
11	Gas burner, sand bath	One set	
12	Camber Board	Two set	
13	Electronic/digital balance 1 kg with the least count of 0.01 gm	One no.	One set
14	Electronic/digital balance 5 Kg	One no.	One set
15	Pan balance with weight Box, 5 Kg	One set	One set
16	Oven (ambient to 200°C)	One no.	
17	Water bath (ambient to 100°C)	One set	
18	Bitumen extraction apparatus		One set
19	Penetration apparatus (Bitumen)		One set
20	Enamelled tray		One set
21	Measuring tps, spatula, glassware, porcelain dish, pestle mortar	One set	
22	Trays for measurement of tack coat quantity		Three No
23	Slump cone	Two No	
24	Aggregate Impact Value Apparatus	One Set	
25	Cube Mould (150X150X150) mm	Six No.	
26	Water Absorption test Apparatus	One Set	
27	Thickness Gauge	One No.	

Note:

(a) For works costing more than Rs 100 lacs the bidder shall set up field test lab with above mentioned equipments within fifteen days of award letter. In case this is not provided at site Rs. 25000/- shall be withheld from his bills and shall be released only after necessary equipments are provided by the contractor. During that period the test shall be got conducted in the deptt.lab and the expenditure shall be

deducted from the contractors bill. No compliance of this provision shall entail forfeiture of the withheld amount of Rs 25000/-.

(b) In case where new connectivity or widening is being done with M/T, then all equipments shall be required.

(c) For works below Rs 100.00 lacs the quality tests shall be conducted in the deptt labs and expenditure incurred shall be deducted from the contractors bill.

(Form 8, E- tendering, Scheduled-F, Sr. No. 6.14 Refer clause No. 10-A)

(ii) LIST OF PREFERRED MAKES FOR MATERIAL FOR CIVIL / SANITARY WORKS

Sl. No.	Material	Preferred make
CIVIL ITEMS		
1.	(i) Ordinary Portland/Portland Pozzolona Cement (Grey) (43Grade)	ACC, L&T, Gujarat Ambuja, Vikram,Birla, JK Cement, JP Rewa., Shree, J.K. Lakshmi, M/sBinani Cement.
	(ii) White Cement	Birla White / J. K. White
2.	Reinforcement Steel	SAIL, TISCO./Rashtrij Ispat Nigam Ltd.
3.	Veneered Particle Board	Novapan, Kitply, Anchor, National, Archidply, Action Tesa, Green.
4.	Laminated Particle Board	Novapan, Kitply, National, Archidply, Action Tesa, Green.
5.	Commercial Board, Ply wood, Veneered ply.	Novapan, Kitply, National, Archidply, Action Tesa, Green.
6.	Flush door shutters	Kutty Flushdoor, Kitply Industries (Swastik) Jawala, Samrat Laminate Pvt. Ltd. (Samrat) CNC Commercial Ltd.(Shivalik), SR Jindal Ply Wood Industries (Prima),

7.	Steel Windows/Pressed Steel frames	San Harvic, Steelman Industries, PD Industries, Metal Windows, Chandni Industries, Ganpati Udyog (Rajpura).
8.	Water Proofing Compound	Fosroc, Cico, Pidilite. Impermo by M/S.Snowcem, Sika
9.	M.S. Pipe	Tata, Jindal (Hisar), Parkash Steel Tubes, Bhushan Industries.
10.	PVC Pipe & Fittings	Supreme, AKG, Finolex, Prince, Kisan, SFMC, Diplast.
11.	Acrylic Distemper	Nerolac , Berger (Bison Acrylic) Asian Paints (Tractor, Acrylic), Shalimar.
12.	Dry Distemper	Berger (Castle), JENSON & NICHOLSON (J&N), Golden,Paints Aqualac.
13.	Synthetic Enamel Paint	ICI (Dulux Gloss), Nerolac, Berger (Luxol High Gloss), Asian Paints (Premium Apcolite Gloss), Shalimar.
14.	Steel Primer	ICI, Nerolac, Berger, Asian Paints, Shalimar.
15.	Wood Primer	ICI, Nerolac, Berger, Asian Paints, Shalimar.
16.	Mosaic tiles/Chequed tiles	NITCO, Modern, NTC,GICO
17.	Ceramic/glazed Tiles	Kajaria, NITCO, Somany, Orient, RAK, Johnson & Johnson
18.	Vetrified Tiles	Kajaria, NITCO, Somany, Orient, RAK, Johnson & Johnson
19.	Dash / Anchoring Fasteners	HILTI / Fischer
20.	Nuts / Bolts & Screws	GKW, Atul
21.	Stainless Steel Sink (Out of Salem,	AMC, UNIK, DIAMOND
22.	Glass Mosaic Tiles	ITALIA, OPIO, NTC, GICO
23.	Aluminium Sections	Hindalco, Jindal, Indian Aluminium CO
24.	Grouting Compound	Endura, Pidilite, Laticrete.
25.	Glass panes (Float Glass)	Modi Float, Saint Gobind, Aashai
26.	Admixtures	Fosroc, MBT, Sika, CICO, Asian
27.	Ready Made Concrete (RMC)	M/s L&T Concrete, Associate Concrete, J.K.Lakshmi Ultra Teck or having Plant of Minimum capacity of 60 cum/ and turn over should be minimum Rs. One Crore per month or 4000 cum/ month from last one year up to Proceeding month of opening of tender.
28.	PVC flooring (Designer)	L.G.
29.	PVC flooring (monolithic)	Wonderfloor, Royal House, Tusker
30.	PVC flooring (antistatic)	Wonderfloor, Royal House
31.	HDF flooring	Krono (original), Action Tesa, Armstrong, Euro.

32.	Pre-painted roofing sheets (Corrugated/Plain)	TATA Durashine
33.	C.G.I./P.G.I. sheets	TATA
34.	Polycarbonate sheets.	Lexun, Duratuff.
35.	Explosives	From authorised dealer. The contractor is responsible to fulfil all codal formalities for obtaining licence for explosive and magazine etc.
36.	Bitumen products i.e. Bitumen, Emulsion etc.	Manufactured or in collaboration in with IOC, HPCL, BP.
PUBLIC HEALTH ITEMS		
1.	Float Valve	IVC, Leader, Prayag.
2.	Vitreous China Sanitary Ware	Parryware, Hindware Sanitaryware, Neycer, Cera.
3.	Plastic seat cover of W.C	Commander, Diplomat, Hindware, Admiral, Cera
4.	PVC Flushing cistern	Commander, Coral, Hindware (Slimline), Hindustan, Cera
5.	CP Fittings/Mixer Pillar taps Washers, Crabtree, NOVA EXCEL	Kingston, Gem, Parko, Techno, JAL, ESS ESS. JAQUAR, Seiko.
6.	CP Accessories	Kingston, Gem, Parko, Techno, JAL, ESS ESS. JAQUAR, Seiko.
7.	Centrifugally Cast (spun) Iron Pipes	NECO, M/s Anand Founders & Engineers, or any other & fittings B.I.S marked product.
8.	Centrifugally Cast (spun) Iron Pipes	Eleecto Steel, Kesoram. (Class LA).
9.	G.I. Pipes	B.S.T., Jindal (Hissar), Tata Steel Tubes Ltd., Prakash Surva
10.	G.I. Fittings	Unik, KS, AMCO, AVR, NVR, RR, SUW
11.	Gun metal Valves	Leader, Zoloto, Kilburn, CIM, Valves, Sant
12.	Brass stop & Bib Cock	Zoloto, Sant, L&K, Leader.
13.	Stoneware pipes & Gully traps	Prefect, Hind or ISI marked S.W. Pipes.
14.	Mirror Glass	Atul, Modi Guard, Golden Fish
15.	Glazed Fire Clay Kitchen Sink	PAMINI, SANFIRE, RKCP.
16.	Stainless Steel Sink (304 grade 5.5)	AMC, UNIK, DIAMOND, Neelkanth.
17.	Pumps	Serex, Kirloskar, Worthington, Crompton
18.	Pressure Gauge	Febic, H.Guru.
19.	Sluice Valve/ Non return valve	Zoloto, BIR, Leader, Kartar
20.	Electric Cables (Submersible)	Finolex, Havells
21.	Main Switch	Havells, Standard, Crompton
22.	MCCB/ELCCB/Shut-Cabacter	L&T, ABB, Siemens, GE, Havells
23.	Metering Equipments	AE/L&T/BCH

24.	On-Off Sleetor	L&T/BCH.
25.	PTMT Bath fittings	Prayag
26.	PTMT Bath Accessories	Prayag, Viking
27.	PVC- Al. Composite pipe	Kitech
28.	PVC pipe and accessories	Finolex

(as per approval of Govt. vide letter No. PBW(B)C(17)2/2012 dated 07/08/2018)

FINAL INSPECTION CERTIFICATE

“That I, Sh. _____ Chief General Manager, RTDC

_____, have inspected on dated _____

The
work _____,

costing Rs. _____, awarded to Sh. _____
for

Rs. _____ vide General Manager letter No. _____

dated _____ Agreement No. _____, having stipulated

date of completion as _____, and observed that the said work has been broadly completed/ nearing completion as per the provision of DPR/Contract (except some variations/ changes which were just and necessary to secure proper completion of work) and the quantity of the work is good / satisfactory. No items of the work have been unfairly/unnecessarily exceeded /reduced /added /deleted and approve for accepting completion of work and finalization of the bill.

Chief General Manager
RTDC

Schedule of Quantity (BOQ)

Name of Work: Construction of Sheep Shed(240 Sheep Capacity) with associated structures in Ram Centre at Sheep Development Farm Nagwain Distt. Mandi (H.P.) (SH: C/o Approach Road, Sheep Shed, Chaff Shed, Shearing Shed and Grass Shed including Site Development.)	Estimated Cost(in Rs)	1,12,36,231.00
	Earnest Money(in Rs)	1,50,000.00
	Time Period	Six month

Name of the bidder/bidding firm :-

Price schedule

Sr.	Detail of item(s)	Total Qty	Unit	Rate in INR		Amount
				In Word	In Figure	
1	Cutting in earth Work and disposal of excavated earth upto a lead of 20(twenty) Mtres Spade Work, Pick Work and Jumper Work as per the direction and entire statistaction of Engineer-in-Charge.	515.00	Cum			
2	Excavation in foundations, trenches etc., in earth work, lift upto 1.50(One Point Fifty) Metres stacking the eacavated soil not more than 3 (Three)metres clear from the edge of the excavation and then returning the stacked soil in 15 (Fifteen) cm. layers, when required in to plinths sides of foundations etc., consolidating each deposited layer by ramming and watering and then disposing of all surplus excavated earth as directed with in a lead of 20 (Twenty) metres. in spade, pick and Jumper work as per the direction and entire statistaction of Engineer-in-Charge.	335.50	Cum			
3	Providing and laying cement concrete 1:4:8 (one cement: four sand : Eight graded stone aggregate 40(Fourty) mm nominal size) and curing complete excluding cost of centring and shuttering including all leads and lifts as per the direction and entire statistaction of Engineer-in-Charge.	26.86	Cum			
4	Random Rubble Masonary/ polygonal rubble Masonary (Uncoursed / Brought to Courses) with hard stone of approved quality in foundation and plinths including leveling up with cement concrete 1:6:12(One Cement: Six sand: Twelve Grade aggregate fourty mm nominal size) in cement mortat 1:6(One:Six) in B/wall and Retaining walls as per the direction and entire statistaction of Engineer-in-Charge.	150.92	Cum			
5	Providing form work with steel plates 3.15mm(Three Point Fifteen mm).thick welded with angle iron in frame 30x30x5mm.(Thirty * Thirty*5mm) so as to give a fair finish including centring, shuutering, strutting and propping etc. with wooden battens and ballies, height of propping and centring below supporting floor to ceiling not exceeding 4 Mtrs.(Four) and removal of the same for insitu-reinforced concrete & plain concrete work in as per the direction and entire statistaction of Engineer-in-Charge.					
5(a)	Foundation, Footing basis of column etc and mass concrete	113.40	Sqm			
5(b)	Flat Surfaces such as soffits of suspended floors, roofs,landing and the floors etc upto 200mm(Two Hundred mm) in thickness	28.29	Sqm			
5(c)	Columns, pillars, posts and struts	64.00	Sqm			
5(d)	In Beams, cantilever, girders and lintels	278.31	Sqm			
6	Providing and laying cement concrete 1:3:6(1cement :3 sand :6 graded stone aggregate 40mm. Nominal size) and curing complete excluding cost of form work in foundation and plinths under floor as per the direction and entire statistaction of Engineer-in-Charge.	119.69	Cum			
7	Stone Soiling behind floors and Walls: as per the direction and entire statistaction of Engineer-in-Charge.	119.83	Cum			

8	Providing and laying reinforced cement concrete RCC grade M20 (twenty) and curing complete excluding cost of form work and reinforcement for reinforced concrete work in as per the direction and entire statistaction of Engineer-in-Charge.				
8(a)	Foundation footing base of columns and the like mass concrete.	42.53	Cum		
8(b)	Columns, pillars, posts and stunts upto floor two level	5.78	Cum		
8(c)	Suspended floor foofs,landings and shelves and their supports, balconies, beams, griders, bressumers and cantilivers upto floor two level	2.83	cum		
8(d)	Lintels, beams griders bressumers and cantilevers upto floor two level	26.04	cum		
9	Providing mild steel/Tor steel reinforcement for R.C.C work including bending, binding and placing in position complete upto floor two level as per the direction and entire statistaction of Engineer-in-Charge.	7545.00	Kg		
10	40 mm thick Cement Concrete flooring 1:2:4 (1 Cement 2 Sand and 4 graded stome aggregate 20mm nominal Size) laid in one layer finished with floating coat of neat cementas per the direction and entire statistaction of Engineer-in-Charge.	797.94	Sqm		
11	Providing and Laying Plastic slated flooring using unbreakable Plastic 16mm groove size using 60x60 panel 350 kg(Three Fifty kg) Load bearing capacity per panel as per the direction and entire statistaction of Engineer-in-Charge.	575.13	Sqm		
12	Providing and fixing 0.60mm(Zero Point Sixty mm) thick preapainted steel sheet in roofing with hot dipped metallic zinc coated sheet with top coat of regular miodified polyster (RNP) organic coating of 20 microns(Twenty) over 5 microns(Five) primer coating to back coat of polyster of 5 microns(Five) over 5 microns(Five) primer coating i/c fixing with preapainted iron J or L hooks, bolts and nuts 6mm dia metre with preapainted limpet and rubber washers complete with all accesoriees as required as per the direction and entire statistaction of Engineer-in-Charge.as per the direction and entire statistaction of Engineer-in-Charge	349.20	Sqm		
13	Providing and fixing ridges or hips 60 cm(Sixty cm) overall with 0.60mm(Zero Point Sixty mm) thick preapainted steel sheets in roofing with hot dipped metallic zinc coated sheets with top coat of regular modified polyster organic coating of 20 microns(Twenty) over 5 microns(Five) primer coating + back coat of polyster of 5 microns(Five) over 5 microns(Five) primer coating i/c fixing with preapainted iron J or L hooks, bolts & nuts 6mm(Six mm) dia & preapainted G.I. limpet and bitumen washers complete with all accessories as required as per the direction of Engineer in Charge.	17.00	Rmt		
14	Providing and Fixing of continuous line Polyurethane Foam Sandwiched between Pre painted 0.5mm thick Galvanised Steel Sheets with panel thickness of 50mm short Rib configuration for extra strength with off white colour. The panel type will be tongue and groove with density of 40+-2Kg/cum(Fourty +-Two kg) and blowing agent as Cyclopentane. The panels are unique tongue -n-groove joinery for air tight, effective panel to panel interlocking that is easy to install and provide effective sealing. High quality silicone sealant of white color will be applied thoroughly at each and every part of the structure in order to make it leakage proof and properly sealed as per the direction and entire statistaction of Engineer-in-Charge	678.00	Sqm		

2

15	Providing and Fixing of continuous line Polyurethane Foam Sandwiched between Pre painted 0.5mm(Zero Point Five mm) thick Galvanised Steel Sheets with panel thickness of 30/70mm(Thirty/Seventy mm) max upto Rib Tapered Trapezoidal Profiled roof to prevent the structure from rain water with in built features likes Boxes edges, which prevent the rain water from free falling and helps drive the panel type will come with desity of 40+-2Kg/cum(Fourty+-Two kg) and blowing agent as Cyclopentane. Fixing of 'L' and 'U' shaped pre painted Flashing of size (35x35mm)(Thirty five *Thirty Five mm),(35x35mm),(Thirty five *Thirty Five mm) as and if required for covering each and every corner complete with riveting done with pneumatic reveting machine.	703.50				
16	Sliding windows/ventilator made up of 1.00 mm(One mm) thick GPSP sheets with Powder coated finish includign all required hardware in Aluminum like Door Handle, tower Bolts with 5mm thick float glass and with aluminum grill window/ventilator window size 600x600mm(Six Hundred x Six Hundred) as per the direction and entire statistaction of Engineer-in-Charge.	20.00	Nos			
17	Steel work welded in built up sections, trusses and framed work including cutting hoisting fixing in position and applying a priming coat of red lead paint using hollow section as per the direction and entire statistaction of Engineer-in-Charge.					
17(a)	In grating framed guard bars, ladders, railing , brackets and similar works using RHS and SHS	209.19	Qtl			
17(b)	In trusses and Trussed purlins in building	343.02	Qtl			
18	Applying priming coat over new steel and other metal surfaces after & including preparating the surface throughly cleaning oil grease dirt and other foreign matter and scoured with wiwre brushes fine steel wool scrapers and sand paper complete with ready mixed priming paint brushing red lead, Red oxide/zinc oxide chrome as per the direction and entire statistaction of Engineer-in-Charge.	754.71	Sqm			
19	Spray painting two coats (excuding priming coat) on new steel surfaces with enamel paints spraying togive an even shade including cleaning the surfaces of all dirt, dust and foreign matter with enamel paint other than white as as per the direction and entire statistaction of Engineer-in-Charge.	754.71	Sqm			
20	Providing and fixing of water trough drinking bowls for sheep using automatic float valves as per drawing and specifaions as per the direction and entire statistaction of Engineer-in-Charge.	24.00	Nos			
21	Providing and fixing to wall ceiling and floor galvanised mild steel tubes medium grade tube fitting and clamps including making good the wall ceiling and floor including carriage of materials with in all leads and lifts as per the direction and entire statistaction of Engineer-in-Charge.					
21(a)	GI pipe 15mm(Fifteen mm) bore	50.00	Rmt			
21(b)	GI pipe 20 mm(Twenty mm) bore	50.00	Rmt			

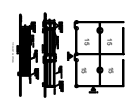
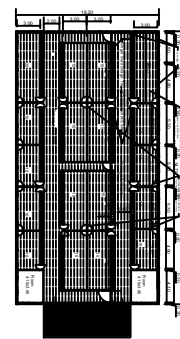
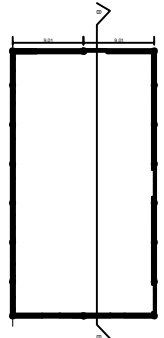
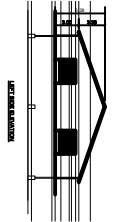
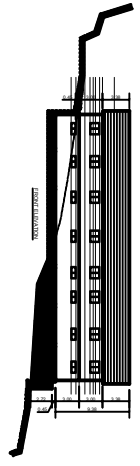
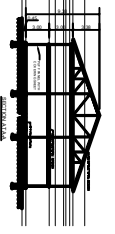
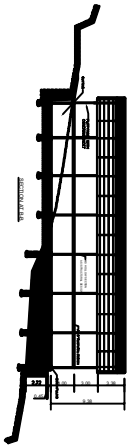


22	Making connection of galvanised mild steel distribution branch with galvanised mild steel main 20mm(Twenty mm) nominal bore by providing and fixing tees including cutting threading the pipe complete including carriage of materials in all leads and lifts as directed by the Engineer-in-charge.	1.00	Nos		
23	Providing and fixing pvc storage tank complete with 40mm(Fourty mm) nominal bore galvanised mild steel tube with fitting 25mm nominal(Twenty Five mm nominal) bore galvanised steel over flow tube with fitting and mosquito proof coupling of approved municipal design 15mm nominal(Fifteen mm nominal) bore ball valve and mosquito proof galvaged mild steel cover with looking upto a height of 10metres above ground level. Pvc water storage tank 1000 litre	2.00	Nos		
24	Providing and fixing oxidized M.S. Sliding Bolt (arrel type) with necessary screws etc. complete 300x16mm(Three Hundred * Sixteen mm) as per the direction and entire statistaction of Engineer-in-Charge.	12.00	Nos		
25	Providing and fixing oxidized M.S. Tower bolts (arrel type) with necessary screws etc. complete 250x10mm(Two Hundred Fifty * Ten mm) as per the direction and entire statistaction of Engineer-in-Charge.	16.00	Nos		
26	Providing and fixing oxidized M.S. handles with the necessary screws etc complete as per the direction and entire statistaction of Engineer-in-Charge.				
26(a)	125mm	16.00	Nos		
26(b)	75mm	36.00	Nos		
27	Supplying and fixing glazing with glass panes of 5.50mm(Five Point fifty mm) thickness (weight not less than 13.75kg/sqm),(Thirteen Point Seventy Five kg/sqm) with putty and nails thick as per the direction and entire statistaction of Engineer-in-Charge.	12.96	Sqm		
28	Providing plinth protection 50mm thick in cement concrete 1:3:6 (1Cement 3Sand 6Graded stone aggregated 20mm nominal size) as per the direction and entire statistaction of Engineer-in-Charge.	151.65			
29	Constructing course rubble hammer dressed "U" shape open surface drain with side wall. 15x22cm(Fifteen * Twenty Two cm) in cment mortat 1:6 (1Cement 6 Sand) and inside plastering with cemnt plaster 1:3(1Cement 3 Sand) including earth work and laying 10cm(Ten cm) cment concrete in 1:5:10(One Cement Five Sand ten graded stone aggregate 40mm nominal size) and 7.5Cm(Seven Point Five cm) cment concrete 1:2:4(One cement:two sand: four graded aggregate nominal size) and finished with floating coat of neat cment complete as per stanard design as per the direction and entire statistaction of Engineer-in-Charge.	202.20	Rmt		
30	Excavation for Structures :-Earthwork in excavation for structure as per drawing and technical specification clause 305.1(Three Hundred and Five Point one) including setting out. Construction of shoring and bracing, removal of stumps and other deleterious material and disposal upto a lead of 50 m(Fifty m), dressing of sides and bottom and backfilling in trenches with excavated suitable material. n ordinary Soil upto 3mtr as per the direction and entire statistaction of Engineer-in-Charge.	304.50	Cum		

31	Preparation of sub grade by dressing to camber (Earth work for the cutting involved for sub-grade to be paid for separately depending upon the classification of soil completed as per HP. PWD specifications as per the direction and entire statistaction of Engineer-in-Charge.	630.00	Sqm			
32	Consolidation of sub grade with road roller including making good the undulation etc.with earth or quarry soil etc. and rerolling the sub-grade completeed as per HP.PWD specifications.	750.00	Sqm			
33	Stone soling properly hand-packed filling interstices with spalls and sonsolidation with power road roller to the requested gradient and camber including spreading watering and rolling of binding materials moorum or earth etc. complete as per HP.PWD specifications. 150 mm(One hundred fifty mm) spread thickness (finished work including materials and labour) as per the direction and entire statistaction of Engineer-in-Charge.	112.50	Cum			
34	Providing concrete for plain/reinforced concrete in open foundations complete as per drawings and technical specifications clause 802,803,1202 & 1203(Clause Eight zero two, eight zero three,tweleve hundred two, twelve hundred three) (. P.C.C graded M 20)(M Twenty) as per the direction and entire statistaction of Engineer-in-Charge.	195.00	Cum			
35	Providing and laying pre painted heavy duty precast cement concrete inter lockingpaver blocks vibro compacted upto M 50 GRADE(Fifty graded) i/c border or kurb block grey or coloured over sub-base of concrete with 25mm(Twenty five mm) thick average thickness of cement mortar 1:4 (1 cement : 4 sand) laid over and jointed with neat cement slurry mixed with pigment to match the shade of block i/c curing rubbing & polishing complete (sub base concrete floor to be paid separately) as per the direction and entire statistaction of Engineer-in-Charge.					
35(a)	40mm(Fourty mm) thick block	180.00	Sqm			
35(b)	60mm(Sixty mm) thick inter locking blocks	750.00	Sqm			
	Total					

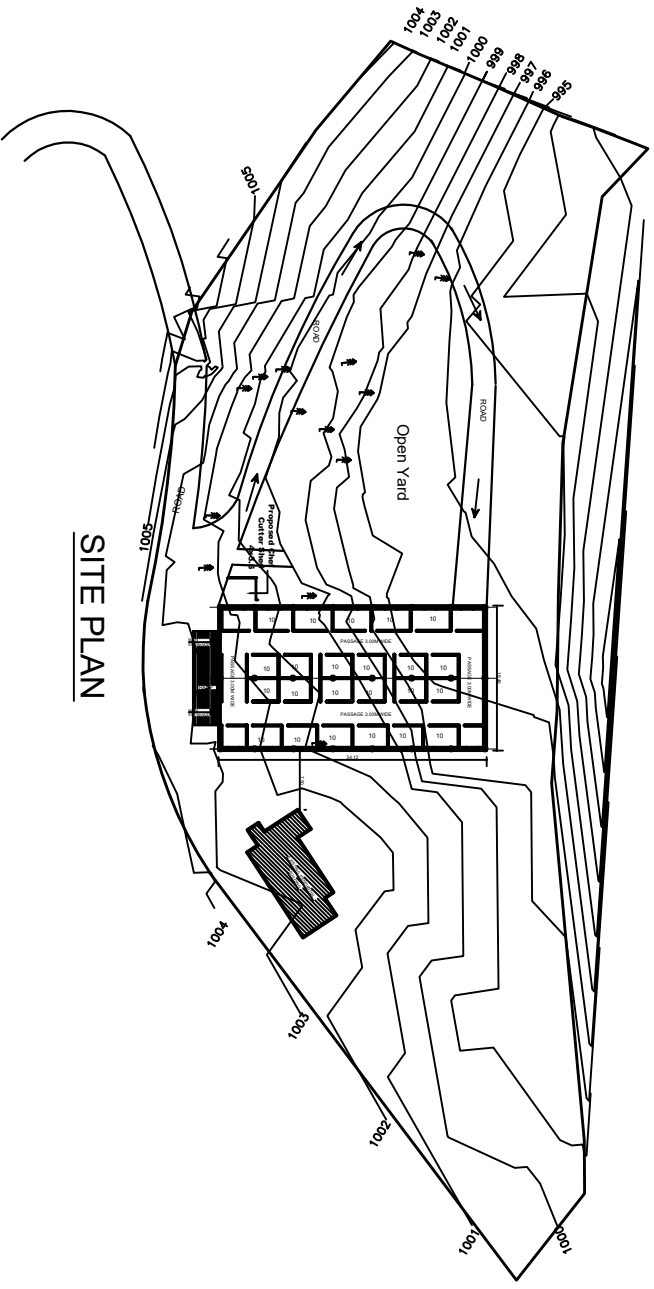

**General Manager,
 Ropeway & Rapid Transport System
 Development Corporation, Shimla**

SHEEP SHED AT NAGWAIN DISTRICT MANDI (H.P.)

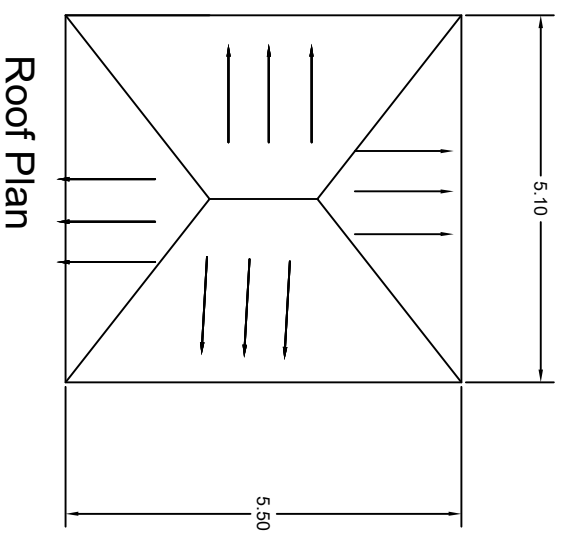
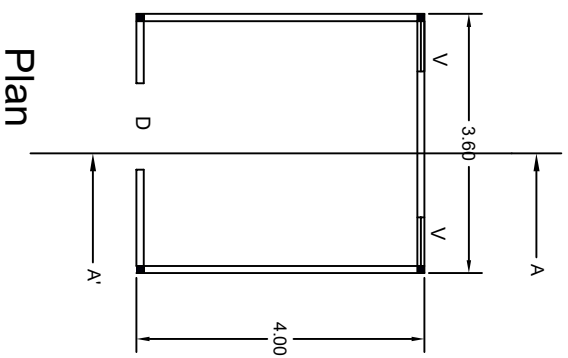
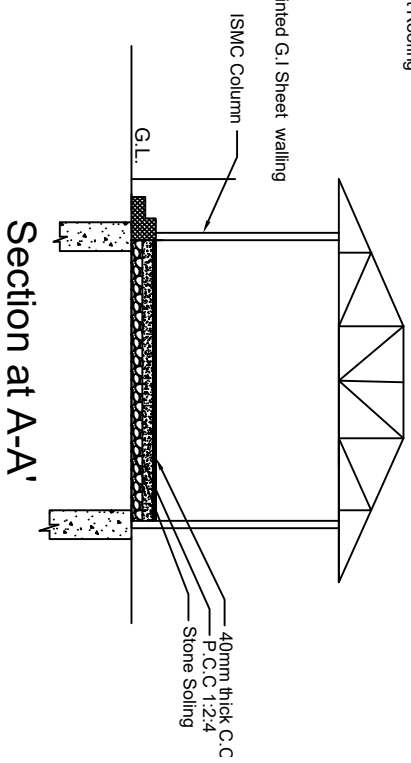
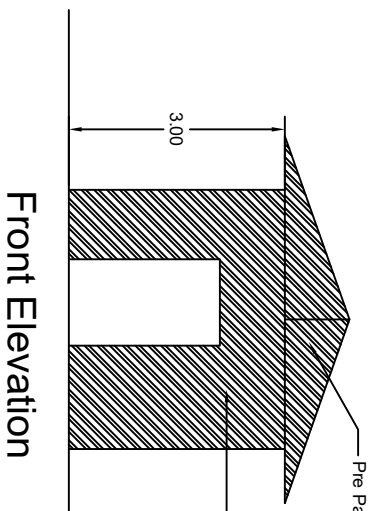


GROUND FLOOR PLAN

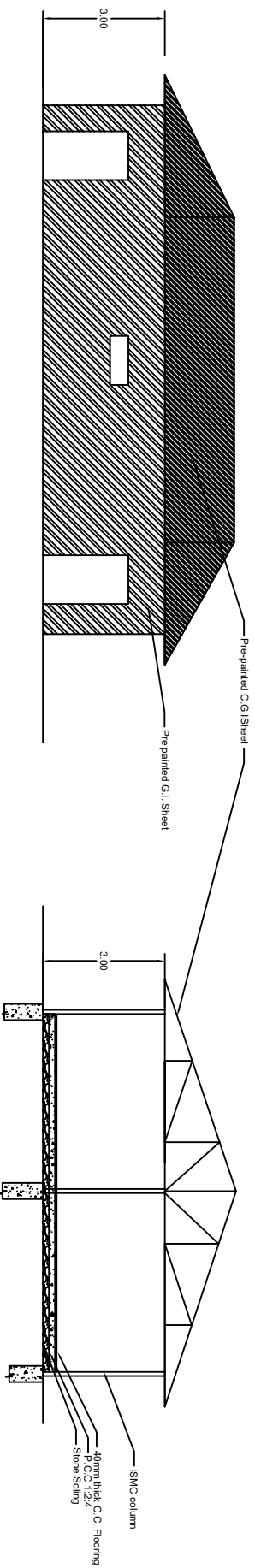
SITE PLAN



LINE PLAN OF CHAFF SHED

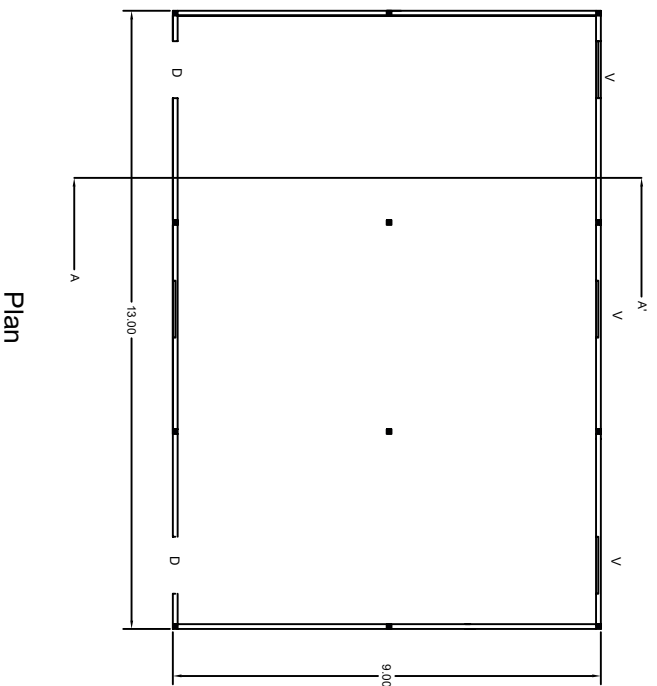


LINE PLAN OF GRASS SHED

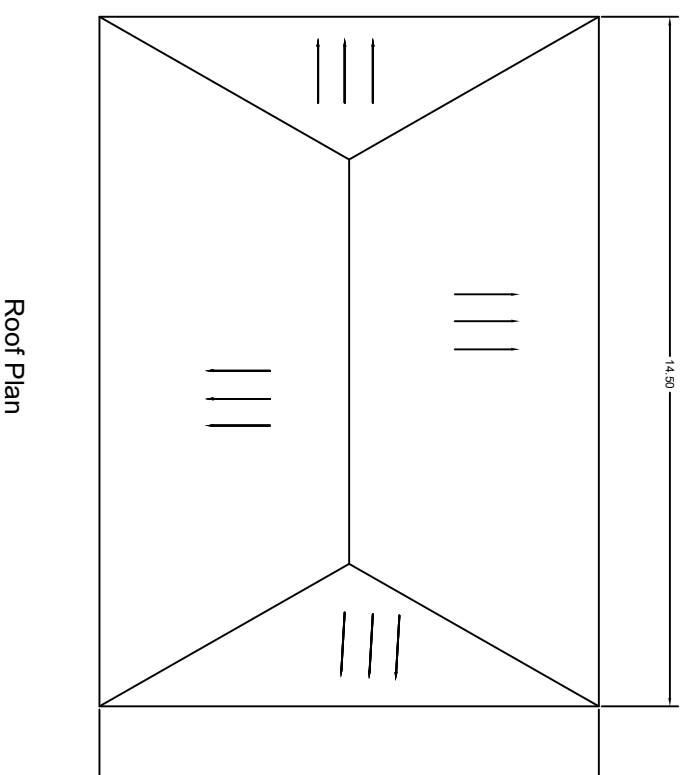


Front Elevation

Section at A-A'

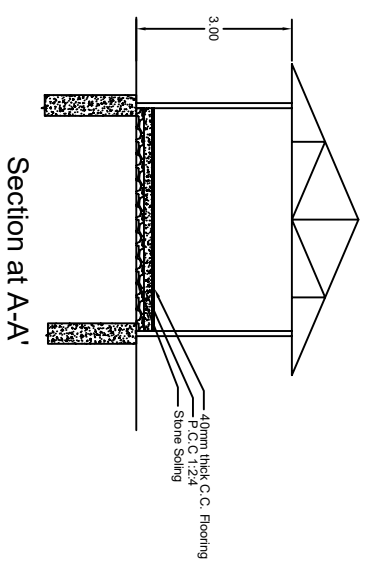
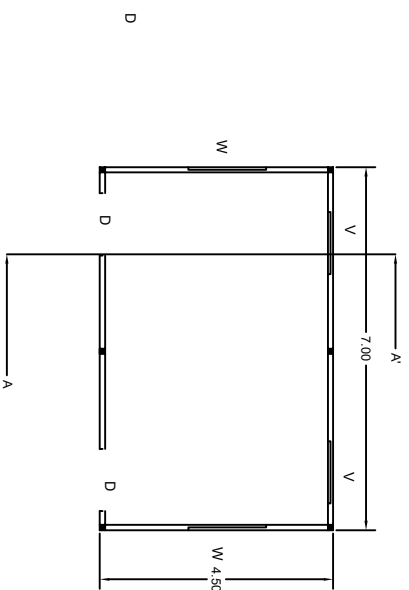
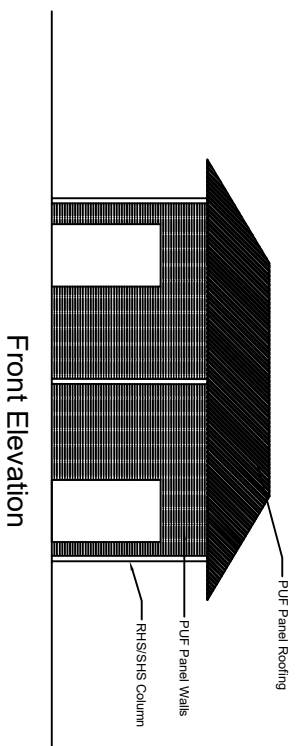


Plan



Roof Plan

LINE PLAN OF SHEARING SHED



Roof Plan

