

This drawing with all its contents is the sole intellectual property of the Hospital Services Consultancy Corporation (HSCC) Ltd. Copying of this drawing or part thereof or its use in any form whatsoever without the written permission of HSCC is prohibited.

**NOTES**

1. ALL DIMENSIONS ARE IN mm & LVLs IN m.
2. FINISHED FLOOR LVL TO BE CONFIRMED AS/ARCH. DRGS, THE SLAB TOP LEVEL TO BE WORKED OUT SUITABLY CONSIDERING FLOOR FINISH THICKNESS.
3. GRADE OF CONCRETE MIX SHALL BE AS FOLLOWS CONFORMING TO IS: 456-2000.
  - a. COLUMN-M30
  - b. OTHER RCC WORK-M25
4. ALL R/F BARS TO BE Fe500 Mpa. HYSD OR TMT STEEL AS PER IS:1786.
5. CLEAR COVER OF R/F TO BE AS BELOW:-
 

RAFT/FOOTING	= 50mm
COLUMN	= 40mm
BEAM	= 25mm
SLAB	= 20mm
6. ALL LAP LENGTHS = 50xSMALLER BAR  $\phi$ . ALL LAPS TO PLANNED SUITABLY AS PER SITE REQUIREMENT.
7. DEVELOPMENT LENGTH = 50xBAR  $\phi$ .
8. ALL HOOKS, BENDS & LAPS SHALL BE AS PER IS:2502-1960 AND IS:13920-1993 UNLESS OTHERWISE SPECIFIED.
9. THE CONTRACTOR SHALL INSPECT & VERIFY ALL DIMENSIONS & LEVELS IN THE DRAWINGS AND SHALL COORDINATE WITH ACTUAL SITE CONDITIONS. ANY DISCREPANCY FOUND SHALL BE BROUGHT TO NOTICE OF THE ENGINEER IN CHARGE BEFORE EXECUTION OF WORK AT SITE.
10. THIS DRAWING SHALL BE READ IN CONJUNCTION WITH ALL OTHER STRUCTURAL, ARCHITECTURAL, ELECTRICAL, PLUMBING & WATER SUPPLY DRAWINGS AND ALL OTHER SERVICES DRAWINGS AND THE TENDER DOC.

R-0 23.06.17 ISSUE FOR TENDER

REV.	DATE	DESCRIPTION
REVISION		

REVISION

**PROJECT**

PROPOSED  
MEDICAL COLLEGE  
AT NAHAN (H.P)

**TITLE**

TEACHING BLOCK

SECOND TO SEVENTH  
FLOOR LVL.  
BEAM FRAMING PLAN

HSCC/D&E/MC-NAHAN/TD/TB/ST-104

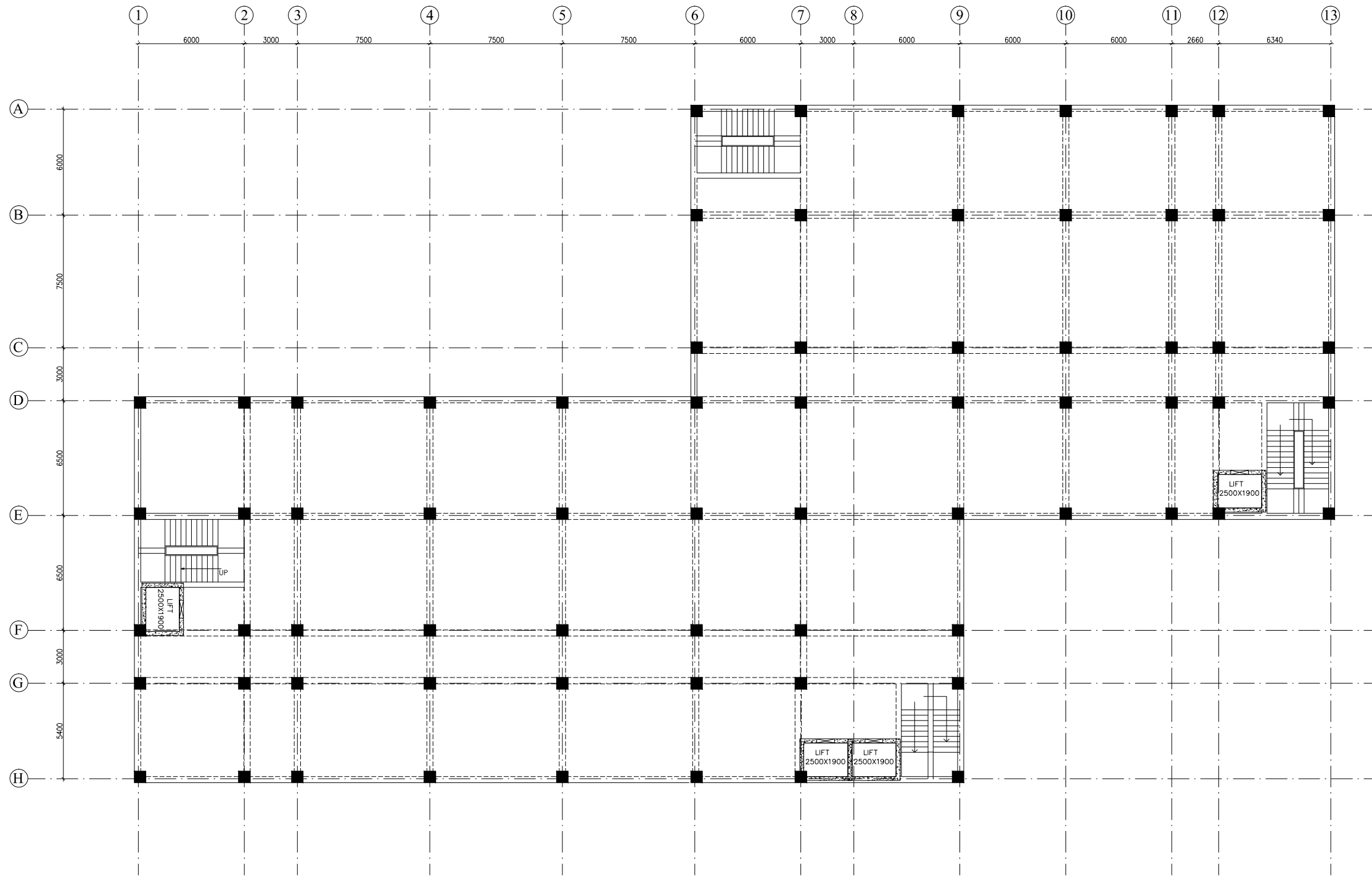
Drawing No. REV. 0

HSCC JOB No.	SCALE	DATE
1:125	JUNE.-2017	

APPROVED	REVIEWED	PREPARED

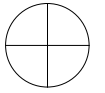
HSCC INDIA LTD.  
(A GOVERNMENT OF INDIA ENTERPRISE)

**HSCC**  
NEW DELHI INDIA



**SECOND TO SEVENTH FLOOR LVL. BEAM FRAMING PLAN**

(ALL BEAM SIZE = 350x650 U.N.O.)  
(COLUMN SIZE = 650x650 U.N.O.)  
(SLAB = 190 THICK)



This drawing with all its contents is the sole intellectual property of the Hospital Services Consultancy Corporation (India) Ltd. Copying of this drawing or part thereof or its use in any form whatsoever without the written permission of HSCC is prohibited.

**NOTES**

1. ALL DIMENSIONS ARE IN mm & LVLs IN m.
2. FINISHED FLOOR LVL TO BE CONFIRMED AS/ARCH. DRGS, THE SLAB TOP LEVEL TO BE WORKED OUT SUITABLY CONSIDERING FLOOR FINISH THICKNESS.
3. GRADE OF CONCRETE MIX SHALL BE AS FOLLOWS CONFORMING TO IS: 456-2000.
  - a. COLUMN-M30
  - b. OTHER RCC WORK-M25
4. ALL R/F BARS TO BE Fe500 Mpa. HYSD OR TMT STEEL AS PER IS:1786.
5. CLEAR COVER OF R/F TO BE AS BELOW--
 

RAFT/FOOTING	= 50mm
COLUMN	= 40mm
BEAM	= 25mm
SLAB	= 20mm
6. ALL LAP LENGTHS = 50xSMALLER BAR  $\phi$ . ALL LAPS TO PLANNED SUITABLY AS PER SITE REQUIREMENT.
7. DEVELOPMENT LENGTH = 50xBAR  $\phi$ .
8. ALL HOOKS, BENDS & LAPS SHALL BE AS PER IS:2502-1960 AND IS:13920-1993 UNLESS OTHERWISE SPECIFIED.
9. THE CONTRACTOR SHALL INSPECT & VERIFY ALL DIMENSIONS & LEVELS IN THE DRAWINGS AND SHALL COORDINATE WITH ACTUAL SITE CONDITIONS. ANY DISCREPANCY FOUND SHALL BE BROUGHT TO NOTICE OF THE ENGINEER IN CHARGE BEFORE EXECUTION OF WORK AT SITE.
10. THIS DRAWING SHALL BE READ IN CONJUNCTION WITH ALL OTHER STRUCTURAL, ARCHITECTURAL, ELECTRICAL, PLUMBING & WATER SUPPLY DRAWINGS AND ALL OTHER SERVICES DRAWINGS AND THE TENDER DOC.

R-0 23.06.17 ISSUE FOR TENDER

REV.	DATE	DESCRIPTION

**REVISION**

**PROJECT**

PROPOSED  
MEDICAL COLLEGE  
AT NAHAN (H.P)

**TITLE**

TEACHING BLOCK

EIGHTH & NINTH  
FLOOR LVL.  
BEAM FRAMING PLAN

HSCC/D&E/MC-NAHAN/TD/TB/ST-105

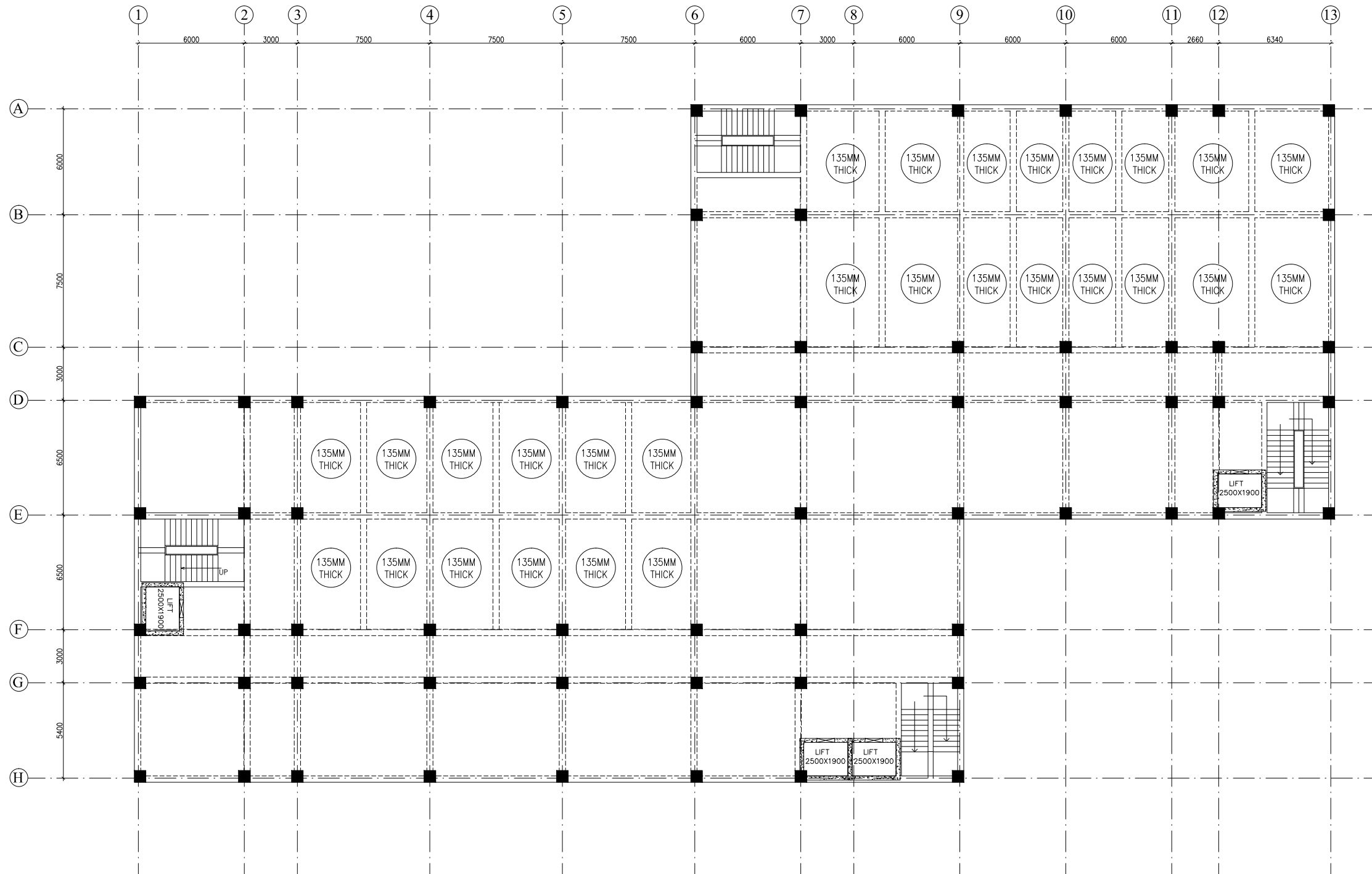
Drawing No. REV. 0

HSCC	1:125	JUNE.-2017
JOB No.	SCALE	DATE

APPROVED	REVIEWED	PREPARED
----------	----------	----------

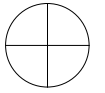
HSCC INDIA LTD.  
(A GOVERNMENT OF INDIA ENTERPRISE)

**HSCC**  
NEW DELHI INDIA



**EIGHTH & NINTH FLOOR LVL. BEAM FRAMING PLAN**

(ALL BEAM SIZE = 350x650 U.N.O.)  
(COLUMN SIZE = 650x650 U.N.O.)  
(SLAB = 190 THICK)



This drawing with all its contents is the sole intellectual property of the Hospital Services Consultancy Corporation (India) Ltd. Copying of this drawing or part thereof or its use in any form whatsoever without the written permission of HSCC is prohibited.

**NOTES**

1. ALL DIMENSIONS ARE IN mm & LVL'S IN m.
2. FINISHED FLOOR LVL. TO BE CONFIRMED AS/ARCH. DRGS. THE SLAB TOP LEVEL TO BE WORKED OUT SUITABLY CONSIDERING FLOOR FINISH THICKNESS.
3. GRADE OF CONCRETE MIX SHALL BE AS FOLLOWS CONFORMING TO IS: 456-2000.
  - a. COLUMN-M30
  - b. OTHER RCC WORK-M25
4. ALL R/F BARS TO BE Fe500 Mpa. HYSD OR TMT STEEL AS PER IS:1786.
5. CLEAR COVER OF R/F TO BE AS BELOW:-
  - RAFT/FOOTING = 50mm
  - COLUMN = 40mm
  - BEAM = 25mm
  - SLAB = 20mm
6. ALL LAP LENGTHS = 50xSMALLER BAR  $\phi$ . ALL LAPS TO PLANNED SUITABLY AS PER SITE REQUIREMENT.
7. DEVELOPMENT LENGTH = 50xBAR  $\phi$ .
8. ALL HOOKS, BENDS & LAPS SHALL BE AS PER IS:2502-1960 AND IS:13920-1993 UNLESS OTHERWISE SPECIFIED.
9. THE CONTRACTOR SHALL INSPECT & VERIFY ALL DIMENSIONS & LEVELS IN THE DRAWINGS AND SHALL COORDINATE WITH ACTUAL SITE CONDITIONS. ANY DISCREPANCY FOUND SHALL BE BROUGHT TO NOTICE OF THE ENGINEER IN CHARGE BEFORE EXECUTION OF WORK AT SITE.
10. THIS DRAWING SHALL BE READ IN CONJUNCTION WITH ALL OTHER STRUCTURAL, ARCHITECTURAL, ELECTRICAL, PLUMBING & WATER SUPPLY DRAWINGS AND ALL OTHER SERVICES DRAWINGS AND THE TENDER DOC.

R-0 23.06.17 ISSUE FOR TENDER

REV.	DATE	DESCRIPTION

**REVISION**

**PROJECT**

PROPOSED  
MEDICAL COLLEGE  
AT NAHAN (H.P)

**TITLE**

TEACHING BLOCK

TERRACE LVL.  
BEAM FRAMING PLAN

HSCC/D&E/MC-NAHAN/TD/TB/ST-106

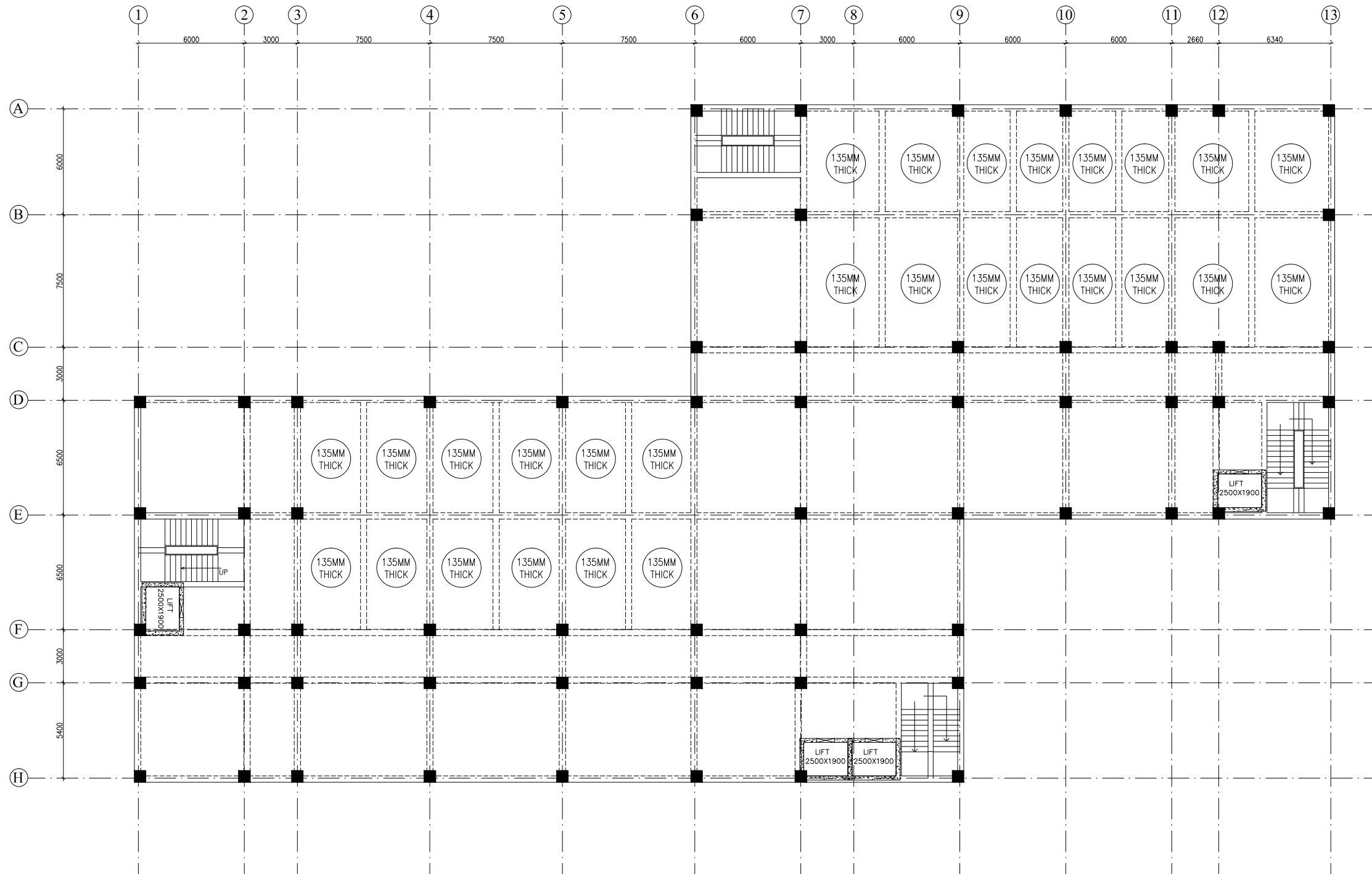
Drawing No. REV. 0

HSCC JOB No.	SCALE	DATE
1:125	JUNE.-2017	

APPROVED	REVIEWED	PREPARED

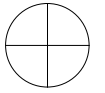
HSCC INDIA LTD.  
(A GOVERNMENT OF INDIA ENTERPRISE)

**HSCC**  
NEW DELHI INDIA



**TERRACE LVL. BEAM FRAMING PLAN**

(ALL BEAM SIZE = 350x650 U.N.O.)  
(COLUMN SIZE = 650x650 U.N.O.)  
(SLAB = 190 THICK)



This drawing with all its contents is the sole intellectual property of the Hospital Services Consultancy Corporation (HSCC) Ltd. Copying of this drawing or part thereof or its use in any form whatsoever without the written permission of HSCC is prohibited.

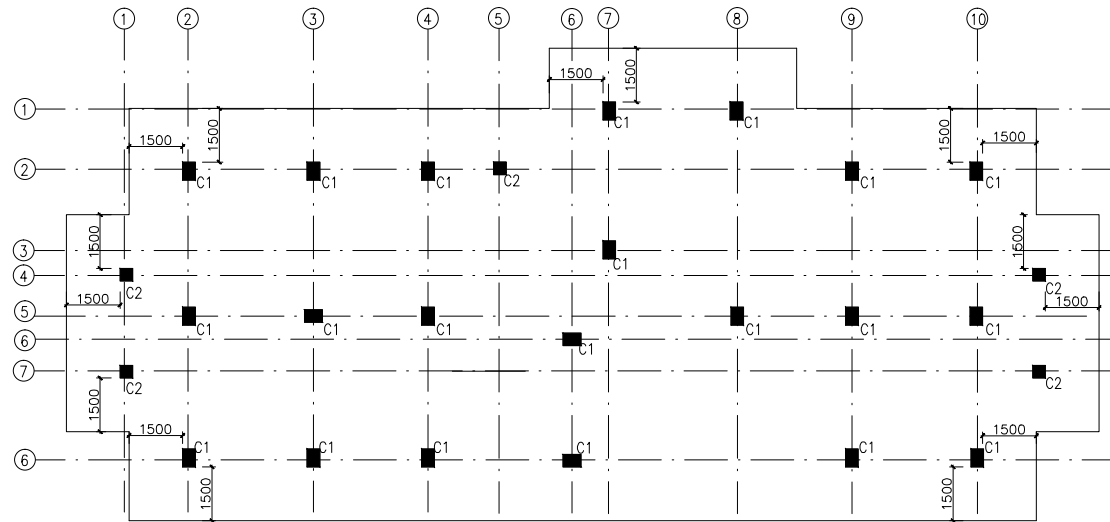
**LEGEND**

S.No.	MKD.	SIZE(xxy)
1.	C1	350x500
2.	C2	350x350

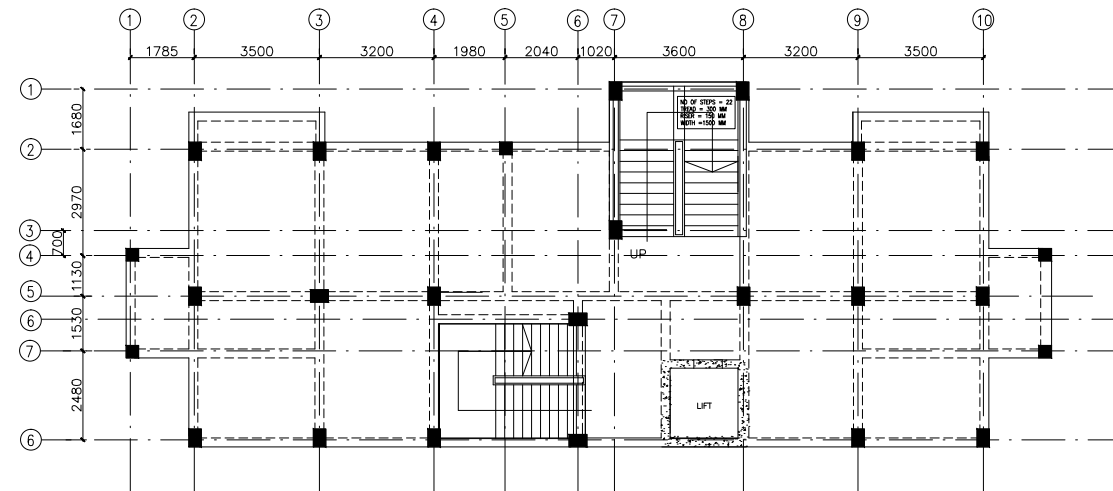
**NOTES**

1. ALL DIMENSIONS ARE IN mm & LVLS IN m.
2. FINISHED FLOOR LVL. TO BE CONFIRMED AS/ARCH. DRGS, THE SLAB TOP LEVEL TO BE WORKED OUT SUITABLY CONSIDERING FLOOR FINISH THICKNESS.
3. GRADE OF CONCRETE MIX SHALL BE AS FOLLOWS CONFORMING TO IS: 456-2000.
  - a. COLUMN-M30
  - b. OTHER RCC WORK-M25
4. ALL R/F BARS TO BE Fe500 Mpa. HYSD OR TMT STEEL AS PER IS:1786.
5. CLEAR COVER OF R/F TO BE AS BELOW:-
 

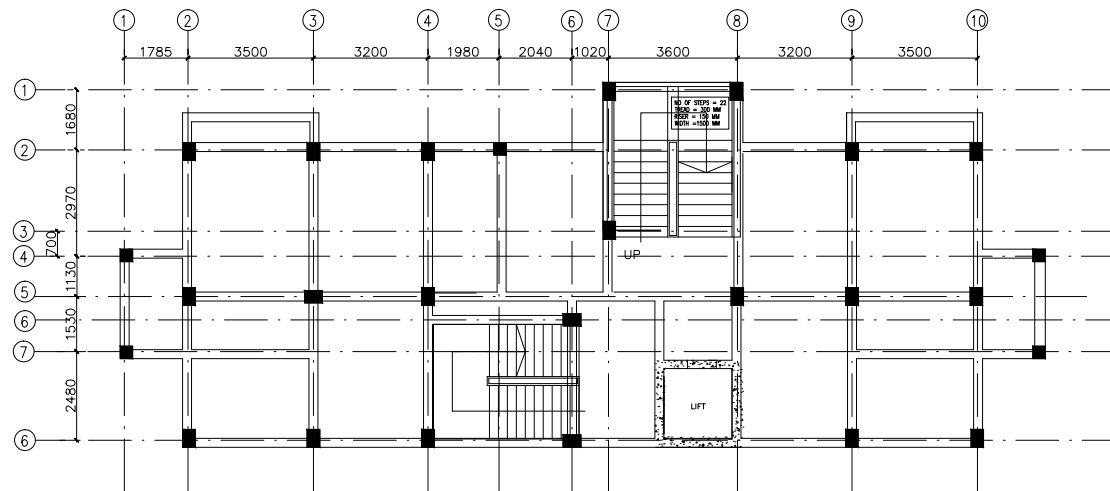
RAFT/FOOTING	= 50mm
COLUMN	= 40mm
BEAM	= 25mm
SLAB	= 20mm
6. ALL LAP LENGTHS = 50xSMALLER BAR  $\phi$ . ALL LAPS TO PLANNED SUITABLY AS PER SITE REQUIREMENT.
7. DEVELOPMENT LENGTH = 50xBAR  $\phi$ .
8. ALL HOOKS, BENDS & LAPS SHALL BE AS PER IS:2502-1960 AND IS:13920-1993 UNLESS OTHERWISE SPECIFIED.
9. THE CONTRACTOR SHALL INSPECT & VERIFY ALL DIMENSIONS & LEVELS IN THE DRAWINGS AND SHALL COORDINATE WITH ACTUAL SITE CONDITIONS. ANY DISCREPANCY FOUND SHALL BE BROUGHT TO NOTICE OF THE ENGINEER IN CHARGE BEFORE EXECUTION OF WORK AT SITE.
10. THIS DRAWING SHALL BE READ IN CONJUNCTION WITH ALL OTHER STRUCTURAL, ARCHITECTURAL, ELECTRICAL, PLUMBING & WATER SUPPLY DRAWINGS AND ALL OTHER SERVICES DRAWINGS AND THE TENDER DOC.



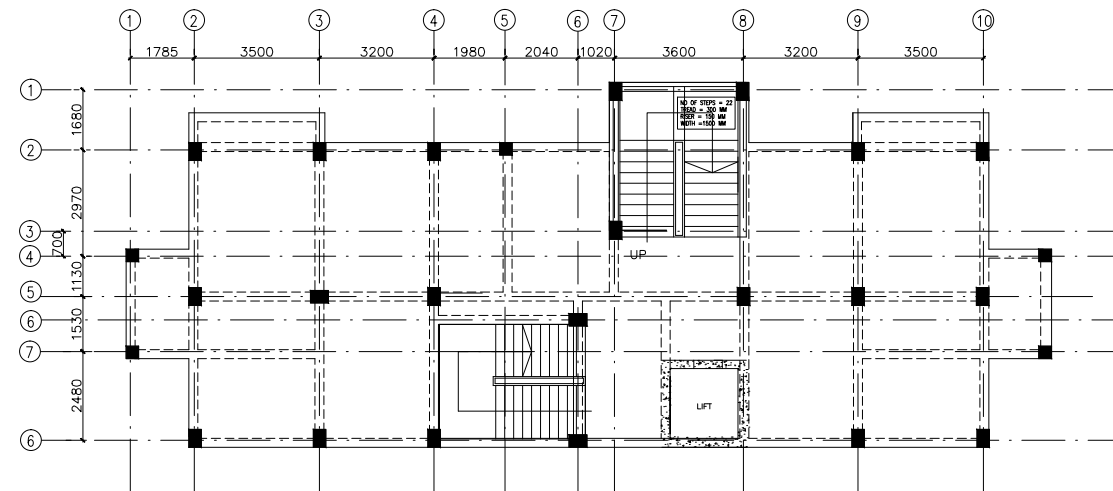
RAFT FOUNDATION PLAN  
750 MM THICK RAFT



FIRST TO FIFTH FLOOR BEAM FRAMING PLAN  
(ALL BEAM SIZE = 250x450 U.N.O.)  
(SLAB SIZE = 125MM.THICK)



PLINTH LVL. BEAM FRAMING PLAN  
(ALL BEAM SIZE = 250x450 U.N.O.)



TERRACE FLOOR BEAM FRAMING PLAN  
(ALL BEAM SIZE = 250x450 U.N.O.)  
(SLAB SIZE = 125MM.THICK)

R-0 23.06.17 ISSUE FOR TENDER

REV. DATE DESCRIPTION

**REVISION**

**PROJECT**

PROPOSED MEDICAL COLLEGE AT NAHAN (H.P)

**TITLE**

HOUSING TYPE-3  
RAFT FOUNDATION PLAN,  
FIRST TO FIFTH FLOOR  
& TERRACE FLOOR  
BEAM FRAMING PLAN

HSCC/D&E/NAHAN/MC/TD/TYPE-3/ST-101

Drawing No. REV. 0

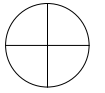
HSCC JOB No. SCALE DATE

1:100 JUNE.-2017

APPROVED REVIEWED PREPARED

HSCC INDIA LTD.  
(A GOVERNMENT OF INDIA ENTERPRISE)

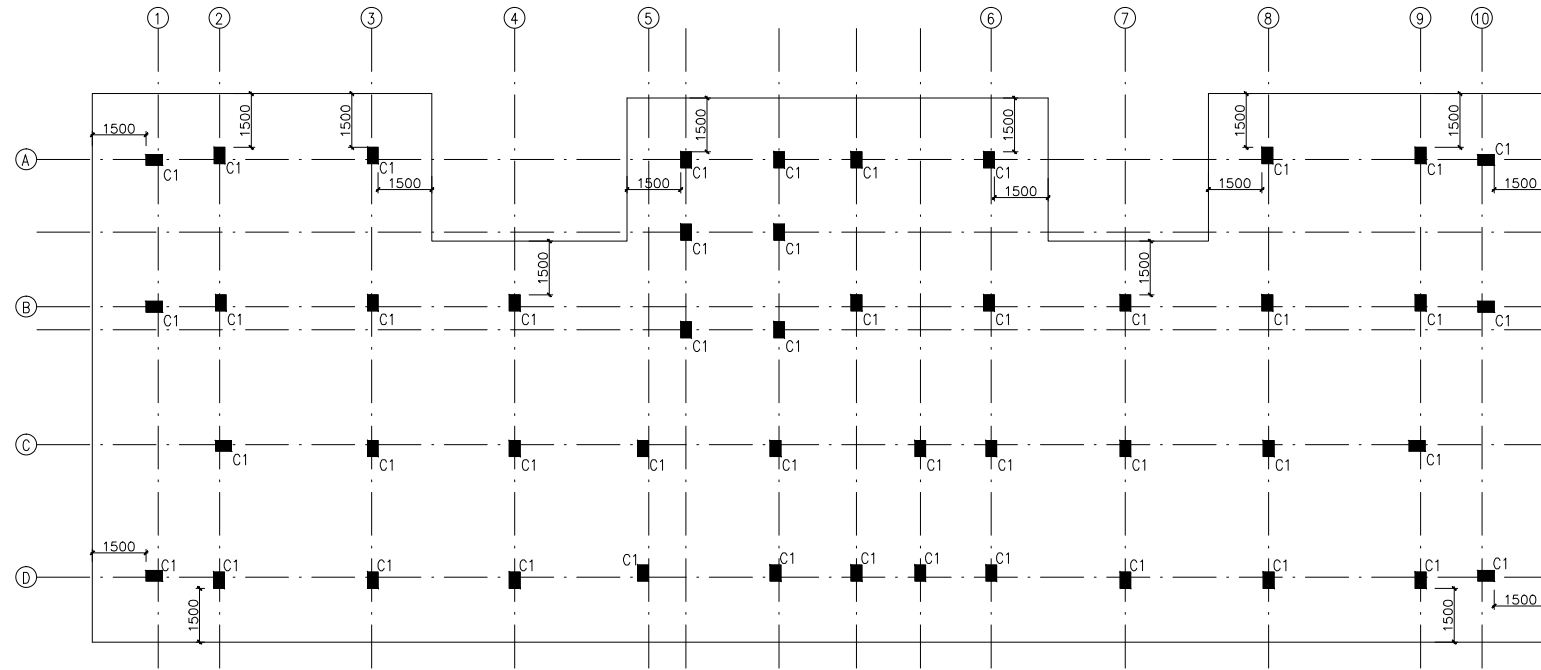
**HSCC**  
NEW DELHI INDIA



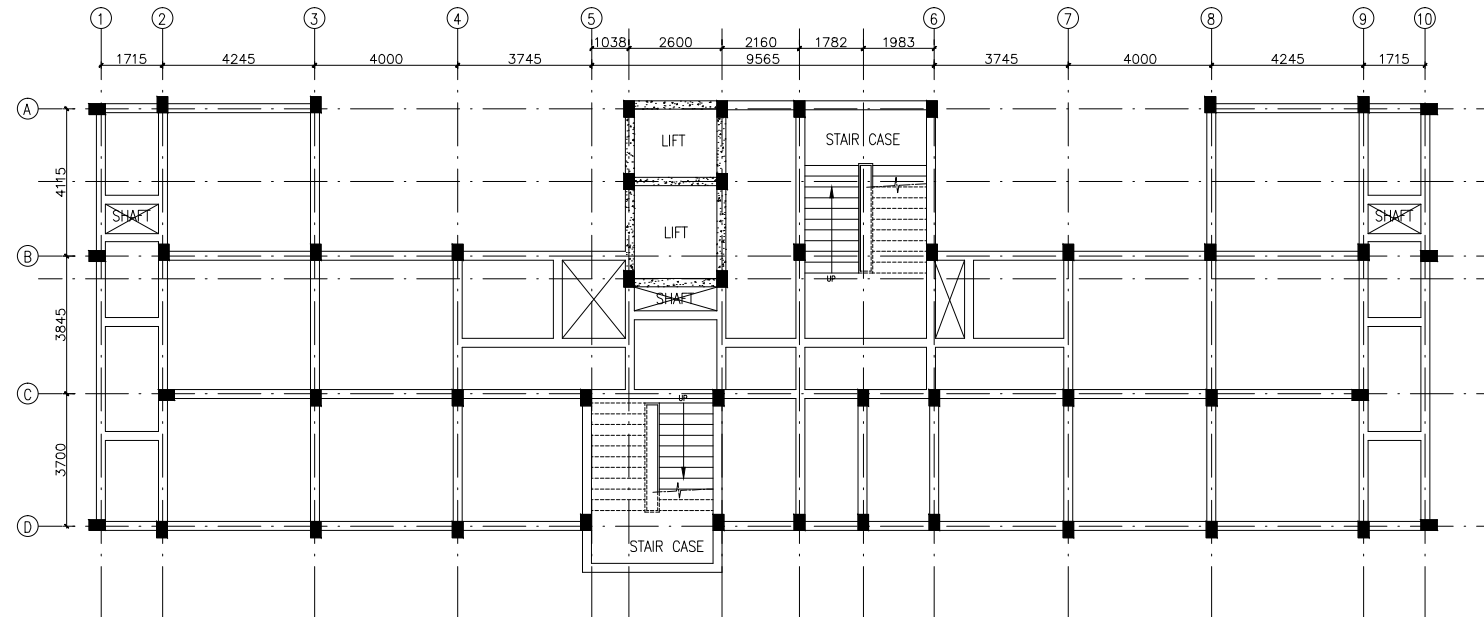
This drawing with all its contents is the sole intellectual property of the Hospital Services Consultancy Corporation (India) Ltd. Copying of this drawing or part thereof or its use in any form whatsoever without the written permission of HSCC is prohibited.

**LEGEND**

S.No.	MKD.	SIZE(XxY)
1.	C1	300x450



**RAFT FOUNDATION PLAN**  
750 MM THICK RAFT



**PLINTH LVL. BEAM FRAMING PLAN**  
(ALL BEAM SIZE = 250x450 U.N.O.)

**NOTES**

- ALL DIMENSIONS ARE IN mm & LVLs IN m.
- FINISHED FLOOR LVL TO BE CONFIRMED AS/ARCH. DRGS, THE SLAB TOP LEVEL TO BE WORKED OUT SUITABLY CONSIDERING FLOOR FINISH THICKNESS.
- GRADE OF CONCRETE MIX SHALL BE AS FOLLOWS CONFORMING TO IS: 456-2000.
  - COLUMN-M30
  - OTHER RCC WORK-M25
- ALL R/F BARS TO BE Fe500 Mpa. HYSD OR TMT STEEL AS PER IS:1786.
- CLEAR COVER OF R/F TO BE AS BELOW:-
 

RAFT/FOOTING	= 50mm
COLUMN	= 40mm
BEAM	= 25mm
SLAB	= 20mm
- ALL LAP LENGTHS = 50xSMALLER BAR  $\phi$ . ALL LAPS TO PLANNED SUITABLY AS PER SITE REQUIREMENT.
- DEVELOPMENT LENGTH = 50xBAR  $\phi$ .
- ALL HOOKS, BENDS & LAPS SHALL BE AS PER IS:2502-1960 AND IS:13920-1993 UNLESS OTHERWISE SPECIFIED.
- THE CONTRACTOR SHALL INSPECT & VERIFY ALL DIMENSIONS & LEVELS IN THE DRAWINGS AND SHALL COORDINATE WITH ACTUAL SITE CONDITIONS. ANY DISCREPANCY FOUND SHALL BE BROUGHT TO NOTICE OF THE ENGINEER IN CHARGE BEFORE EXECUTION OF WORK AT SITE.
- THIS DRAWING SHALL BE READ IN CONJUNCTION WITH ALL OTHER STRUCTURAL, ARCHITECTURAL, ELECTRICAL, PLUMBING & WATER SUPPLY DRAWINGS AND ALL OTHER SERVICES DRAWINGS AND THE TENDER DOC.

R-0 23.06.17 ISSUE FOR TENDER

REV. DATE DESCRIPTION

**REVISION**

**PROJECT**

PROPOSED MEDICAL COLLEGE AT NAHAN (H.P)

**TITLE**

HOUSING TYPE-4

RAFT FOUNDATION PLAN, & BEAM FRAMING PLAN

HSCC/D&E/NAHAN/MC/TD/TYPE-4/ST-101

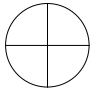
Drawing No. REV. 0

HSCC JOB No. SCALE DATE JUNE.-2017

APPROVED REVIEWED PREPARED

HSCC INDIA LTD.  
(A GOVERNMENT OF INDIA ENTERPRISE)

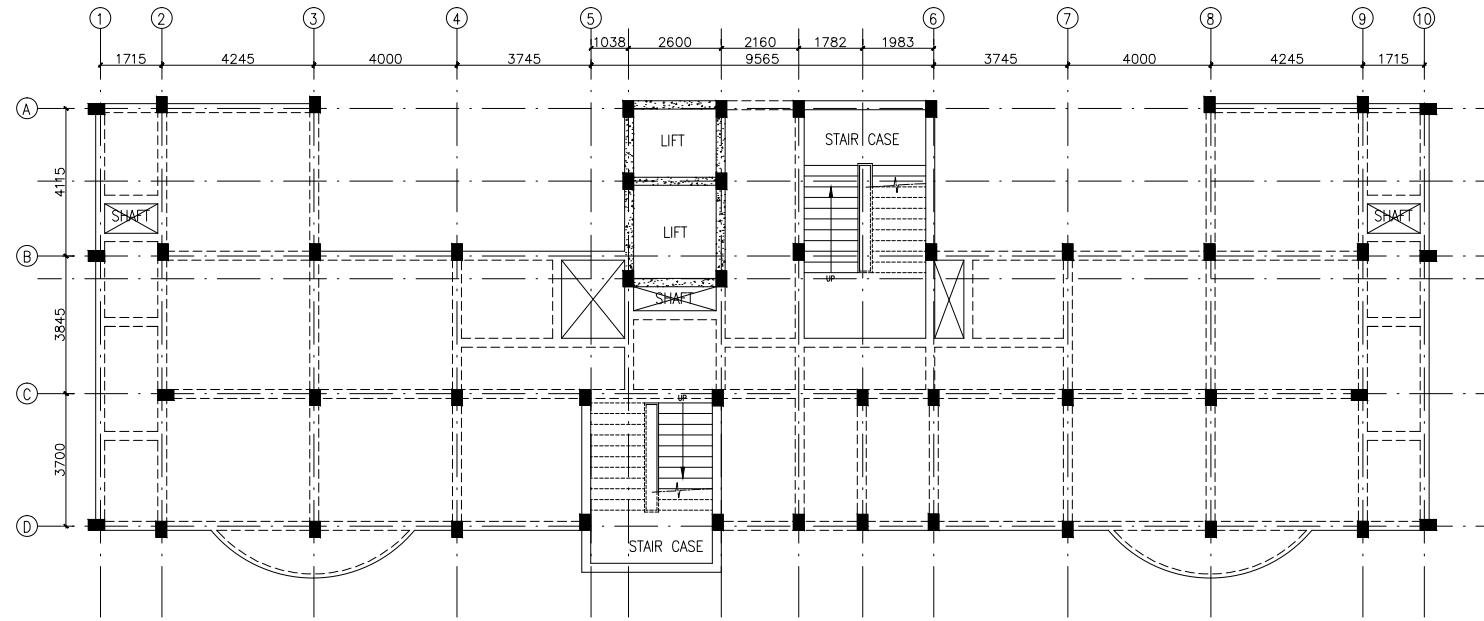




This drawing with all its contents is the sole intellectual property of the Hospital Services Consultancy Corporation (India) Ltd. Copying of this drawing or part thereof or its use in any form whatsoever without the written permission of HSCC is prohibited.

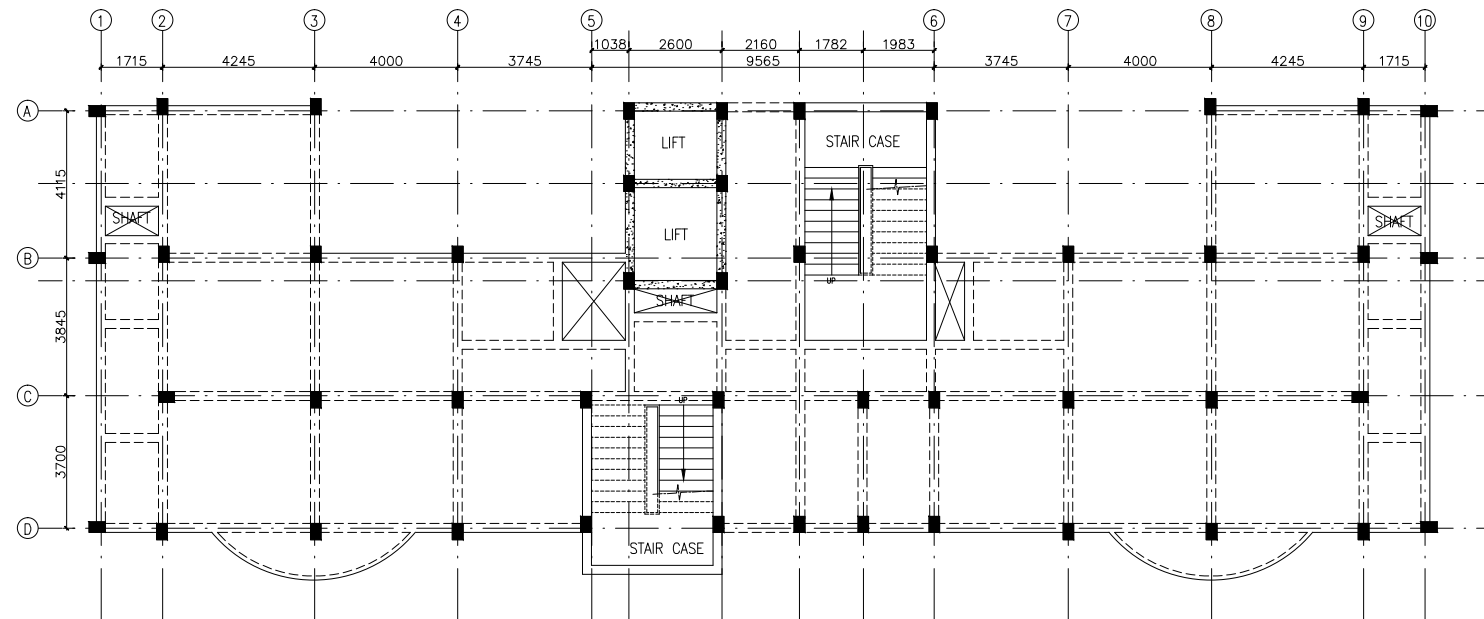
**LEGEND**

S.No.	MKD.	SIZE(XxY)
1.	C1	300x450



**TERRACE FLOOR BEAM FRAMING PLAN**

(ALL BEAM SIZE = 250x450 U.N.O.)  
(SLAB SIZE = 125MM.THICK)



**FIRST TO FIFTH FLOOR BEAM FRAMING PLAN**

(ALL BEAM SIZE = 250x450 U.N.O.)  
(SLAB SIZE = 125MM.THICK)

**NOTES**

1. ALL DIMENSIONS ARE IN mm & LVL IN m.
2. FINISHED FLOOR LVL TO BE CONFIRMED AS/ARCH. DRGS, THE SLAB TOP LEVEL TO BE WORKED OUT SUITABLY CONSIDERING FLOOR FINISH THICKNESS.
3. GRADE OF CONCRETE MIX SHALL BE AS FOLLOWS CONFORMING TO IS: 456-2000.
  - a. COLUMN-M30
  - b. OTHER RCC WORK-M25
4. ALL R/F BARS TO BE Fe500 Mpa. HYSD OR TMT STEEL AS PER IS:1786.
5. CLEAR COVER OF R/F TO BE AS BELOW:-
 

RAFT/FOOTING	= 50mm
COLUMN	= 40mm
BEAM	= 25mm
SLAB	= 20mm
6. ALL LAP LENGTHS = 50xSMALLER BAR  $\phi$ . ALL LAPS TO PLANNED SUITABLY AS PER SITE REQUIREMENT.
7. DEVELOPMENT LENGTH = 50xBAR  $\phi$ .
8. ALL HOOKS, BENDS & LAPS SHALL BE AS PER IS:2502-1960 AND IS:13920-1993 UNLESS OTHERWISE SPECIFIED.
9. THE CONTRACTOR SHALL INSPECT & VERIFY ALL DIMENSIONS & LEVELS IN THE DRAWINGS AND SHALL COORDINATE WITH ACTUAL SITE CONDITIONS. ANY DISCREPANCY FOUND SHALL BE BROUGHT TO NOTICE OF THE ENGINEER IN CHARGE BEFORE EXECUTION OF WORK AT SITE.
10. THIS DRAWING SHALL BE READ IN CONJUNCTION WITH ALL OTHER STRUCTURAL, ARCHITECTURAL, ELECTRICAL, PLUMBING & WATER SUPPLY DRAWINGS AND ALL OTHER SERVICES DRAWINGS AND THE TENDER DOC.

R-0 23.06.17 ISSUE FOR TENDER

REV.	DATE	DESCRIPTION

**REVISION**

**PROJECT**

PROPOSED MEDICAL COLLEGE, NAHAN, ARUNACHAL PRADESH

**TITLE**

HOUSING TYPE-4

FIRST TO FIFTH FLOOR  
& TERRACE FLOOR  
BEAM FRAMING PLAN

HSCC/D&E/NAHAN/MC/TD/TYPE-4/ST-102

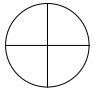
Drawing No. REV. 0

HSCC JOB No.	SCALE	DATE
	1:100	JUNE.-2017

APPROVED	REVIEWED	PREPARED

HSCC INDIA LTD.  
(A GOVERNMENT OF INDIA ENTERPRISE)

**HSCC**  
NEW DELHI INDIA



This drawing with all its contents is the sole intellectual property of the Hospital Services Consultancy Corporation (India) Ltd. Copying of this drawing or part thereof or its use in any form whatsoever without the written permission of HSCC is prohibited.

**NOTES**

1. ALL DIMENSIONS ARE IN mm & LVLs IN m.
2. FINISHED FLOOR LVL TO BE CONFIRMED AS/ARCH. DRGS. THE SLAB TOP LEVEL TO BE WORKED OUT SUITABLY CONSIDERING FLOOR FINISH THICKNESS.
3. GRADE OF CONCRETE MIX SHALL BE AS FOLLOWS CONFORMING TO IS: 456-2000.
  - a. COLUMN-M30
  - b. OTHER RCC WORK-M25
4. ALL R/F BARS TO BE Fe500 Mpa. HYSD OR TMT STEEL AS PER IS:1786.
5. CLEAR COVER OF R/F TO BE AS BELOW:-
 

RAFT/FOOTING	= 50mm
COLUMN	= 40mm
BEAM	= 25mm
SLAB	= 20mm
6. ALL LAP LENGTHS = 50xSMALLER BAR  $\phi$ . ALL LAPS TO PLANNED SUITABLY AS PER SITE REQUIREMENT.
7. DEVELOPMENT LENGTH = 50xBAR  $\phi$ .
8. ALL HOOKS, BENDS & LAPS SHALL BE AS PER IS:2502-1960 AND IS:13920-1993 UNLESS OTHERWISE SPECIFIED.
9. THE CONTRACTOR SHALL INSPECT & VERIFY ALL DIMENSIONS & LEVELS IN THE DRAWINGS AND SHALL COORDINATE WITH ACTUAL SITE CONDITIONS. ANY DISCREPANCY FOUND SHALL BE BROUGHT TO NOTICE OF THE ENGINEER IN CHARGE BEFORE EXECUTION OF WORK AT SITE.
10. THIS DRAWING SHALL BE READ IN CONJUNCTION WITH ALL OTHER STRUCTURAL, ARCHITECTURAL, ELECTRICAL, PLUMBING & WATER SUPPLY DRAWINGS AND ALL OTHER SERVICES DRAWINGS AND THE TENDER DOC.

R-0 23.06.17 ISSUE FOR TENDER

REV.	DATE	DESCRIPTION

**REVISION**

**PROJECT**

PROPOSED MEDICAL COLLEGE AT NAHAN (H.P.)

**TITLE**

HOSTEL GIRLS

RAFT FOUNDATION PLAN & PLINTH & GROUND FLOOR BEAM FRAMING PLAN

HSCC/D&E/NAHAN/MC/TD/HOSTEL/G/ST-101

Drawing No. REV. 0

HSCC	1:100	JUNE.-2017
JOB No.	SCALE	DATE

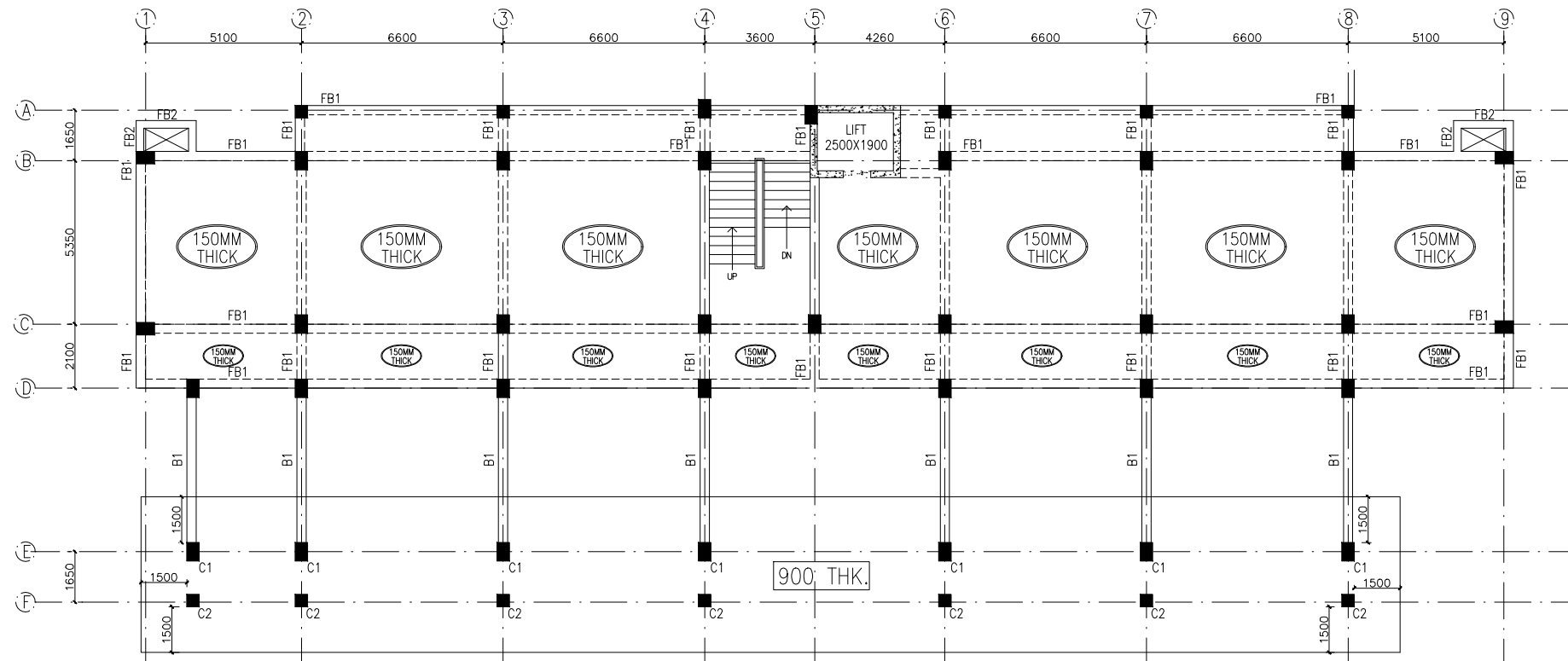
APPROVED	REVIEWED	PREPARED
----------	----------	----------

HSCC INDIA LTD.  
(A GOVERNMENT OF INDIA ENTERPRISE)

**HSCC**  
NEW DELHI INDIA

**LEGEND**

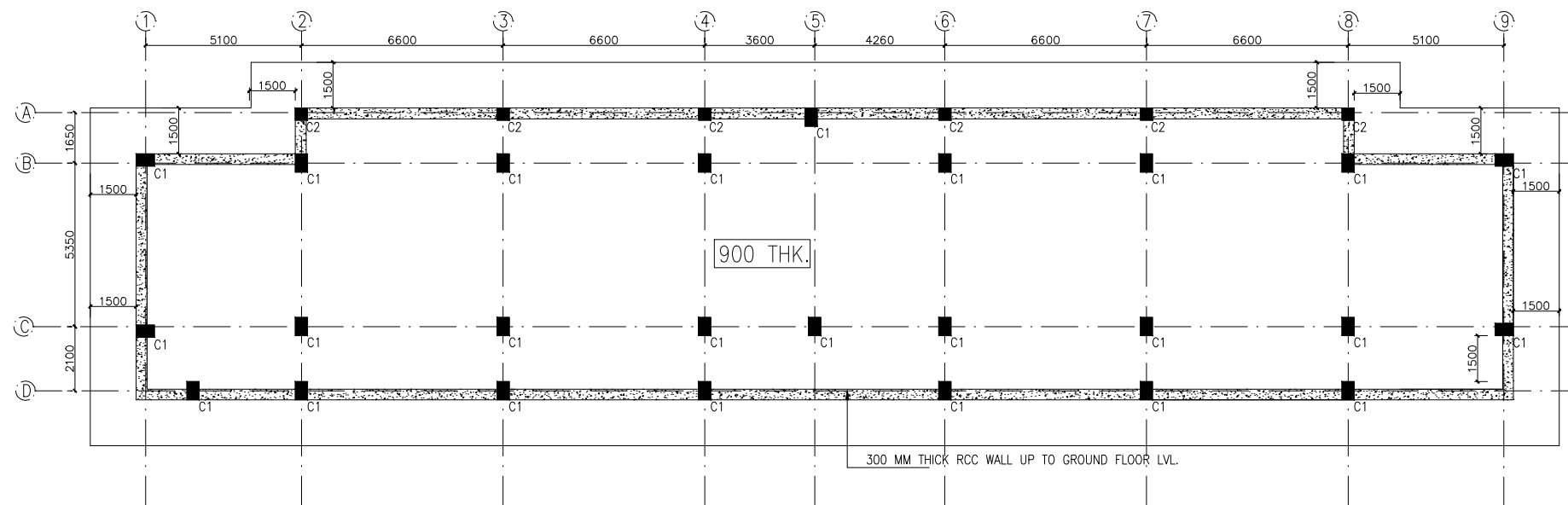
S.No.	MKD.	SIZE(XxY)
1.	B1	300x600
2.	B2	250x450
3.	FB1	300x600
4.	FB2	250x450



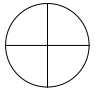
PLINTH & GROUND FLOOR BEAM FRAMING PLAN

**LEGEND**

S.No.	MKD.	SIZE(XxY)
1.	C1	400x600
2.	C2	400x400



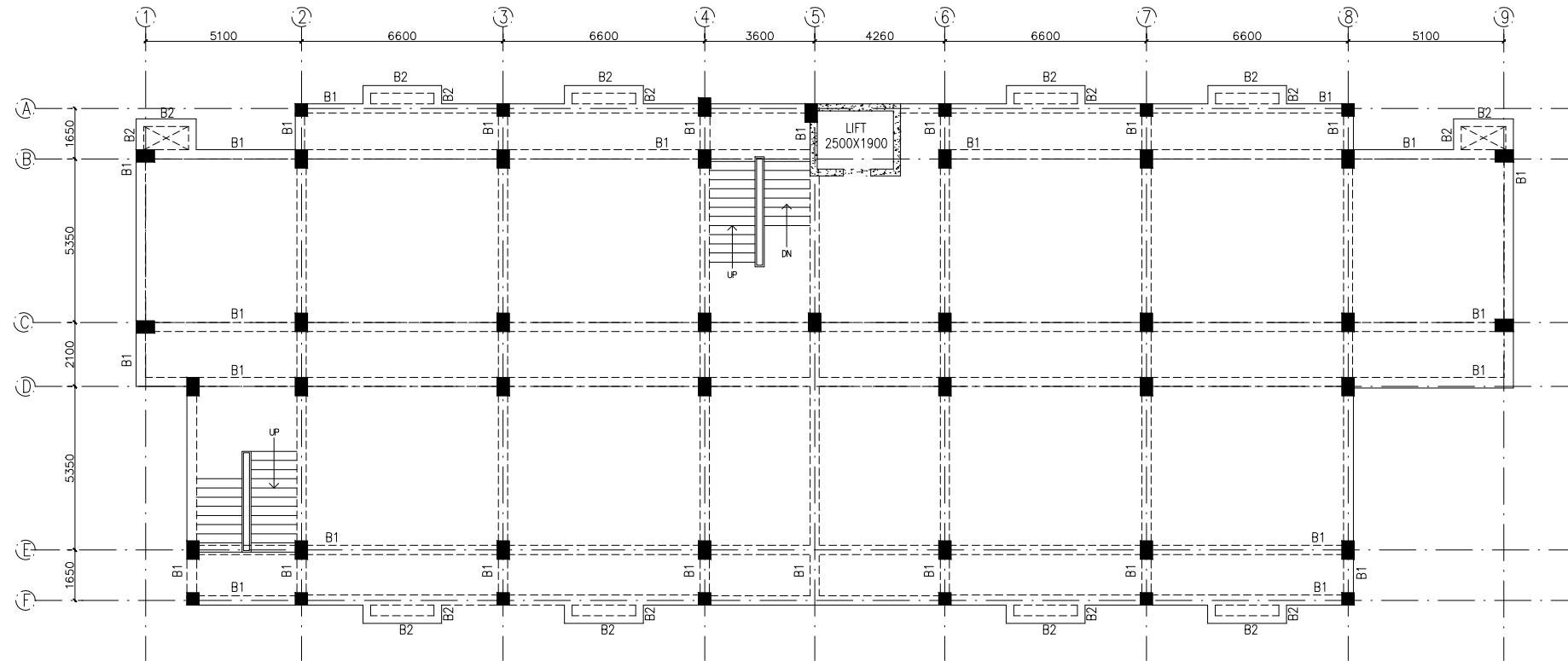
RAFT FOUNDATION PLAN  
-1 LVL.



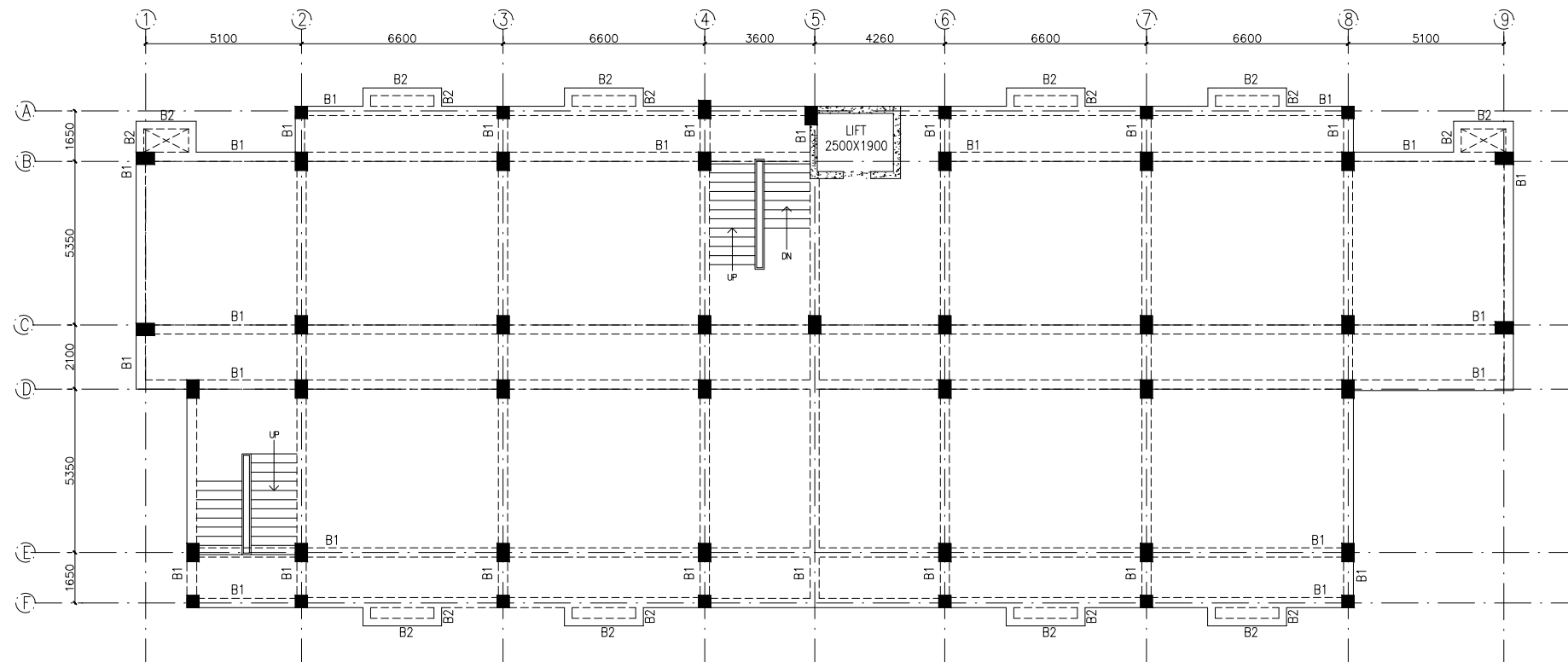
This drawing with all its contents is the sole intellectual property of the Hospital Services Consultancy Corporation (India) Ltd. Copying of this drawing or part thereof or its use in any form whatsoever without the written permission of HSCC is prohibited.

**LEGEND**

S.No.	MKD.	SIZE(XxY)
1.	B1	300x600
2.	B2	250x450



FIRST TO SEVENTH FLOOR BEAM FRAMING PLAN  
(SLAB = 150 THICK)



TERRACE FLOOR BEAM FRAMING PLAN  
(SLAB = 150 THICK)

**NOTES**

1. ALL DIMENSIONS ARE IN mm & LVL IN m.
2. FINISHED FLOOR LVL TO BE CONFIRMED AS/ARCH. DRGS, THE SLAB TOP LEVEL TO BE WORKED OUT SUITABLY CONSIDERING FLOOR FINISH THICKNESS.
3. GRADE OF CONCRETE MIX SHALL BE AS FOLLOWS CONFORMING TO IS: 456-2000.
  - a. COLUMN-M30
  - b. OTHER RCC WORK-M25
4. ALL R/F BARS TO BE Fe500 Mpa. HYSD OR TMT STEEL AS PER IS:1786.
5. CLEAR COVER OF R/F TO BE AS BELOW:-
 

RAFT/FOOTING	= 50mm
COLUMN	= 40mm
BEAM	= 25mm
SLAB	= 20mm
6. ALL LAP LENGTHS = 50xSMALLER BAR  $\phi$ . ALL LAPS TO BE PLANNED SUITABLY AS PER SITE REQUIREMENT.
7. DEVELOPMENT LENGTH = 50xBAR  $\phi$ .
8. ALL HOOKS, BENDS & LAPS SHALL BE AS PER IS:2502-1960 AND IS:13920-1993 UNLESS OTHERWISE SPECIFIED.
9. THE CONTRACTOR SHALL INSPECT & VERIFY ALL DIMENSIONS & LEVELS IN THE DRAWINGS AND SHALL COORDINATE WITH ACTUAL SITE CONDITIONS. ANY DISCREPANCY FOUND SHALL BE BROUGHT TO NOTICE OF THE ENGINEER IN CHARGE BEFORE EXECUTION OF WORK AT SITE.
10. THIS DRAWING SHALL BE READ IN CONJUNCTION WITH ALL OTHER STRUCTURAL, ARCHITECTURAL, ELECTRICAL, PLUMBING & WATER SUPPLY DRAWINGS AND ALL OTHER SERVICES DRAWINGS AND THE TENDER DOC.

R-0 23.06.17 ISSUE FOR TENDER

REV.	DATE	DESCRIPTION
REVISION		

REVISION

**PROJECT**

PROPOSED MEDICAL COLLEGE AT NAHAN (H.P.)

**TITLE**

HOSTEL GIRLS

FIRST TO SEVENTH FLOOR & TERRACE FLOOR BEAM FRAMING PLAN

HSCC/D&E/NAHAN/MC/TD/HOSTEL/G/ST-102

Drawing No. REV. 0

HSCC JOB No.	SCALE	JUNE.-2017 DATE
	1:100	

APPROVED	REVIEWED	PREPARED

HSCC INDIA LTD.  
(A GOVERNMENT OF INDIA ENTERPRISE)

**HSCC**  
NEW DELHI INDIA



285

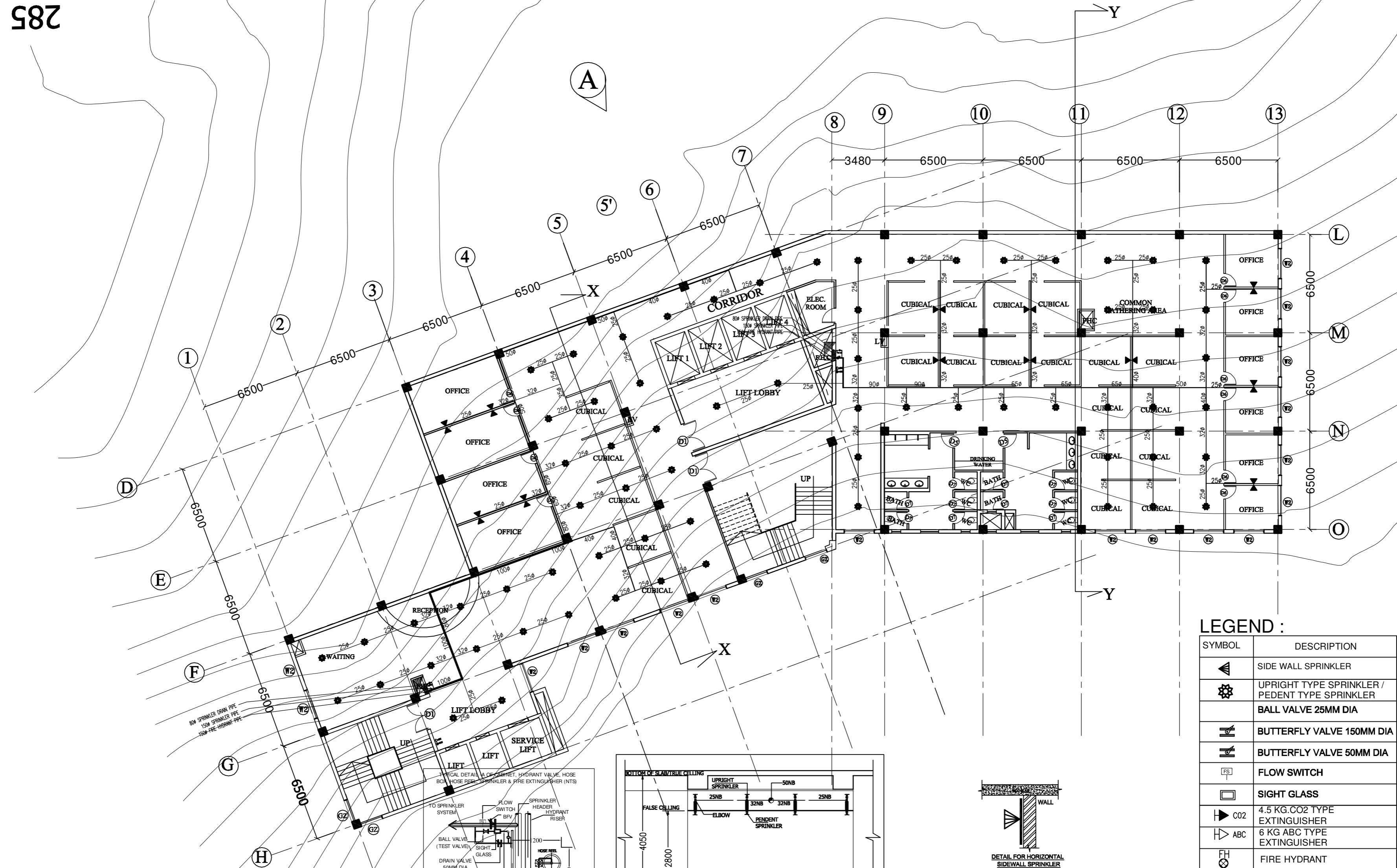
284

283

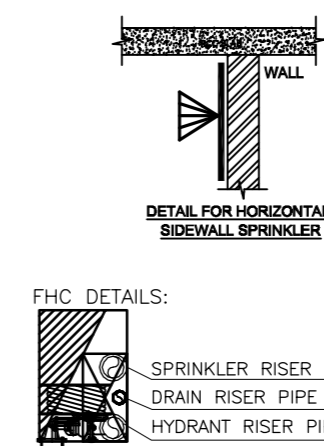
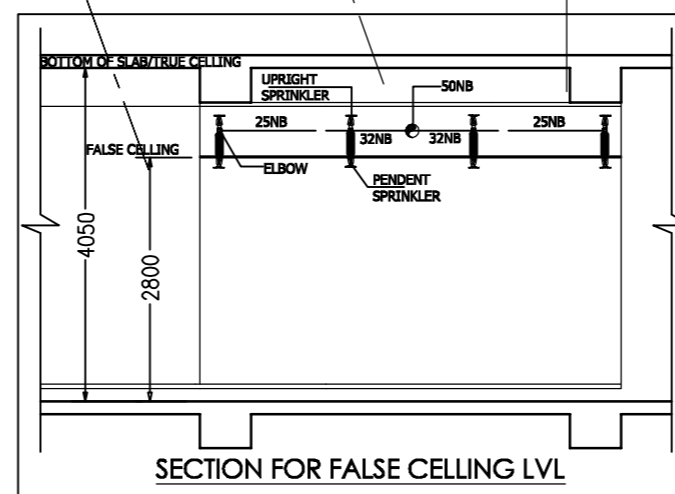
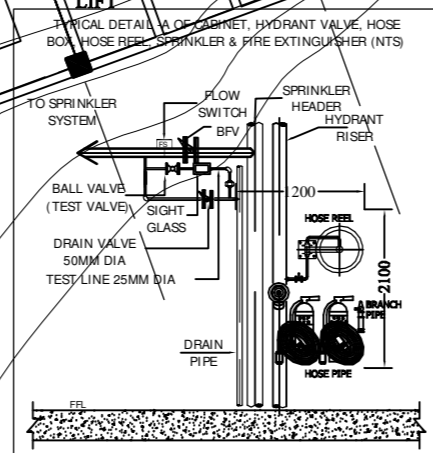
282

280 281

77 278 279 LL



-1 FLOOR LVL. PLAN



LEGEND :

SYMBOL	DESCRIPTION
	SIDE WALL SPRINKLER
	UPRIGHT TYPE SPRINKLER / PUDENT TYPE SPRINKLER
	BALL VALVE 25MM DIA
	BUTTERFLY VALVE 150MM DIA
	BUTTERFLY VALVE 50MM DIA
	FLOW SWITCH
	SIGHT GLASS
	4.5 KG. CO2 TYPE EXTINGUISHER
	6 KG ABC TYPE EXTINGUISHER
	FIRE HYDRANT
	HOSE REEL 20MM X 36 MTRS.
	BRNCH PIPE 63MM DIA
	RRL HOSE PIPE 63X15 MTRS
	FIRE HOSE CABINET

MEDICAL COLLEGE AT NAHAN, HIMACHAL PRADESH

HOSPITAL BLOCK

Tender Drawing Fire Fighting Drawing

FLOOR PLAN Date 23-08-2016

HSCC NEW DELHI INDIA

285

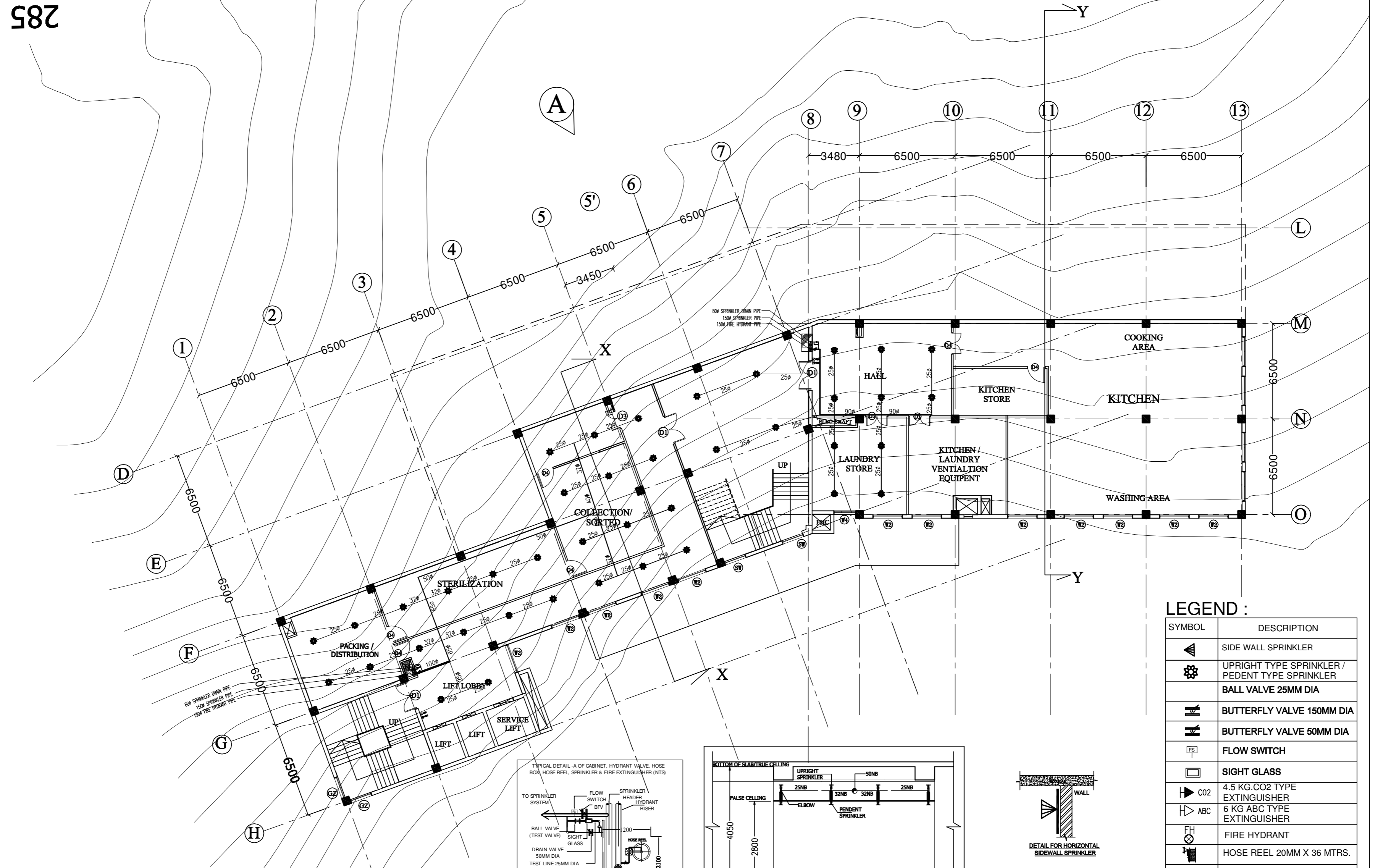
284

283

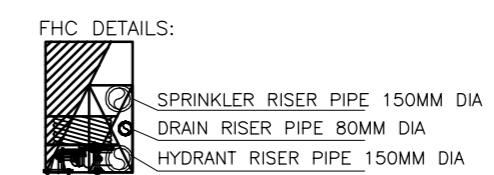
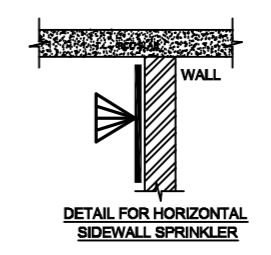
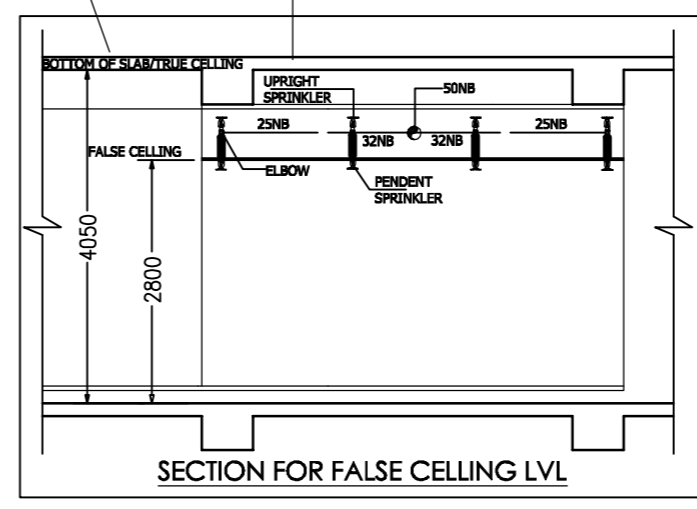
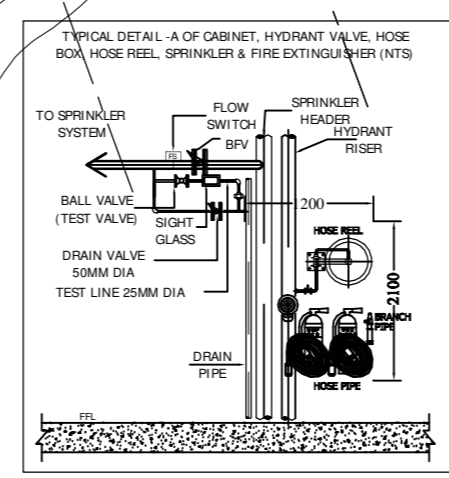
282

280 281

77 278 279 77 278 279



-2 FLOOR LVL. PLAN



**LEGEND :**

SYMBOL	DESCRIPTION
	SIDE WALL SPRINKLER
	UPRIGHT TYPE SPRINKLER / PENDENT TYPE SPRINKLER
	BALL VALVE 25MM DIA
	BUTTERFLY VALVE 150MM DIA
	BUTTERFLY VALVE 50MM DIA
	FLOW SWITCH
	SIGHT GLASS
	4.5 KG CO2 TYPE EXTINGUISHER
	6 KG ABC TYPE EXTINGUISHER
	FIRE HYDRANT
	HOSE REEL 20MM X 36 MTRS.
	BRNCH PIPE 63MM DIA
	RRL HOSE PIPE 63X15 MTRS
	FIRE HOSE CABINET

**MEDICAL COLLEGE AT NAHAN,  
HIMACHAL PRADESH**

**HOSPITAL  
BLOCK**

**Tender Drawing  
Fire Fighting Drawing**

**FLOOR  
PLAN**  
Date 23-08-2016

**HSCC**  
NEW DELHI INDIA

285

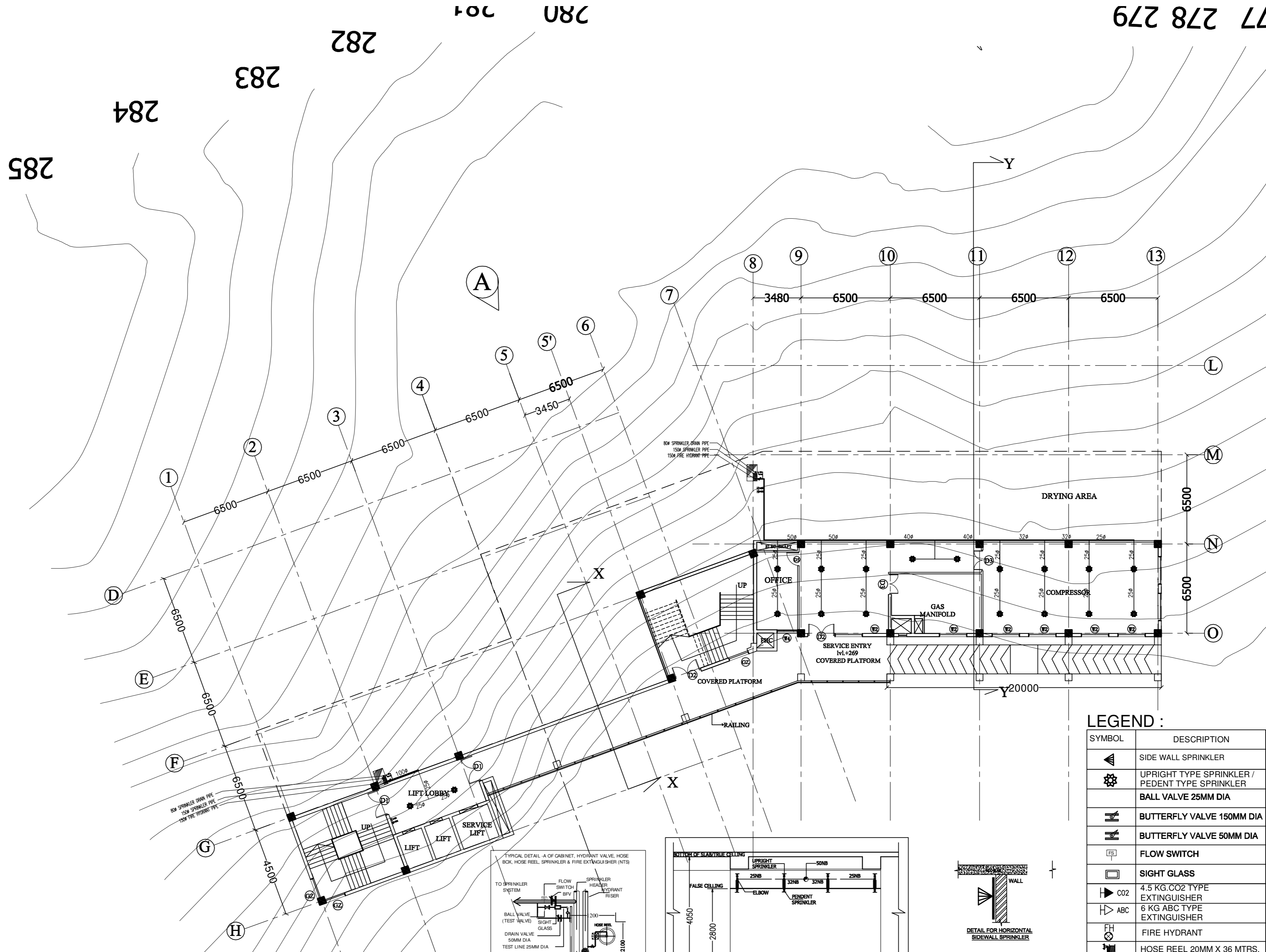
284

283

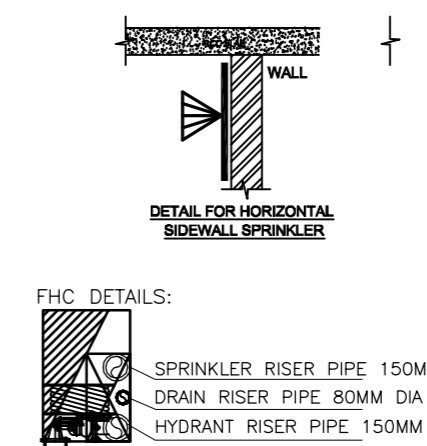
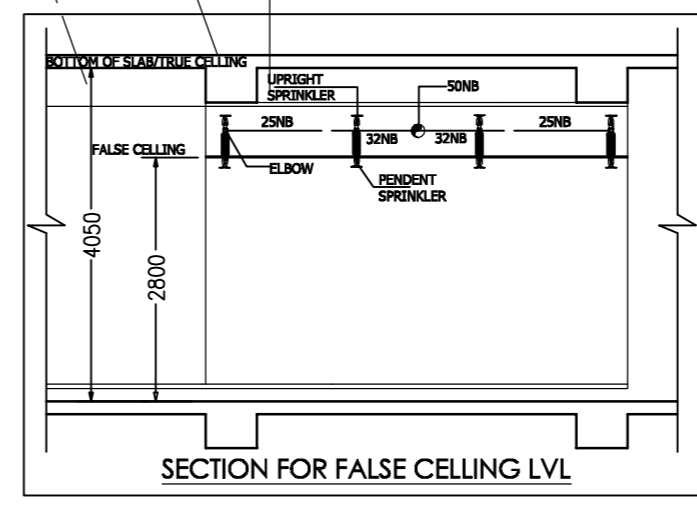
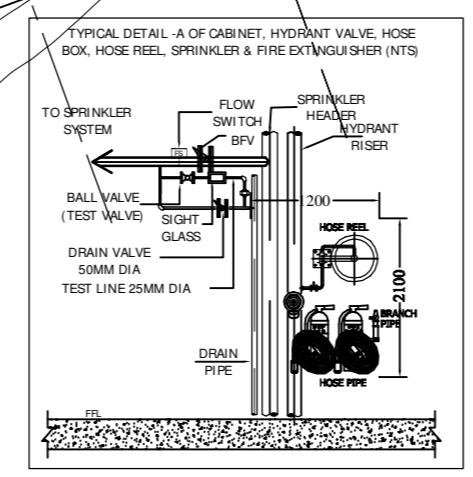
282

280 281

77 278 279 LL



-3 FLOOR LVL. PLAN



LEGEND :

SYMBOL	DESCRIPTION
	SIDE WALL SPRINKLER
	UPRIGHT TYPE SPRINKLER / PENDENT TYPE SPRINKLER
	BALL VALVE 25MM DIA
	BUTTERFLY VALVE 150MM DIA BUTTERFLY VALVE 50MM DIA
	FLOW SWITCH
	SIGHT GLASS
	4.5 KG. CO2 TYPE EXTINGUISHER
	6 KG ABC TYPE EXTINGUISHER
	FIRE HYDRANT
	HOSE REEL 20MM X 36 MTRS.
	BRNCH PIPE 63MM DIA
	RRL HOSE PIPE 60X15 MTRS
	FIRE HOSE CABINET

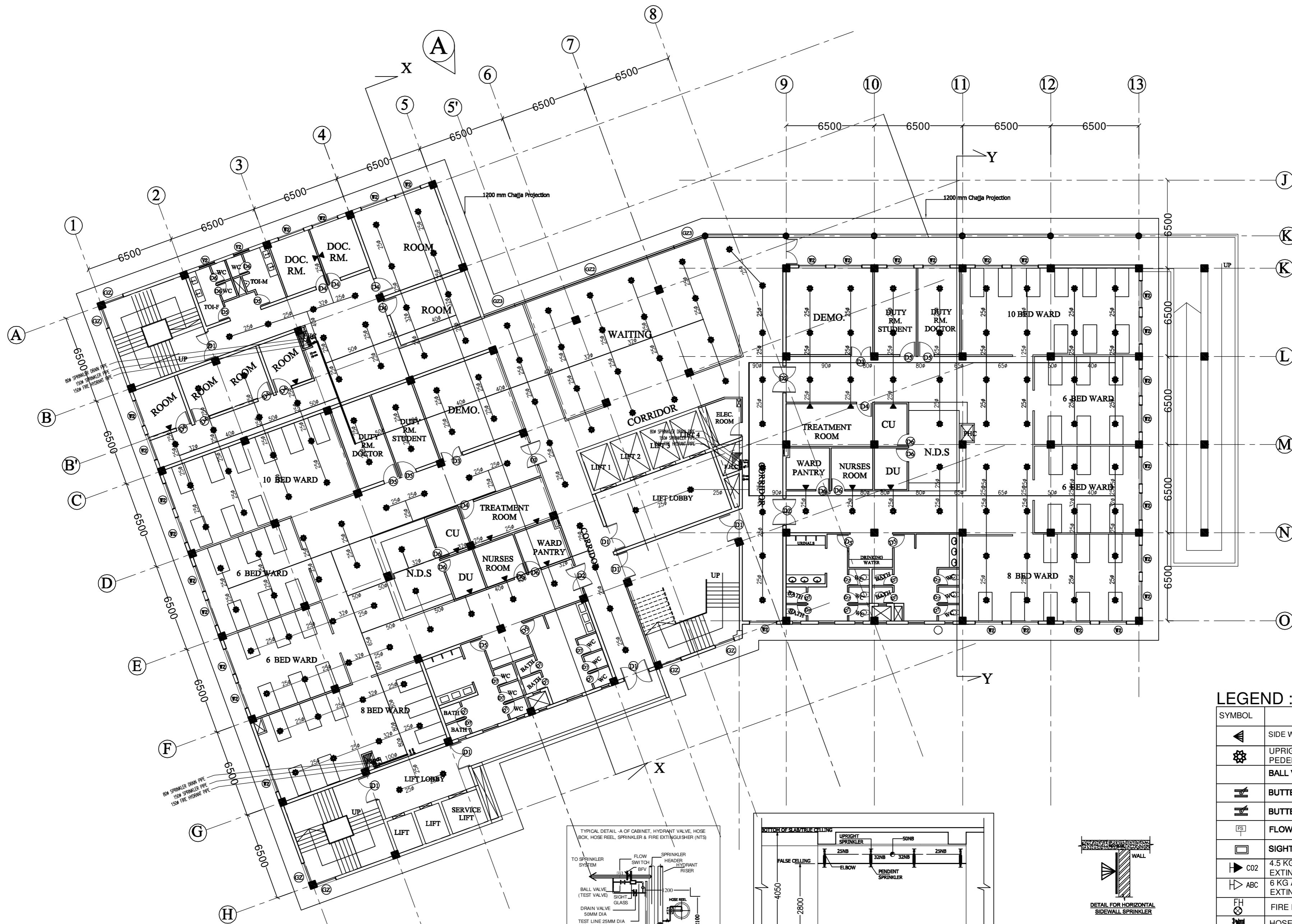
MEDICAL COLLEGE AT NAHAN, HIMACHAL PRADESH

HOSPITAL BLOCK

Tender Drawing  
Fire Fighting Drawing

FLOOR PLAN  
Date 23-08-2016

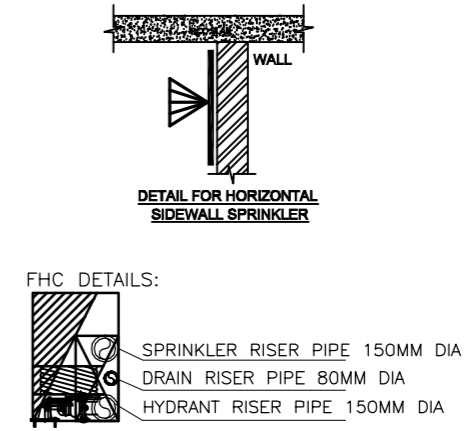
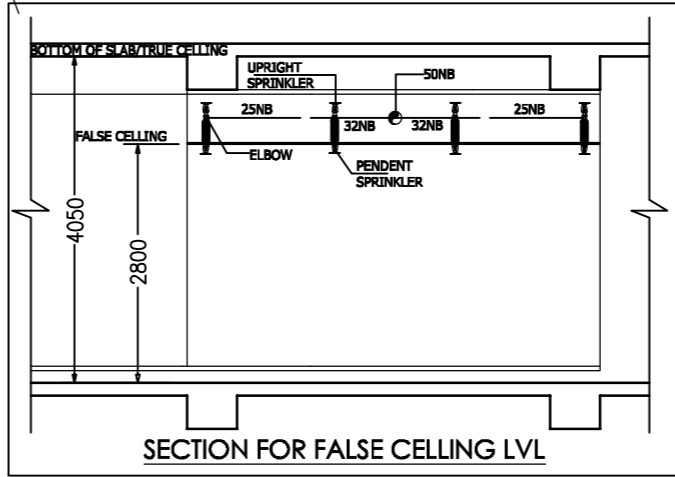
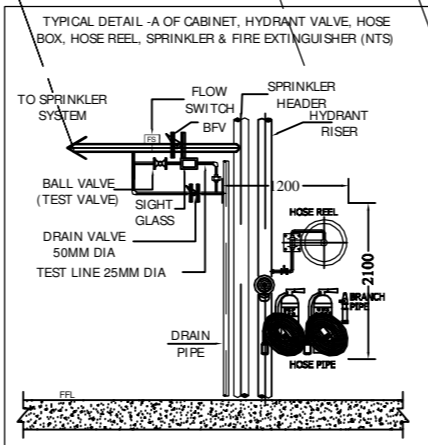
HSCC  
NEW DELHI INDIA



FIRST FLOOR PLAN

**LEGEND :**

SYMBOL	DESCRIPTION
	SIDE WALL SPRINKLER
	UPRIGHT TYPE SPRINKLER / PUDENT TYPE SPRINKLER
	BALL VALVE 25MM DIA
	BUTTERFLY VALVE 150MM DIA
	BUTTERFLY VALVE 50MM DIA
	FLOW SWITCH
	SIGHT GLASS
	4.5 KG. CO2 TYPE EXTINGUISHER
	6 KG ABC TYPE EXTINGUISHER
	FIRE HYDRANT
	HOSE REEL 20MM X 36 MTRS.
	BRNCH PIPE 63MM DIA
	RRL HOSE PIPE 69X15 MTRS
	FIRE HOSE CABINET



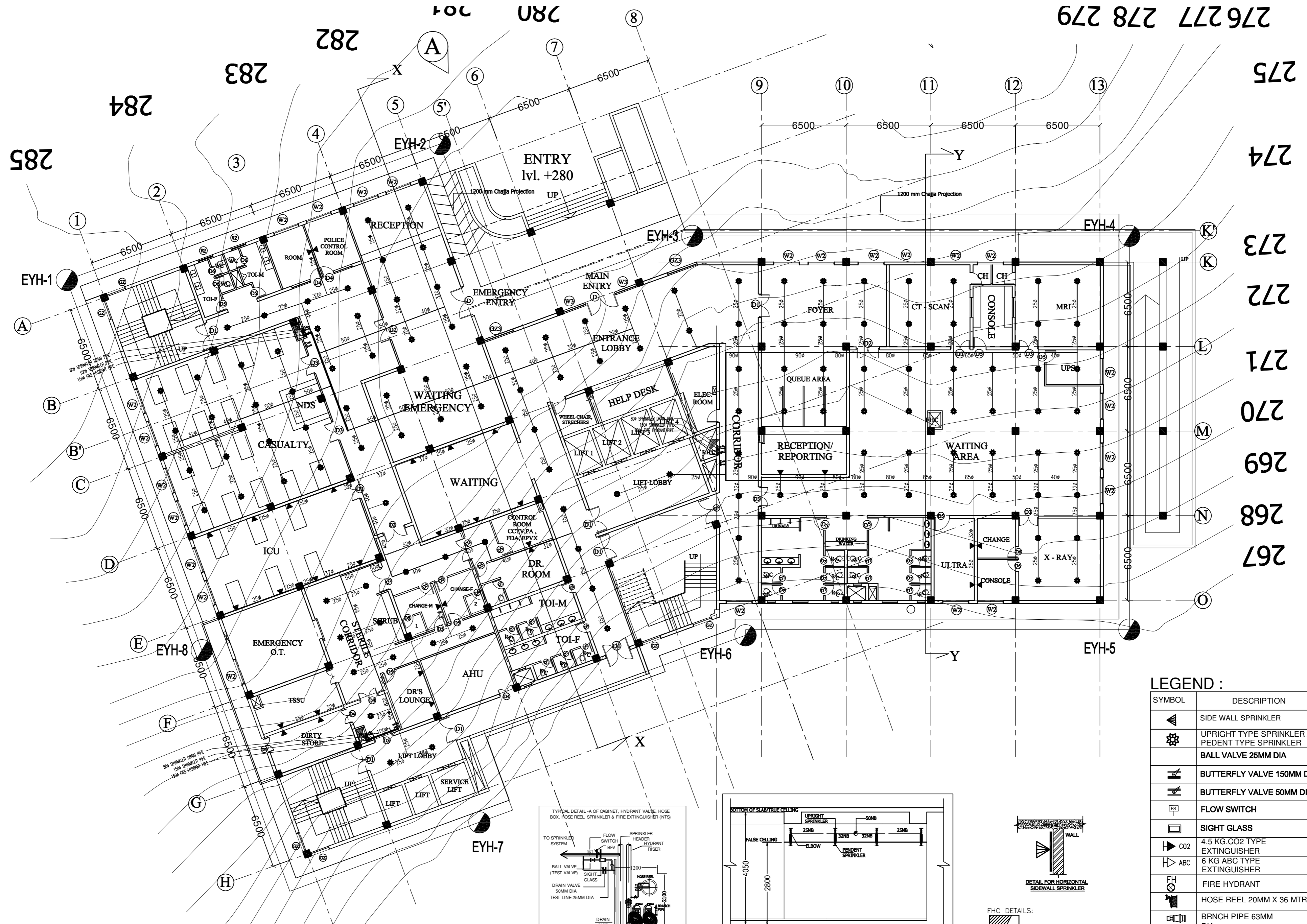
**MEDICAL COLLEGE AT NAHAN,  
HIMACHAL PRADESH**

**HOSPITAL  
BLOCK**

Tender Drawing  
Fire Fighting Drawing

**FLOOR  
PLAN**  
Date 23-08-2016

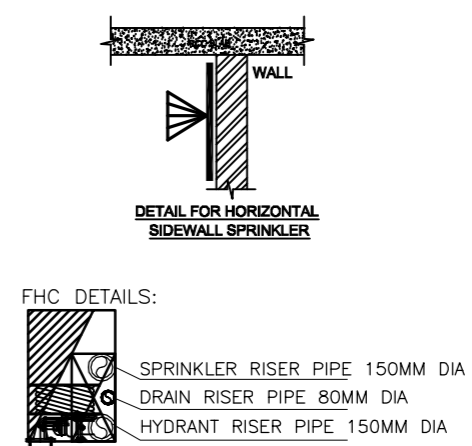
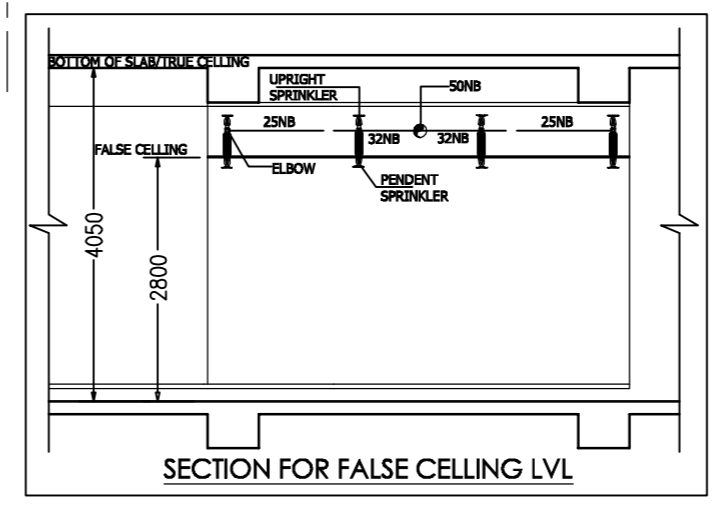
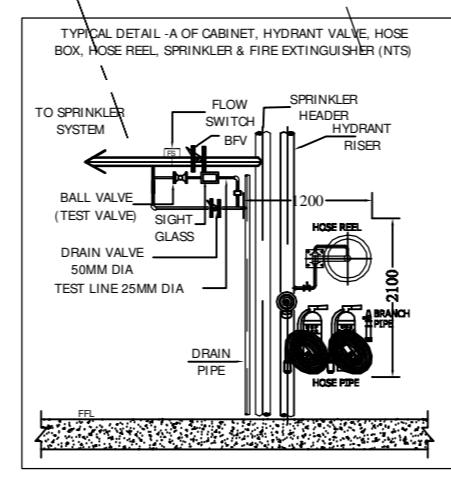
**HSCC**  
NEW DELHI INDIA



**GROUND FLOOR PLAN**

**LEGEND :**

SYMBOL	DESCRIPTION
	SIDE WALL SPRINKLER
	UPRIGHT TYPE SPRINKLER / PENDENT TYPE SPRINKLER
	BALL VALVE 25MM DIA
	BUTTERFLY VALVE 150MM DIA
	BUTTERFLY VALVE 50MM DIA
	FLOW SWITCH
	SIGHT GLASS
	4.5 KG. CO2 TYPE EXTINGUISHER
	6 KG ABC TYPE EXTINGUISHER
	FIRE HYDRANT
	HOSE REEL 20MM X 36 MTRS.
	BRNCH PIPE 63MM DIA
	RRL HOSE PIPE 63X15 MTRS
	FIRE HOSE CABINET



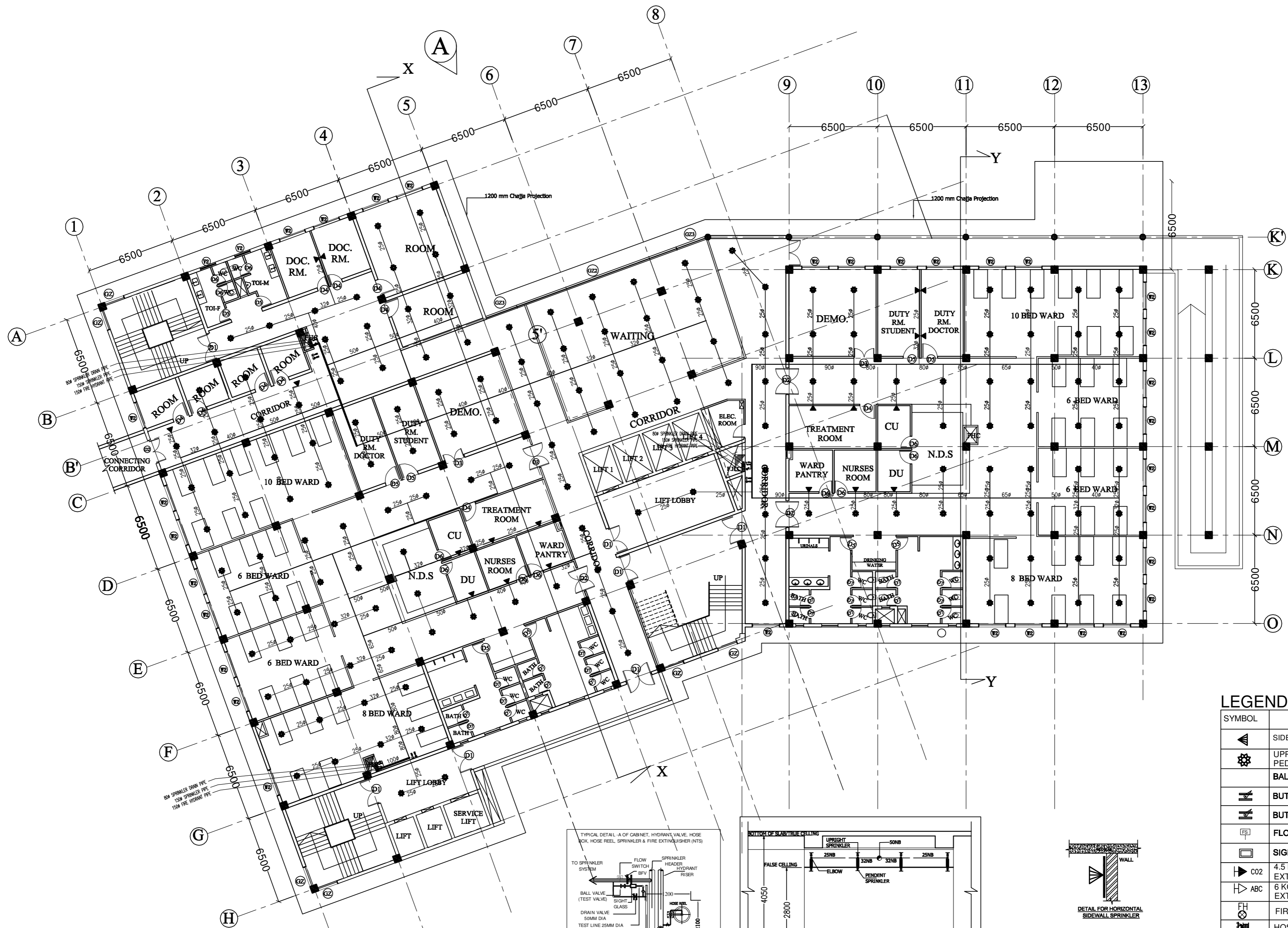
**MEDICAL COLLEGE AT NAHAN,  
HIMACHAL PRADESH**

**HOSPITAL  
BLOCK**

Tender Drawing  
Fire Fighting Drawing

**FLOOR PLAN**  
Date 23-08-2016

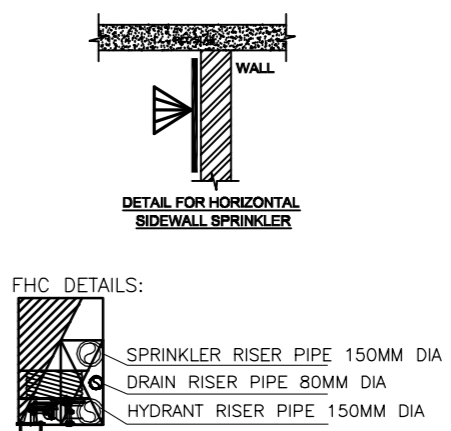
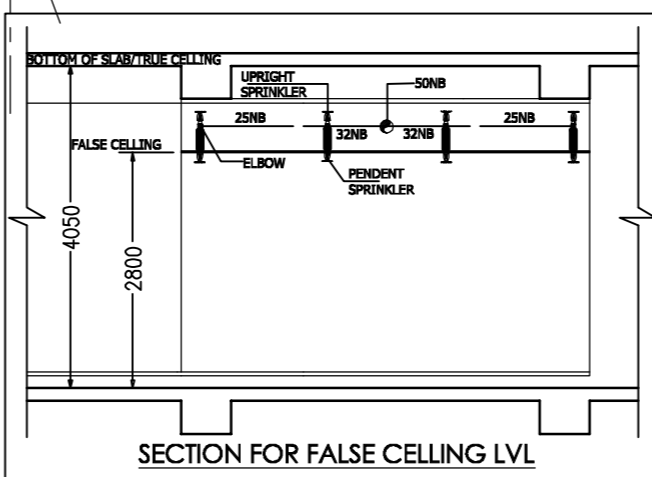
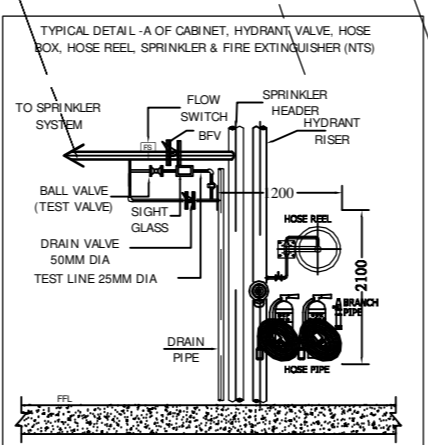
**HSCC**  
INDIA NEW DELHI



**SECOND FLOOR PLAN**

**LEGEND :**

SYMBOL	DESCRIPTION
	SIDE WALL SPRINKLER
	UPRIGHT TYPE SPRINKLER / PENDING TYPE SPRINKLER
	BALL VALVE 25MM DIA
	BUTTERFLY VALVE 150MM DIA
	BUTTERFLY VALVE 50MM DIA
	FLOW SWITCH
	SIGHT GLASS
	4.5 KG. CO2 TYPE EXTINGUISHER
	6 KG ABC TYPE EXTINGUISHER
	FIRE HYDRANT
	HOSE REEL 20MM X 36 MTRS.
	BRNCH PIPE 63MM DIA
	RRL HOSE PIPE 63X15-MTRS
	FIRE HOSE CABINET



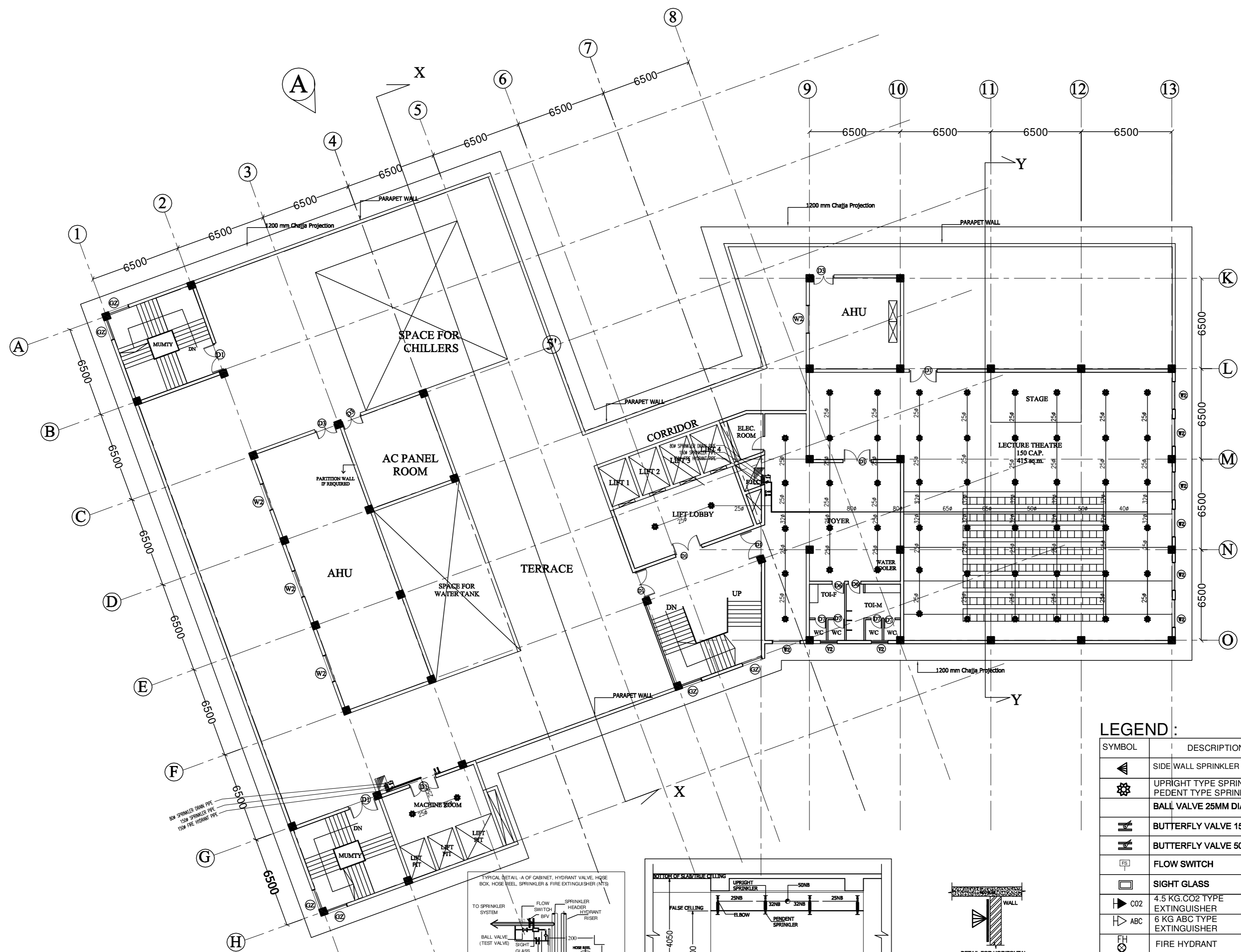
**MEDICAL COLLEGE AT NAHAN,  
HIMACHAL PRADESH**

**HOSPITAL  
BLOCK**

**Tender Drawing  
Fire Fighting Drawing**

**FLOOR  
PLAN**  
Date 23-08-2016

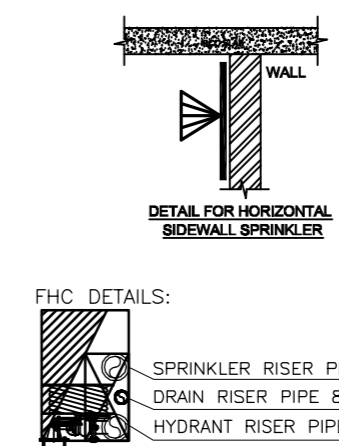
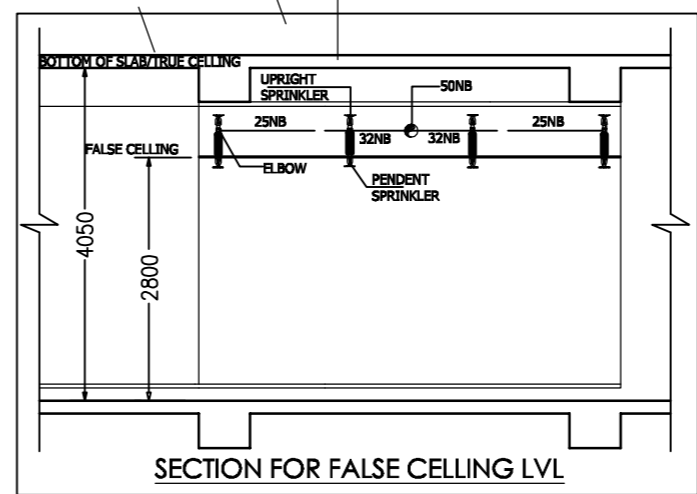
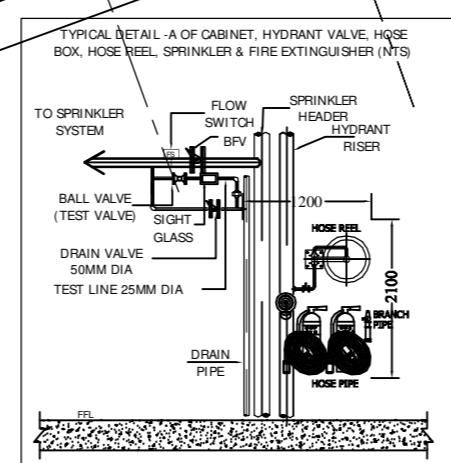
**HSCC**  
NEW DELHI INDIA



SEVENTH FLOOR PLAN

LEGEND :

SYMBOL	DESCRIPTION
	SIDE WALL SPRINKLER
	UPRIGHT TYPE SPRINKLER / PUDENT TYPE SPRINKLER
	BALL VALVE 25MM DIA
	BUTTERFLY VALVE 150MM DIA
	BUTTERFLY VALVE 50MM DIA
	FLOW SWITCH
	SIGHT GLASS
	4.5 KG. CO2 TYPE EXTINGUISHER
	6 KG ABC TYPE EXTINGUISHER
	FIRE HYDRANT
	HOSE REEL 20MM X 36 MTRS.
	BRNCH PIPE 63MM DIA
	RRL HOSE PIPE 63X15 MTRS
	FIRE HOSE CABINET



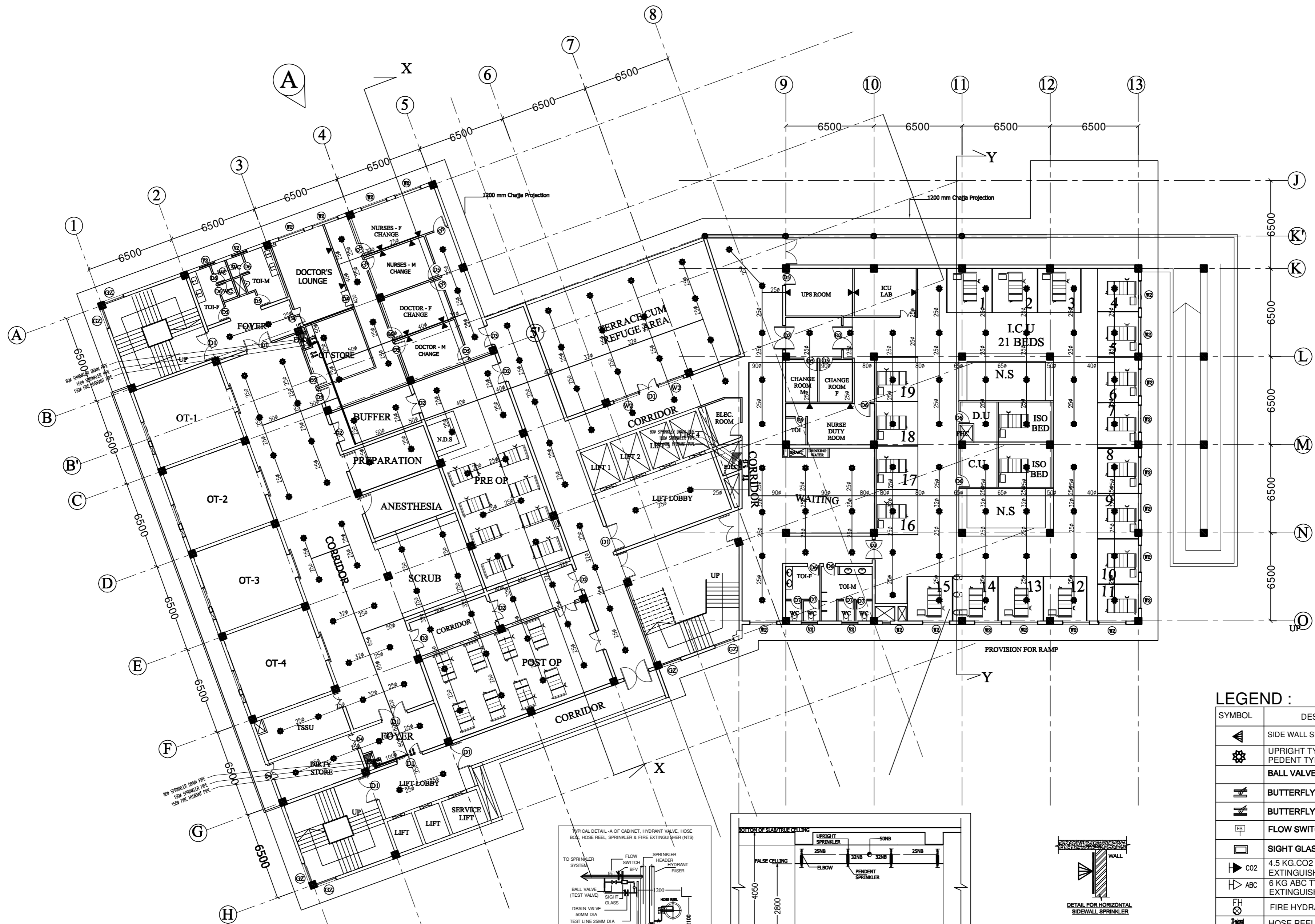
MEDICAL COLLEGE AT NAHAN,  
HIMACHAL PRADESH

HOSPITAL  
BLOCK

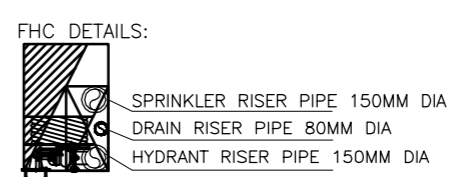
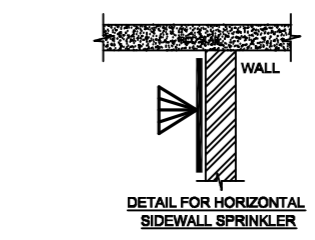
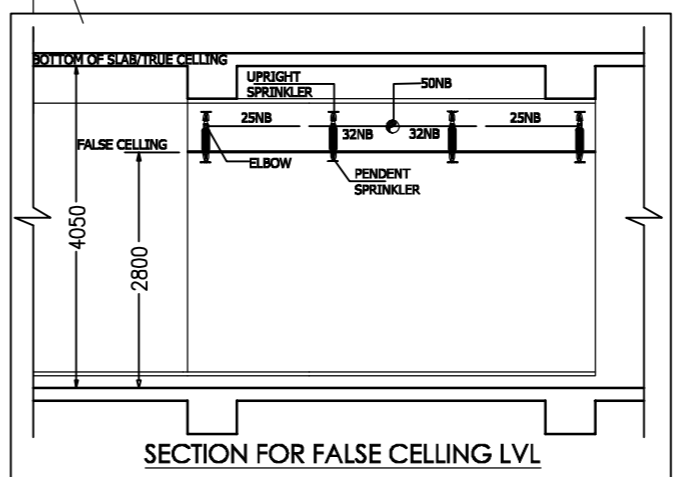
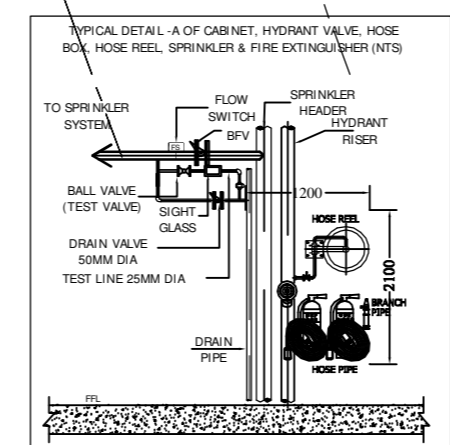
Tender Drawing  
Fire Fighting Drawing

FLOOR  
PLAN  
Date 23-08-2016

HSCC  
NEW DELHI INDIA



**SIXTH FLOOR PLAN**



**LEGEND :**

SYMBOL	DESCRIPTION
	SIDE WALL SPRINKLER
	UPRIGHT TYPE SPRINKLER / PENDENT TYPE SPRINKLER
	BALL VALVE 25MM DIA
	BUTTERFLY VALVE 150MM DIA
	BUTTERFLY VALVE 50MM DIA
	FLOW SWITCH
	SIGHT GLASS
	4.5 KG. CO2 TYPE EXTINGUISHER
	6 KG ABC TYPE EXTINGUISHER
	FIRE HYDRANT
	HOSE REEL 20MM X 36 MTRS.
	BRNCH PIPE 63MM DIA
	RRL HOSE PIPE 63X15-MTRS
	FIRE HOSE CABINET

**MEDICAL COLLEGE AT NAHAN, HIMACHAL PRADESH**

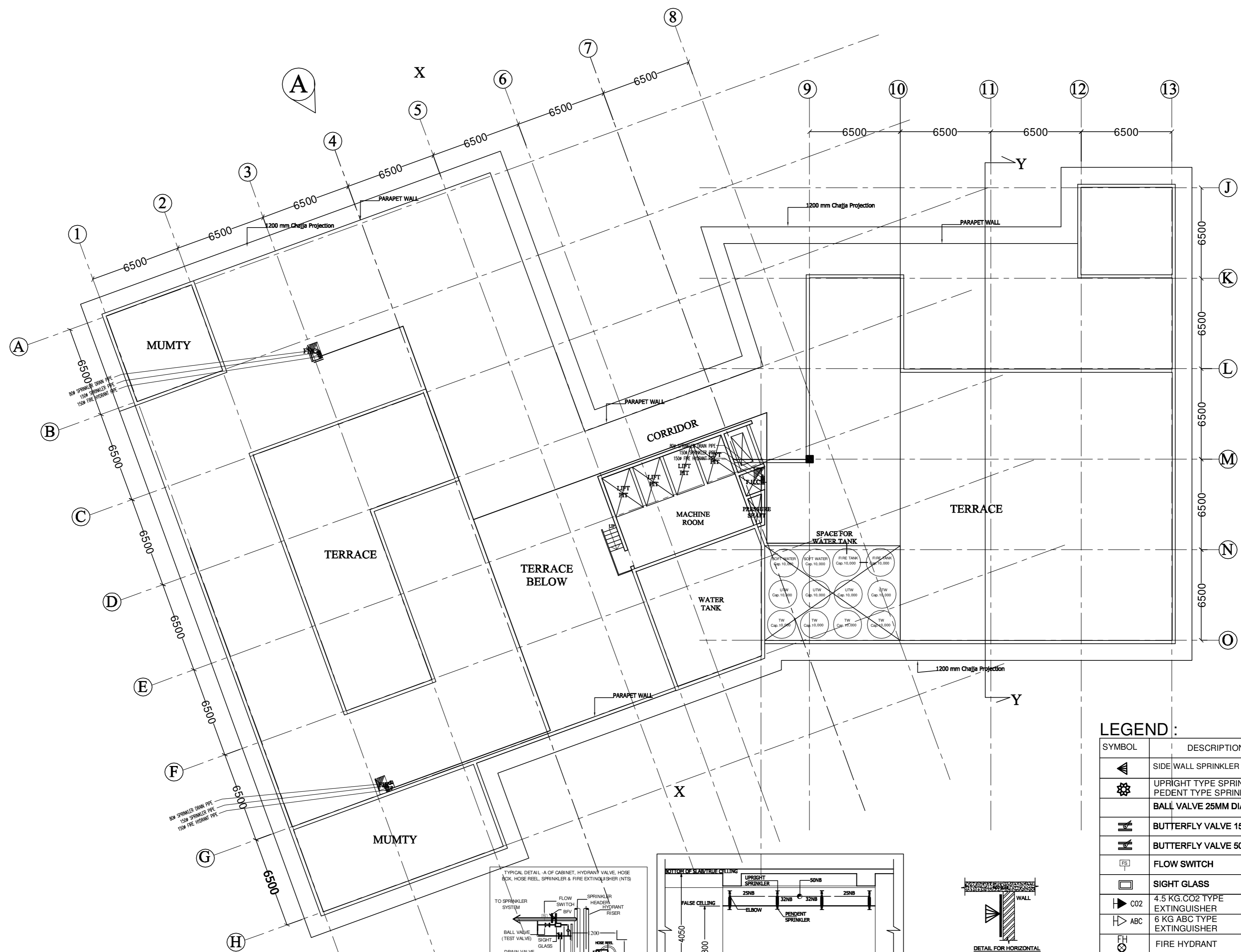
**HOSPITAL BLOCK**

Tender Drawing  
Fire Fighting Drawing

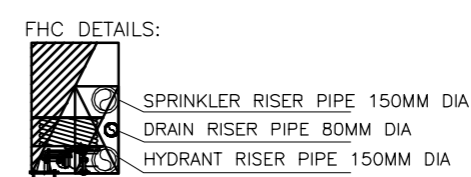
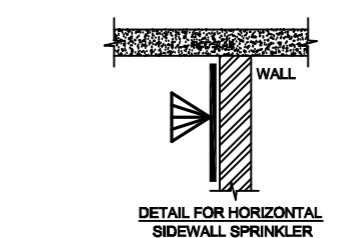
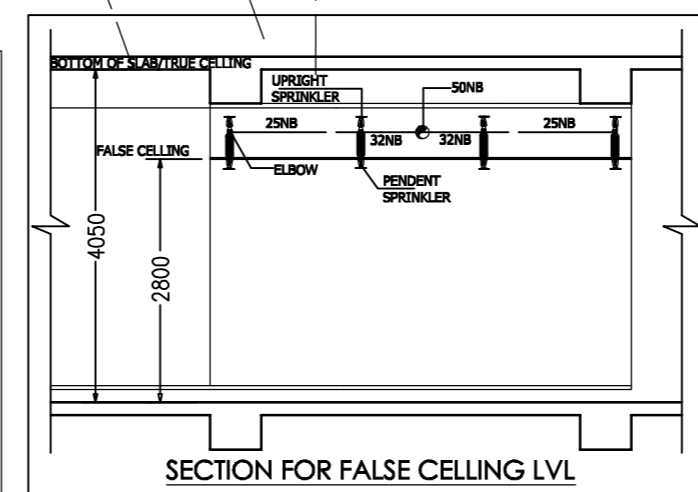
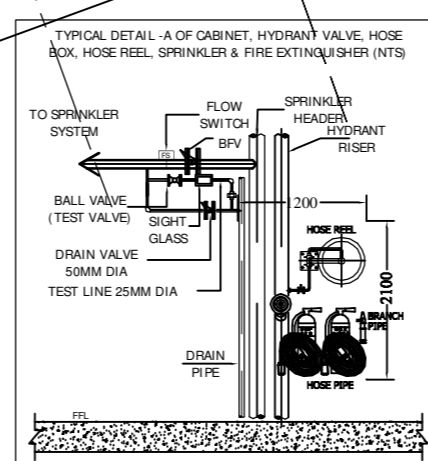
FLOOR PLAN  
Date 23-08-2016

**HSCC**  
NEW DELHI INDIA



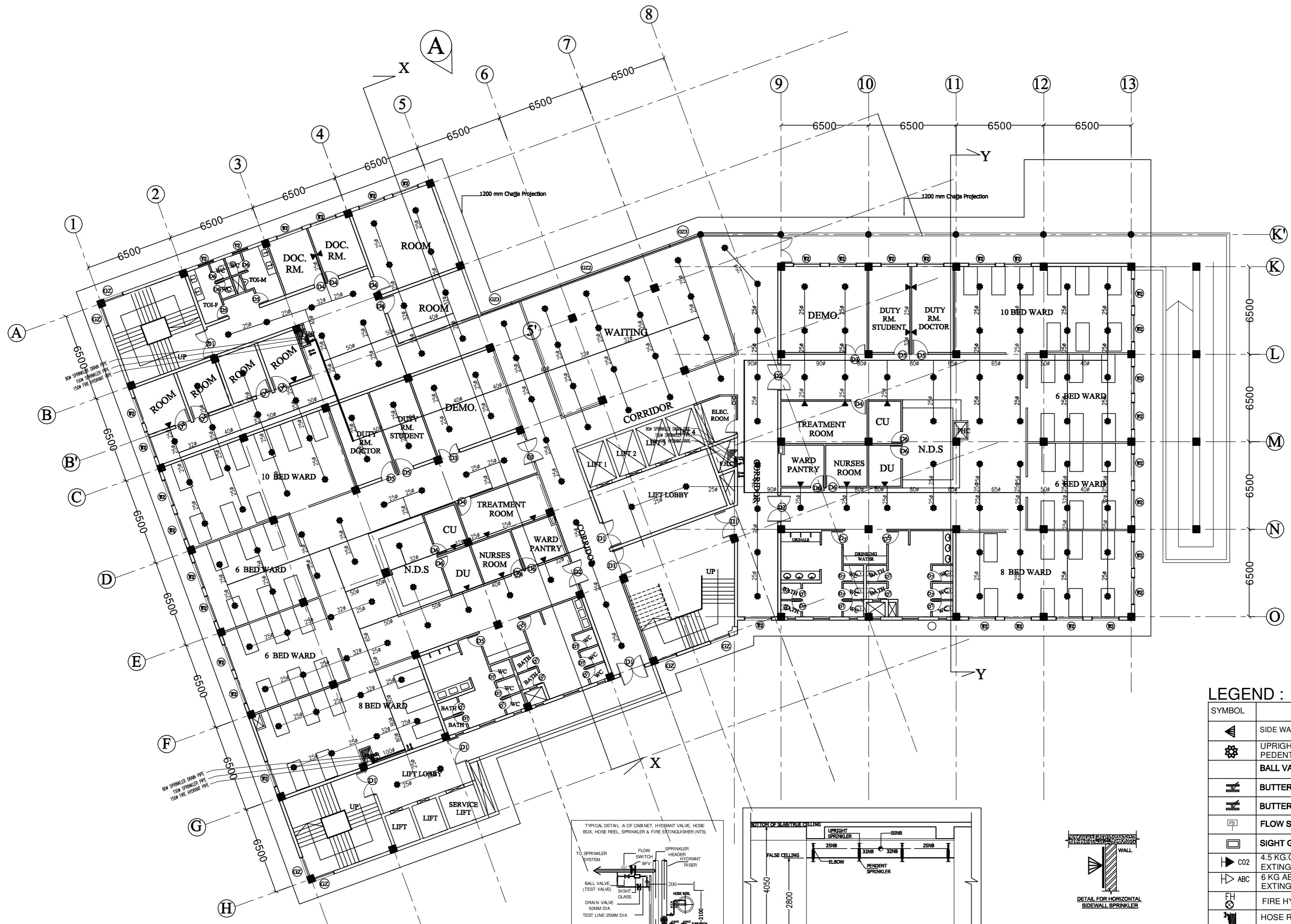


TERRACE FLOOR PLAN



LEGEND :

SYMBOL	DESCRIPTION
	SIDE WALL SPRINKLER
	UPRIGHT TYPE SPRINKLER / PENDENT TYPE SPRINKLER
	BALL VALVE 25MM DIA
	BUTTERFLY VALVE 150MM DIA
	BUTTERFLY VALVE 50MM DIA
	FLOW SWITCH
	SIGHT GLASS
	4.5 KG. CO2 TYPE EXTINGUISHER
	6 KG ABC TYPE EXTINGUISHER
	FIRE HYDRANT
	HOSE REEL 20MM X 36 MTRS.
	BRNCH PIPE 63MM DIA
	RRL HOSE PIPE 63X15-MTRS
	FIRE HOSE CABINET



THIRD TO FIFTH FLOOR PLAN

LEGEND :

SYMBOL	DESCRIPTION
	SIDE WALL SPRINKLER
	UPRIGHT TYPE SPRINKLER / PENDING TYPE SPRINKLER
	BALL VALVE 25MM DIA
	BUTTERFLY VALVE 150MM DIA
	BUTTERFLY VALVE 50MM DIA
	FLOW SWITCH
	SIGHT GLASS
	4.5 KG. CO2 TYPE EXTINGUISHER
	6 KG ABC TYPE EXTINGUISHER
	FIRE HYDRANT
	HOSE REEL 20MM X 36 MTRS.
	BRANCH PIPE 63MM DIA
	RRL HOSE PIPE 63X15-MTRS
	FIRE HOSE CABINET

MEDICAL COLLEGE AT NAHAN,  
HIMACHAL PRADESH

HOSPITAL  
BLOCK

Tender Drawing  
Fire Fighting Drawing

FLOOR  
PLAN  
Date 23-08-2016

**HSCC**  
NEW DELHI INDIA

285

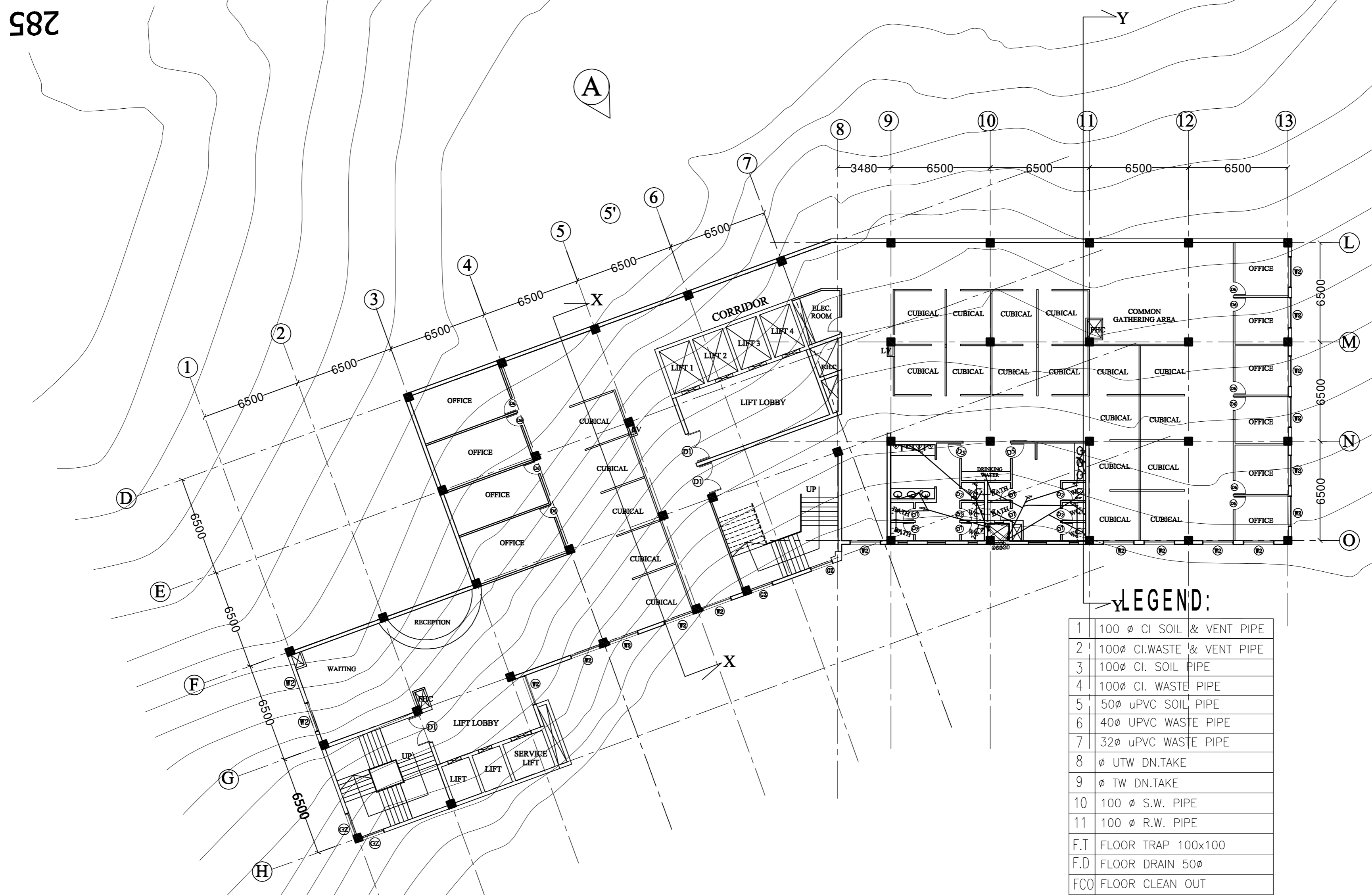
284

283

282

280

77 278 279 LL



-1 FLOOR LVL. PLAN

LEGEND:

1	100 $\phi$ CI SOIL & VENT PIPE
2	100 $\phi$ CI.WASTE & VENT PIPE
3	100 $\phi$ CI. SOIL PIPE
4	100 $\phi$ CI. WASTE PIPE
5	50 $\phi$ uPVC SOIL PIPE
6	40 $\phi$ UPVC WASTE PIPE
7	32 $\phi$ uPVC WASTE PIPE
8	$\phi$ UTW DN.TAKE
9	$\phi$ TW DN.TAKE
10	100 $\phi$ S.W. PIPE
11	100 $\phi$ R.W. PIPE
F.T	FLOOR TRAP 100x100
F.D	FLOOR DRAIN 50 $\phi$
FCO	FLOOR CLEAN OUT
COP	CLEAN OUT PLUG
	VALVE
MH	MANHOLE (900x800)mm
GT	GULLY TRAP(300X300)mm

MEDICAL COLLEGE AT NAHAN,  
HIMACHAL PRADESH

HOSPITAL  
BLOCK

Tender Drawing  
Plumbing Drawing

FLOOR  
PLAN  
Date 23-08-2016

**HSCC**  
NEW DELHI INDIA

285

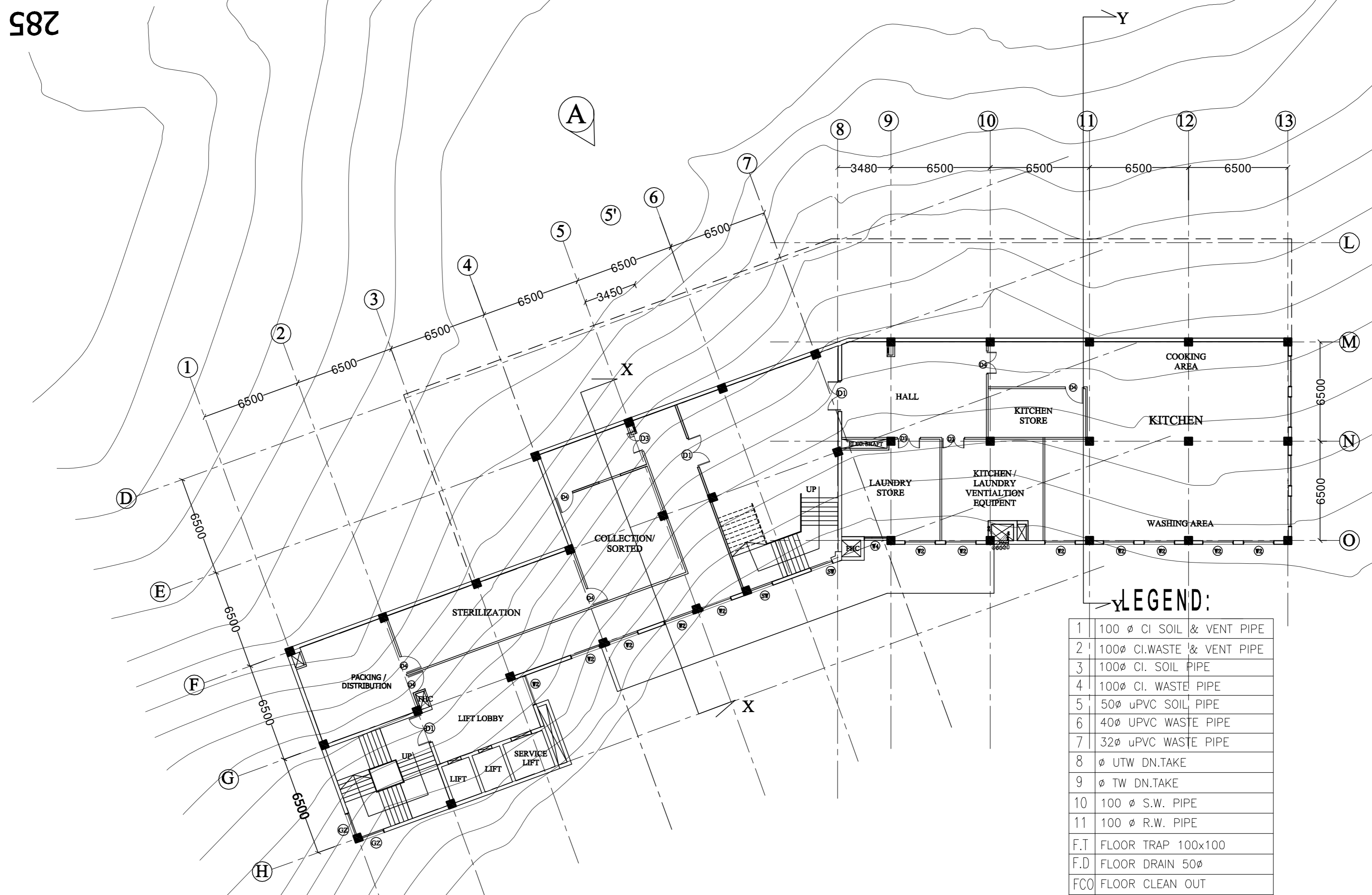
284

283

282

280

77 278 279 77



-2 FLOOR LVL. PLAN

LEGEND:

1	100 $\phi$ CI SOIL & VENT PIPE
2	100 $\phi$ CI.WASTE & VENT PIPE
3	100 $\phi$ CI. SOIL PIPE
4	100 $\phi$ CI. WASTE PIPE
5	50 $\phi$ uPVC SOIL PIPE
6	40 $\phi$ UPVC WASTE PIPE
7	32 $\phi$ uPVC WASTE PIPE
8	$\phi$ UTW DN.TAKE
9	$\phi$ TW DN.TAKE
10	100 $\phi$ S.W. PIPE
11	100 $\phi$ R.W. PIPE
F.T	FLOOR TRAP 100x100
F.D	FLOOR DRAIN 50 $\phi$
FCO	FLOOR CLEAN OUT
COP	CLEAN OUT PLUG
X	VALVE
MH	MANHOLE (900x800)mm
GT	GULLY TRAP(300X300)mm

MEDICAL COLLEGE AT NAHAN,  
HIMACHAL PRADESH

HOSPITAL  
BLOCK

Tender Drawing  
Plumbing Drawing

FLOOR  
PLAN

Date 23-08-2016

**HSCC**  
NEW DELHI INDIA